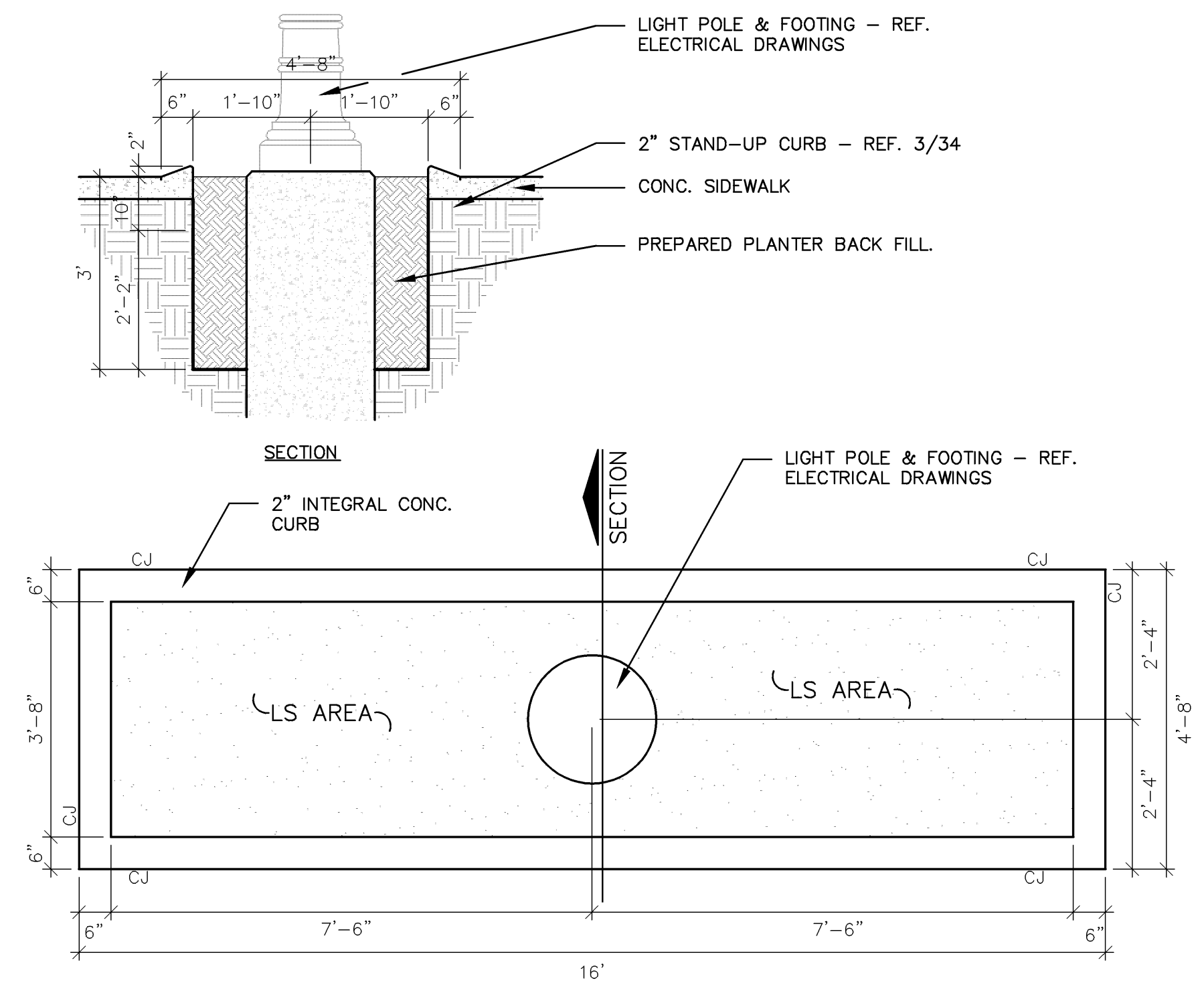
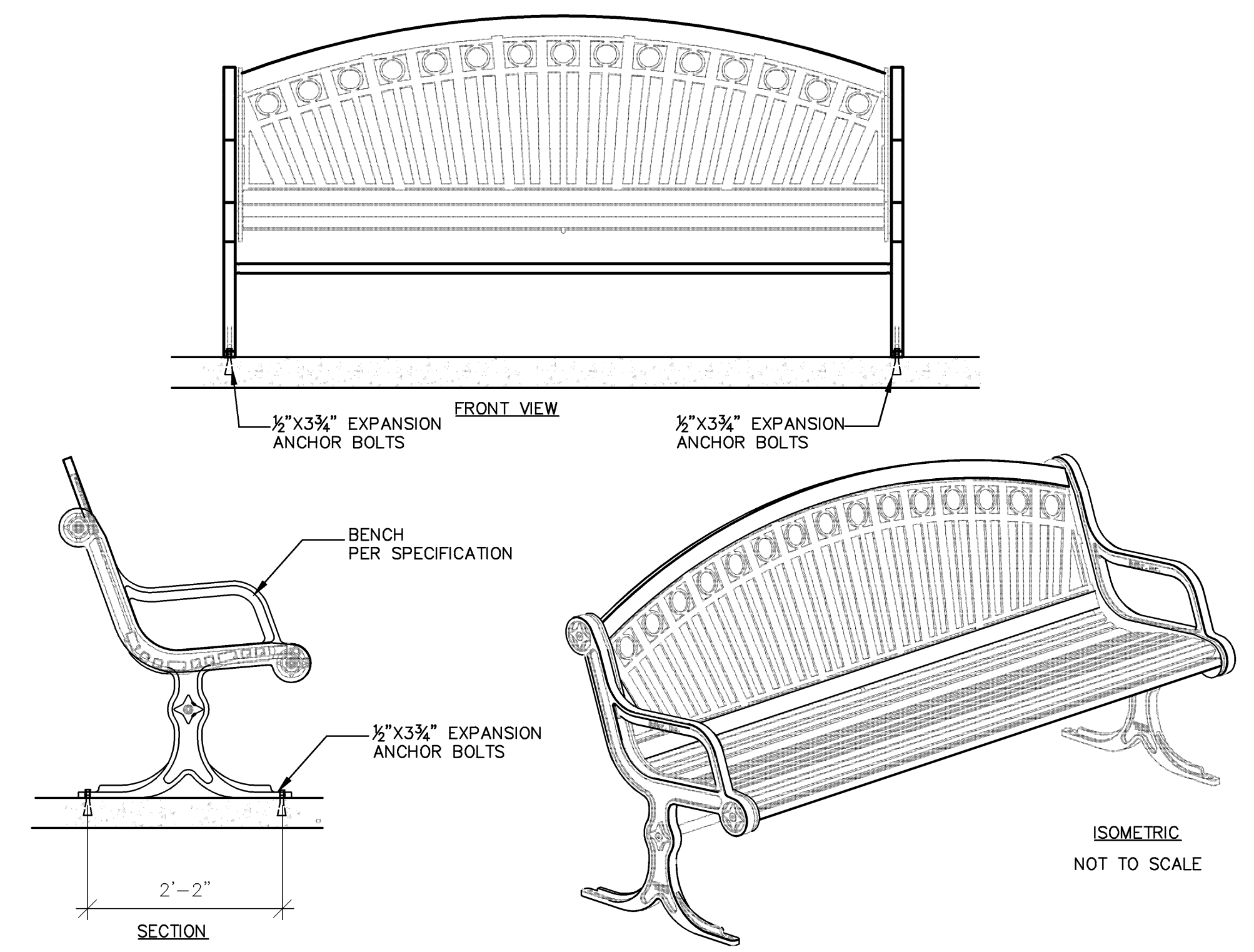


STATE	PROJECT NO.	YEAR	SHEET NO.	TOTAL SHEETS
KANSAS	472-84295	2010	35	194

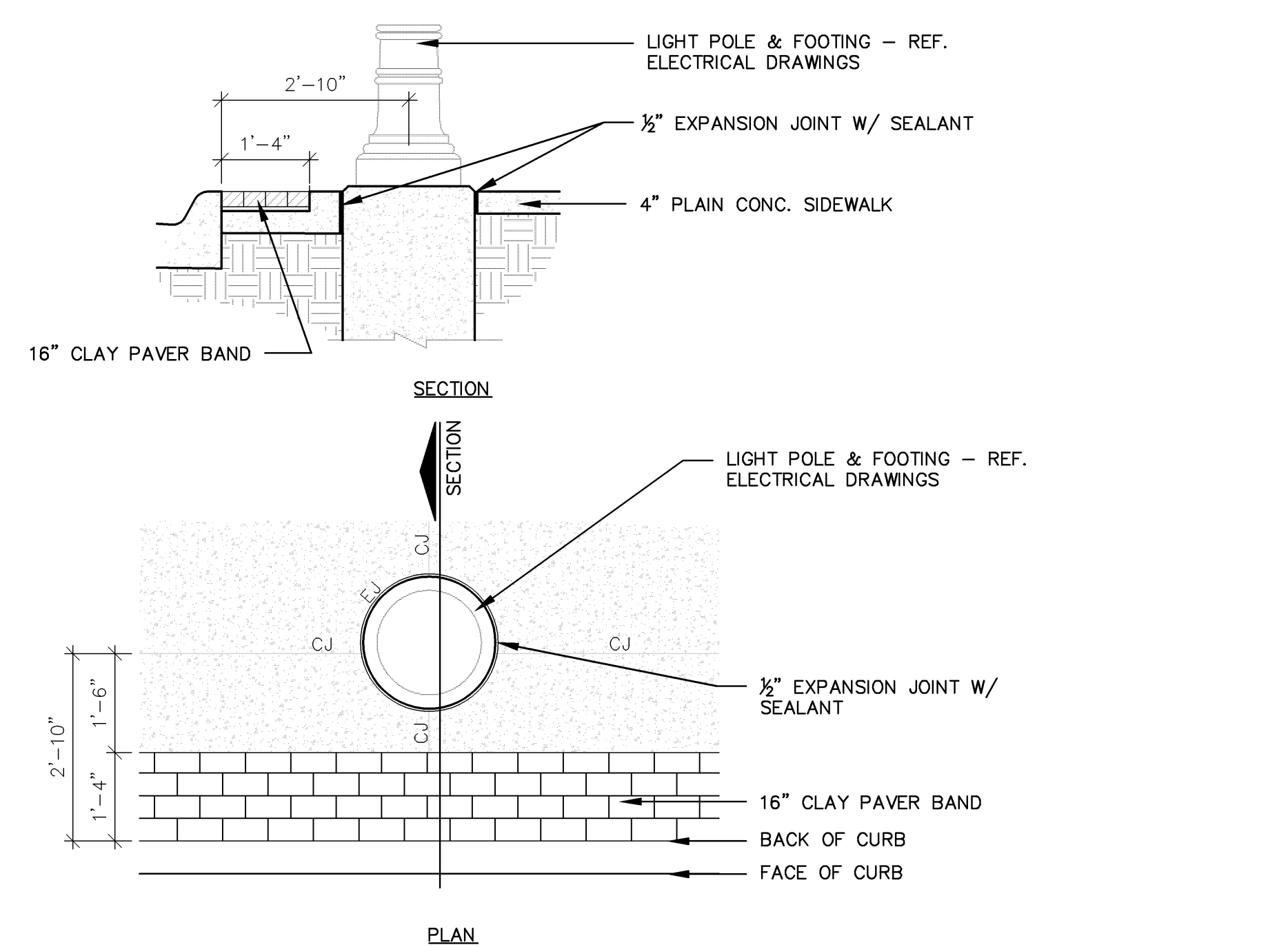
DATE	
BY	
REFERENCES NOTED	
REFERENCES CHECKED	



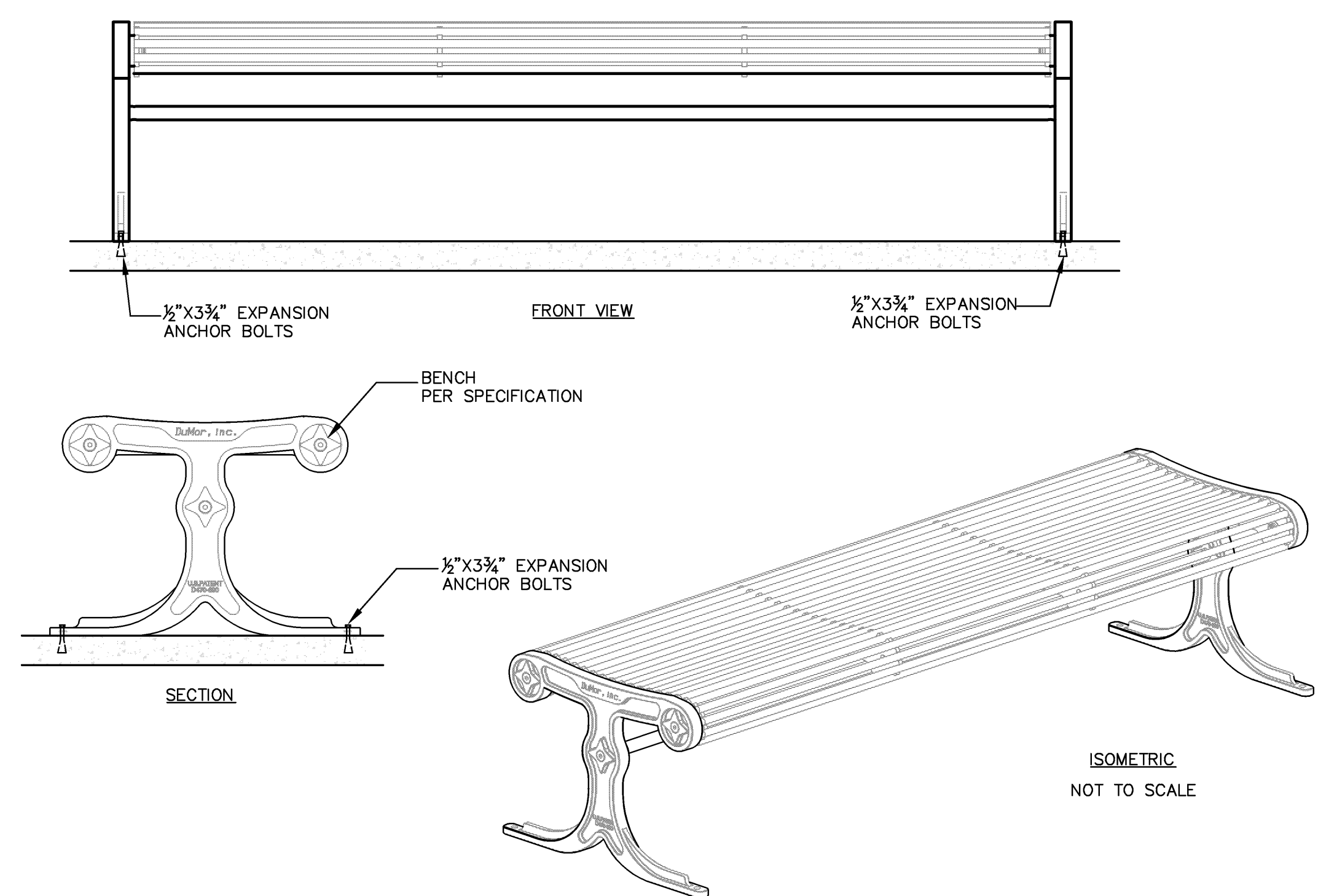
1 LIGHT POLE PLANTER
1/2" = 1'-0"



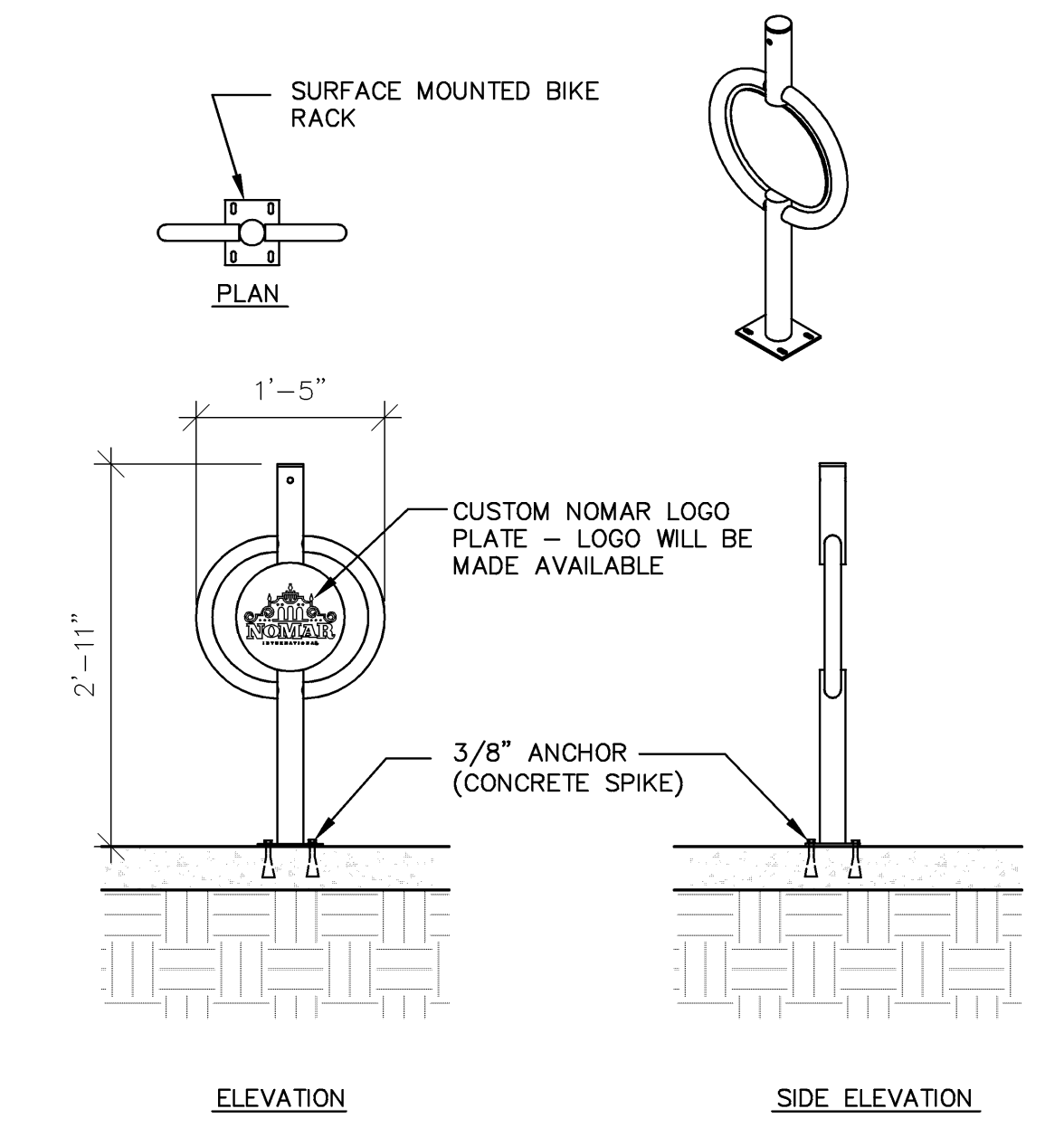
3 BENCH DETAIL
3/4" = 1'-0"



2 LIGHT POLE DETAIL
1/2" = 1'-0"



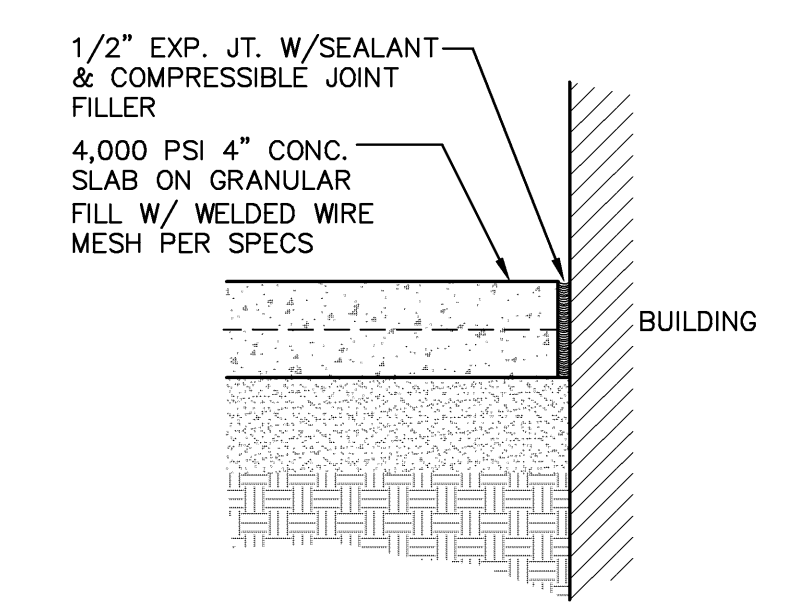
4 BENCH DETAIL - BACKLESS
3/4" = 1'-0"



5 BIKE RACK DETAIL
NOTE: LOGO SHALL BE PROVIDED IN ELECTRONIC FORMAT 3/4"=1'-0" TO THE CONTRACTOR



6 NOMAR LOGO
FOR REFERENCE ONLY NTS



7 SIDEWALK ISOLATION JOINT
1 1/2" = 1'-0"

<p>LAW/KINGDON, INC. ARCHITECTS, ENGINEERS, PLANNERS & LANDSCAPE ARCHITECTS</p>	<p>PROJECT NO. 472-84295</p>	<p>CITY OF WICHITA 21ST STREET NORTH & BROADWAY AVENUE INTERSECTION</p>	
		<p>SITE DETAILS WICHITA, KANSAS</p>	
<p>DATE</p>	<p>DESIGNED: J.A.B./W.A.W</p>	<p>DRAWN: W.A.W</p>	<p>DATE</p>
<p>DATE</p>	<p>CHECKED: J.A.B</p>	<p>DATE</p>	<p>01-11-2010</p>