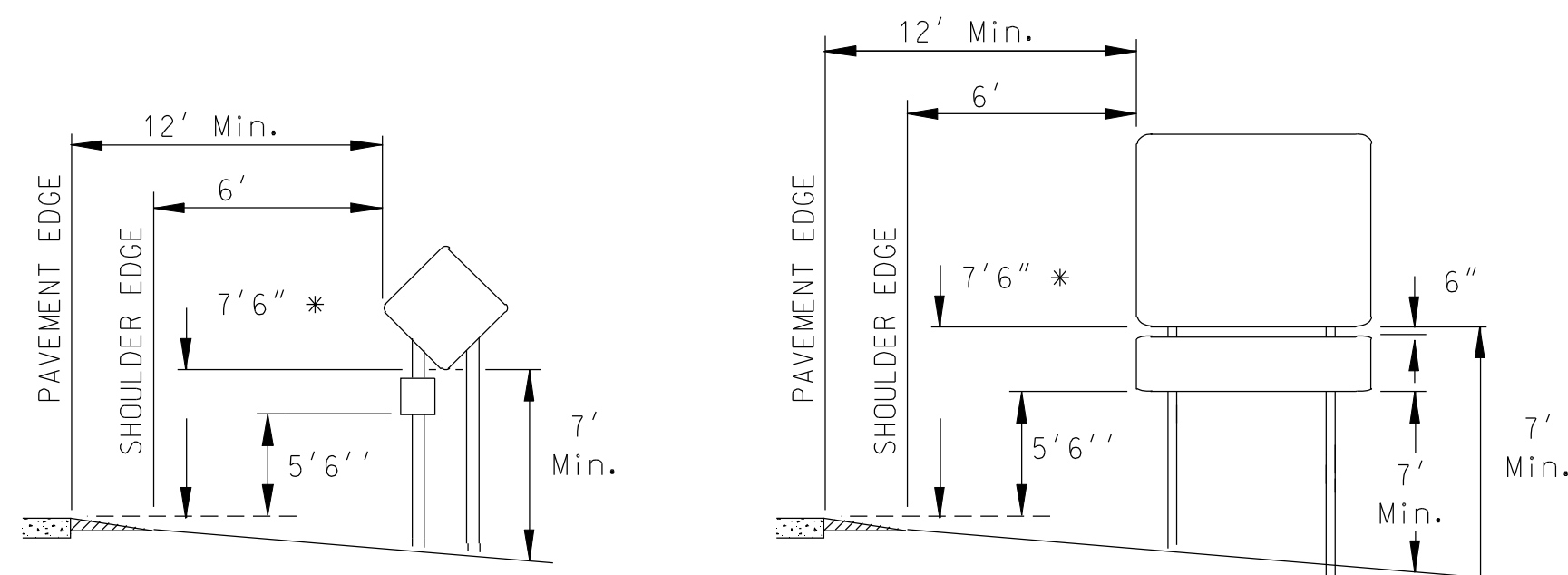
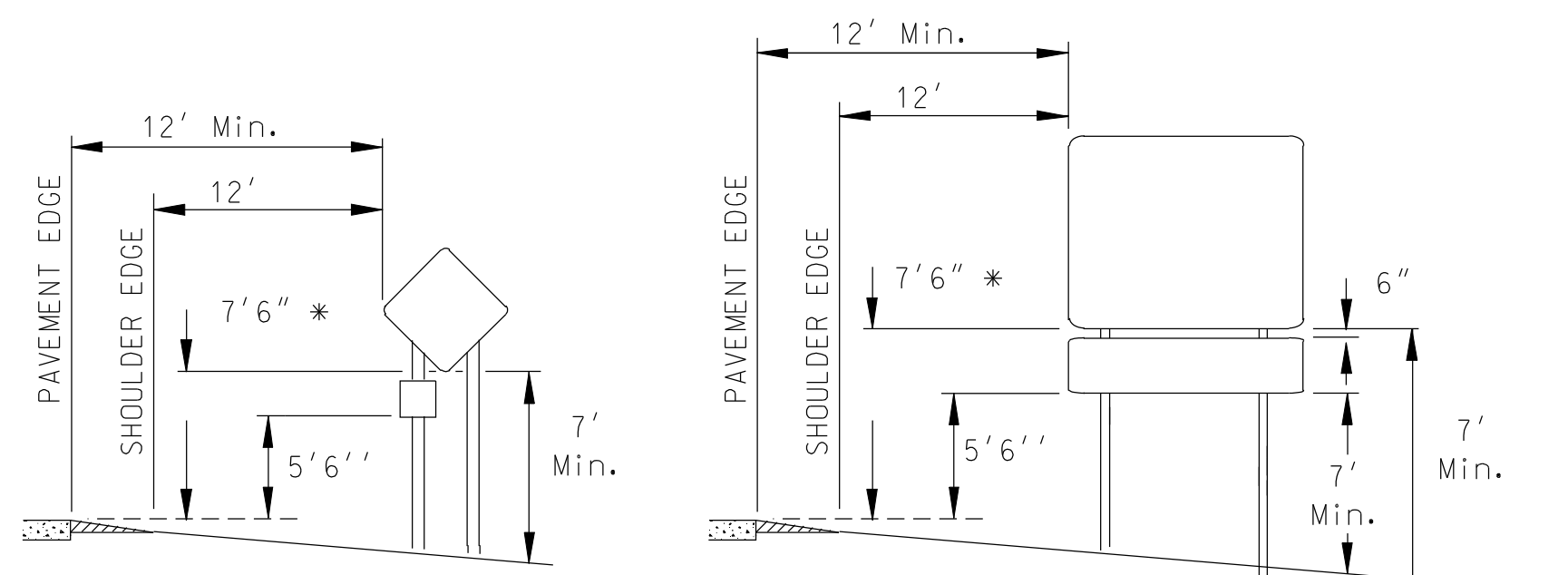


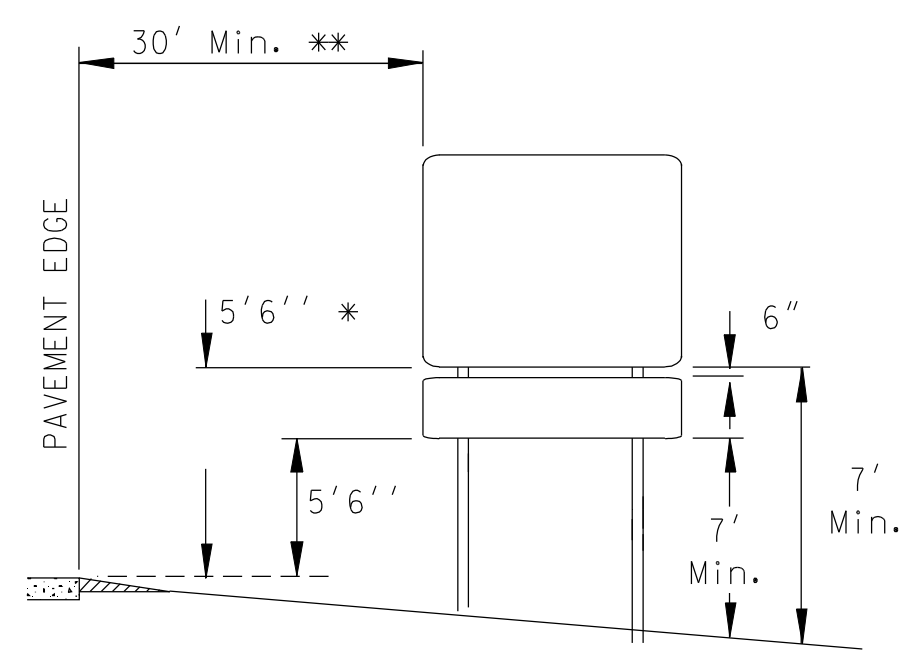
CONVENTIONAL ROADWAY



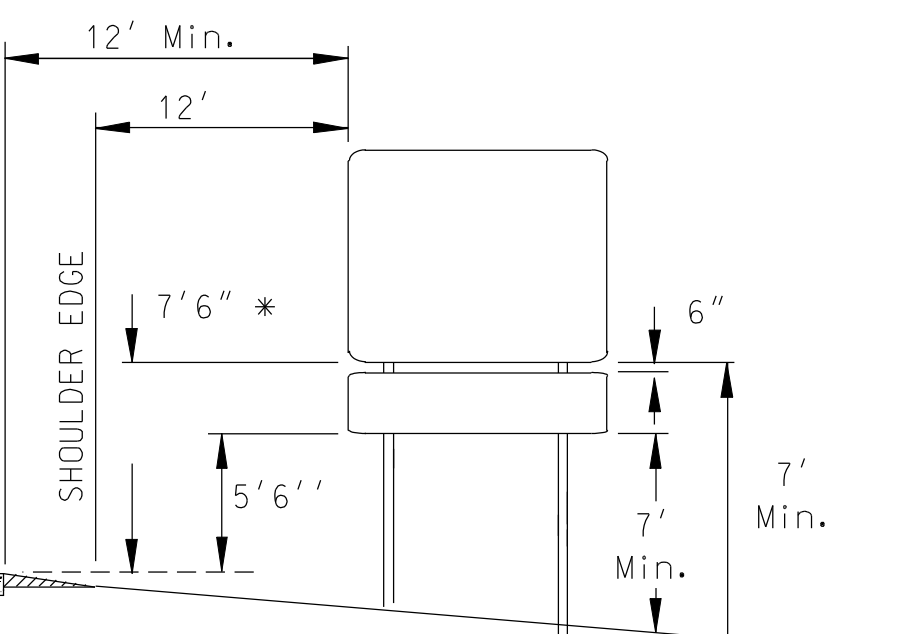
FREWAY AND EXPRESSWAY ROADWAY
RAMPS AND SIDE ROADS



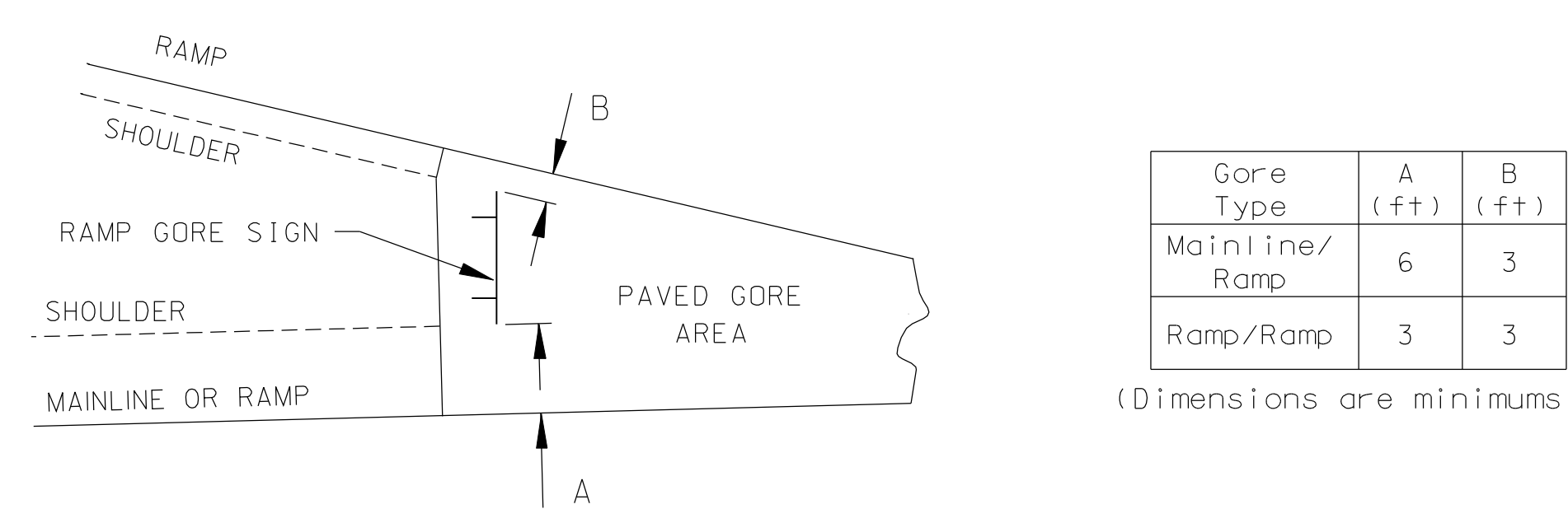
FREWAY AND EXPRESSWAY ROADWAY



FREWAY AND EXPRESSWAY ROADWAY

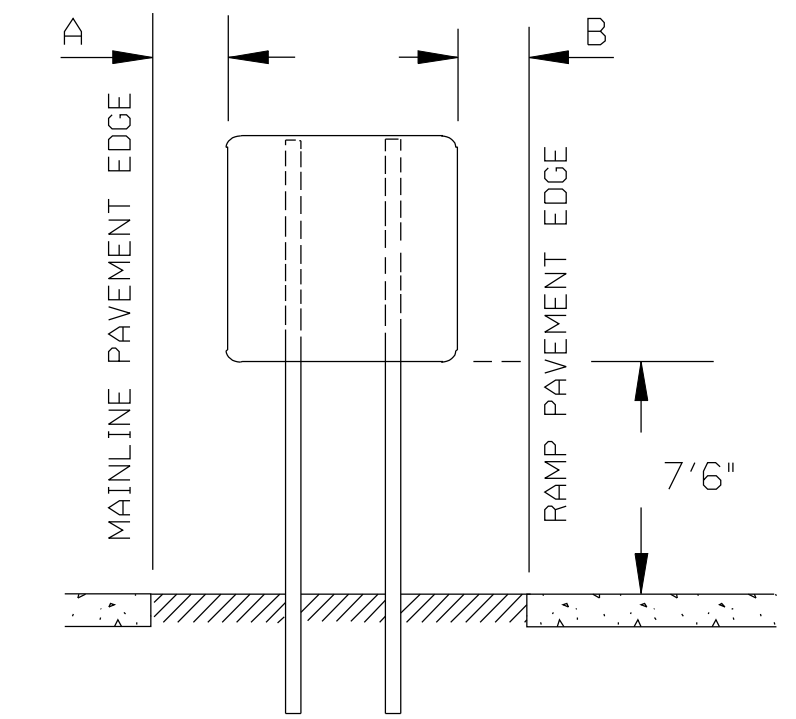


Shoulder Mount

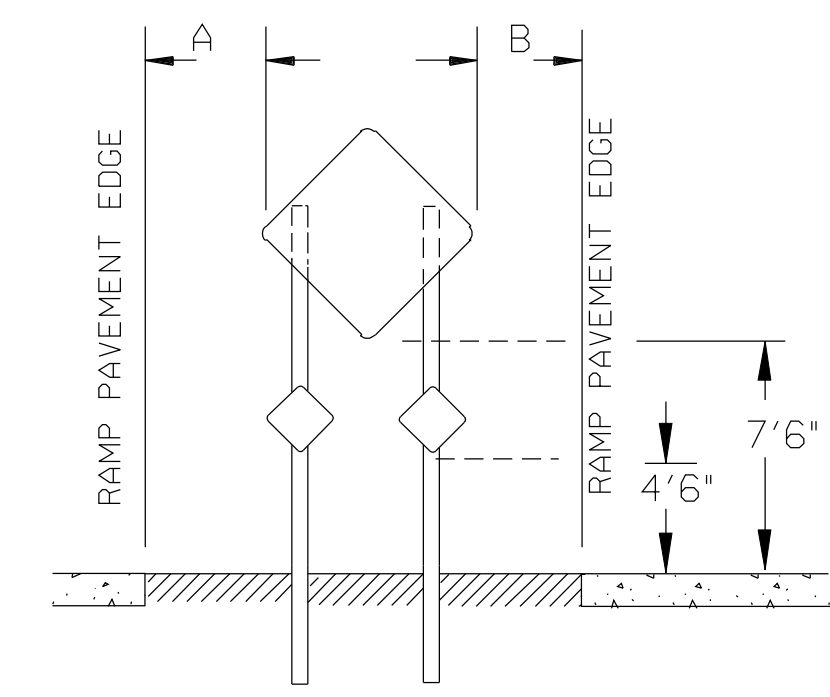


Gore Type	A (ft)	B (ft)
Mainline/Ramp	6	3
Ramp/Ramp	3	3

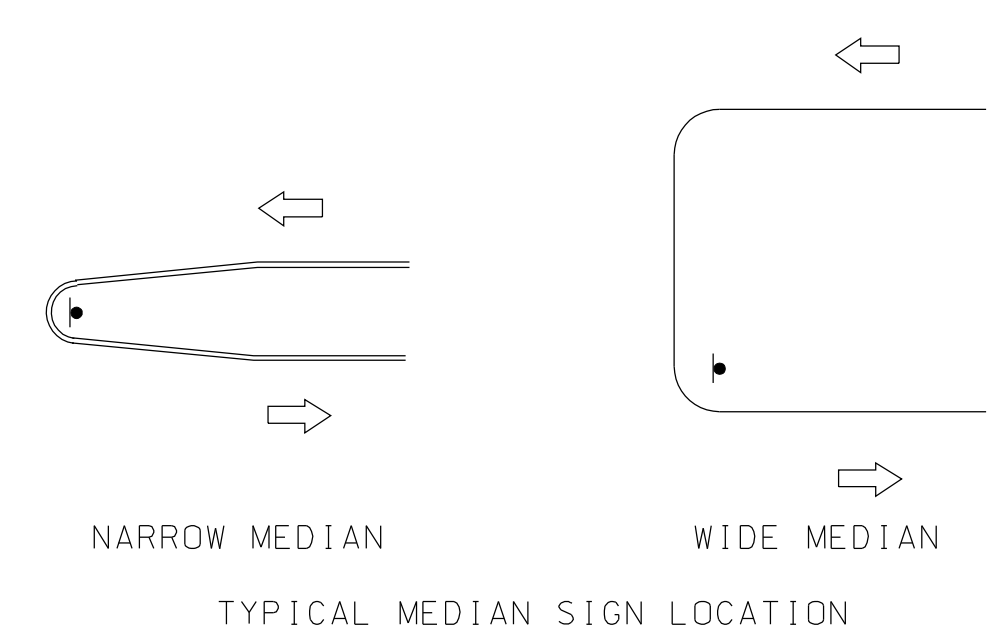
(Dimensions are minimums)



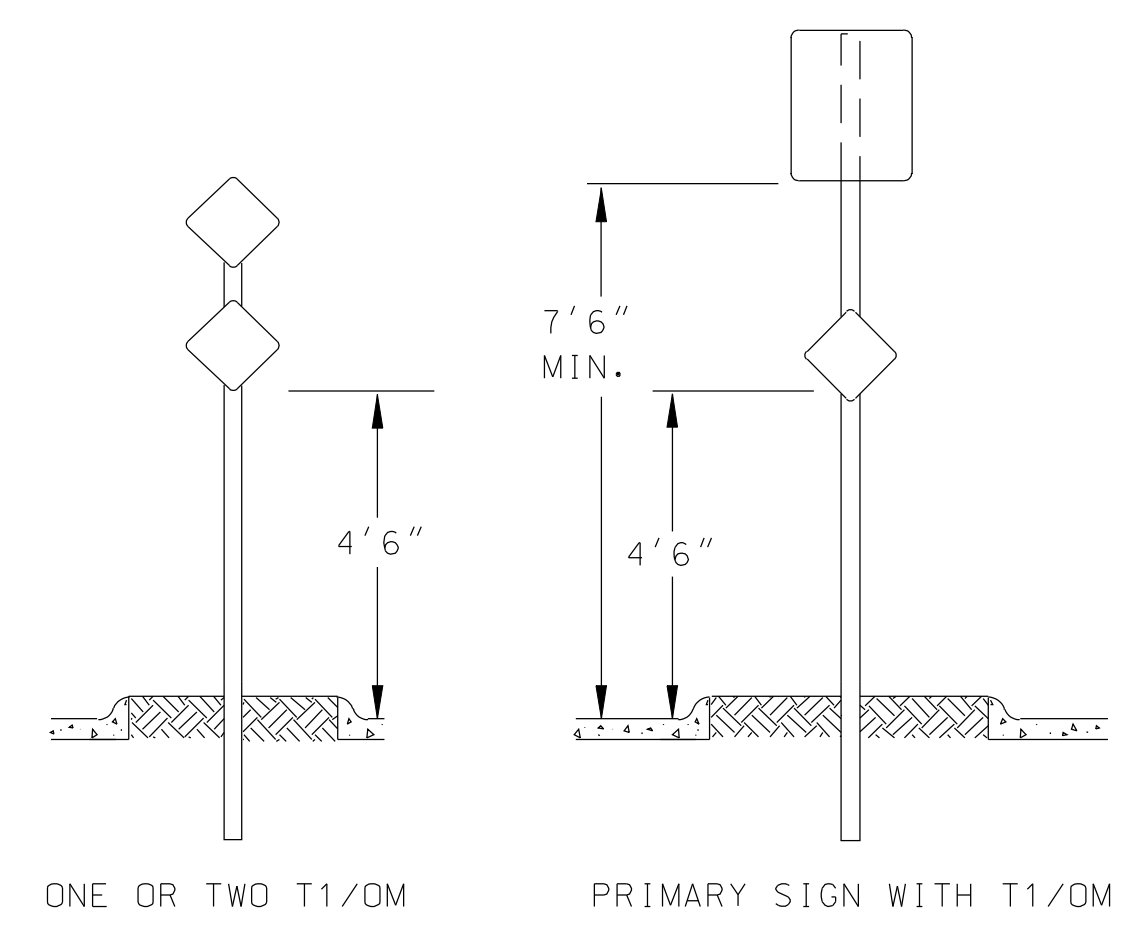
GORE INSTALLED SIGN
(MAINLINE/RAMP)



GORE INSTALLED SIGN
WITH TWO T1/OM'S
(RAMP/RAMP)

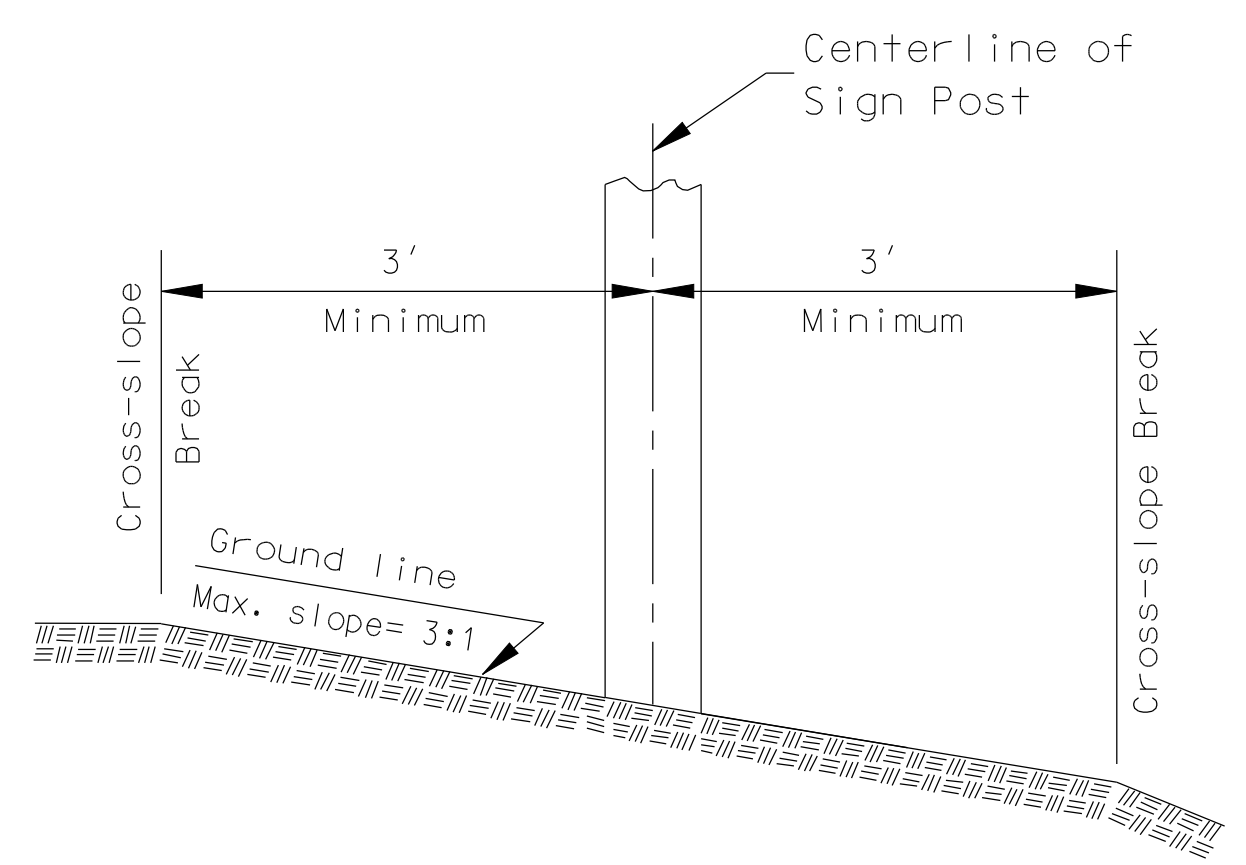


TYPICAL MEDIAN SIGN LOCATION



ONE OR TWO T1/OM

PRIMARY SIGN WITH T1/OM



POST PLACEMENT CRITERIA
(CROSS-SLOPE BREAK)

NOTES:

The outer edge of the sign, on expressways and freeways, shall be a minimum of 10 feet from the Right of Way line.

In business, commercial, or residential districts where lateral offsets are limited, a minimum lateral clearance of 2 feet with a 7'6" minimum mounting height may be used.

When signs are mounted behind guard fence, the near edge of the sign shall not extend beyond the back side of the guard fence and the nearest sign post shall be a minimum of 5 feet from the face of the guard fence. There shall not be any shoulder mounted signs located between 100 feet in advance of and 50 feet beyond the nose of the guard fence.

When signs are mounted in a median, the lateral placement should be the same as a shoulder mount. If the median is too narrow for this placement the sign may be placed a minimum of 2 feet from the back of the curb, but in no case shall the sign edge extend beyond the back edge of the curb. Signs located at the median nose should be set the same distance from the back of the curb as the radius of the media nose, but should not exceed the distance of the shoulder mount or be closer than 2 feet from the back of the curb.

The gore sign shall be installed in the footing blockout in the paved gore area. If no blockout is provided, then locate the gore sign at the plan station. The edges of the gore sign shall not extend beyond the shoulder edge. The minimum distance from the post centerline to the back edge of the paved gore area is 3 feet.

ADJUSTMENTS:

Signs may be moved laterally or longitudinally if it will improve the visibility of the sign or other signs and if it will protect the sign more.

The maximum allowable longitudinal adjustments of signs are:

- Advance Guide - 1320 feet
- Supplemental Guide - 1320 feet
- Motorist Service - 1320 feet
- Exit Direction - 100 feet
- Mileage - 2640 feet
- Merge or any signs in an interchange - 50 feet
- Milepost - 50 feet

If any sign with a distance is longitudinally adjusted, the distance to the destination shall be checked and modified as needed.

The minimum spacing between guide signs on an expressway or freeway is 800 feet.

The minimum spacing between signs on a ramp or conventional roadway is 100 feet.

Plotted By : danavarr
Plot File : g:\W\05\000\VR\ROAD\Y16\06.shx
Plot Date : 1/8/2010

3					
2					
1					
NO.	DATE	REVISIONS	BY	APP'D	
KANSAS DEPARTMENT OF TRANSPORTATION DETAILS FOR MOUNTING HEIGHTS, LATERAL OFFSETS, AND LONGITUDINAL ADJUSTMENTS					
TE406			07-01-03		
FHWA APPROVAL 07-22-2003		APP'D Steven A. Buckley			
DESIGNED DDG	DETAILED WSB	QUANTITIES	TRACED		
DESIGN CK. SAB	DETAIL CK. DDG	QUAN. CK.	TRACE CK.		