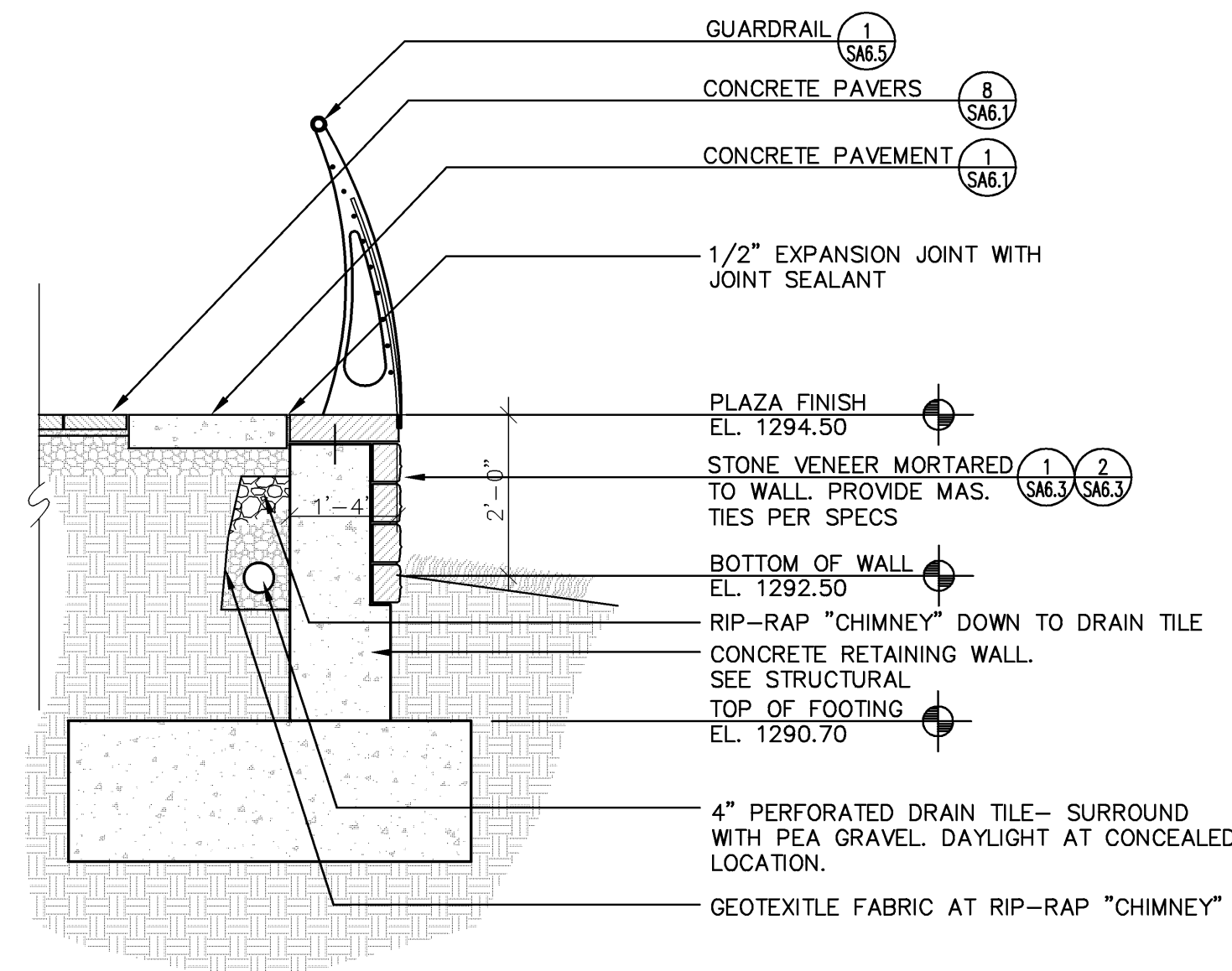
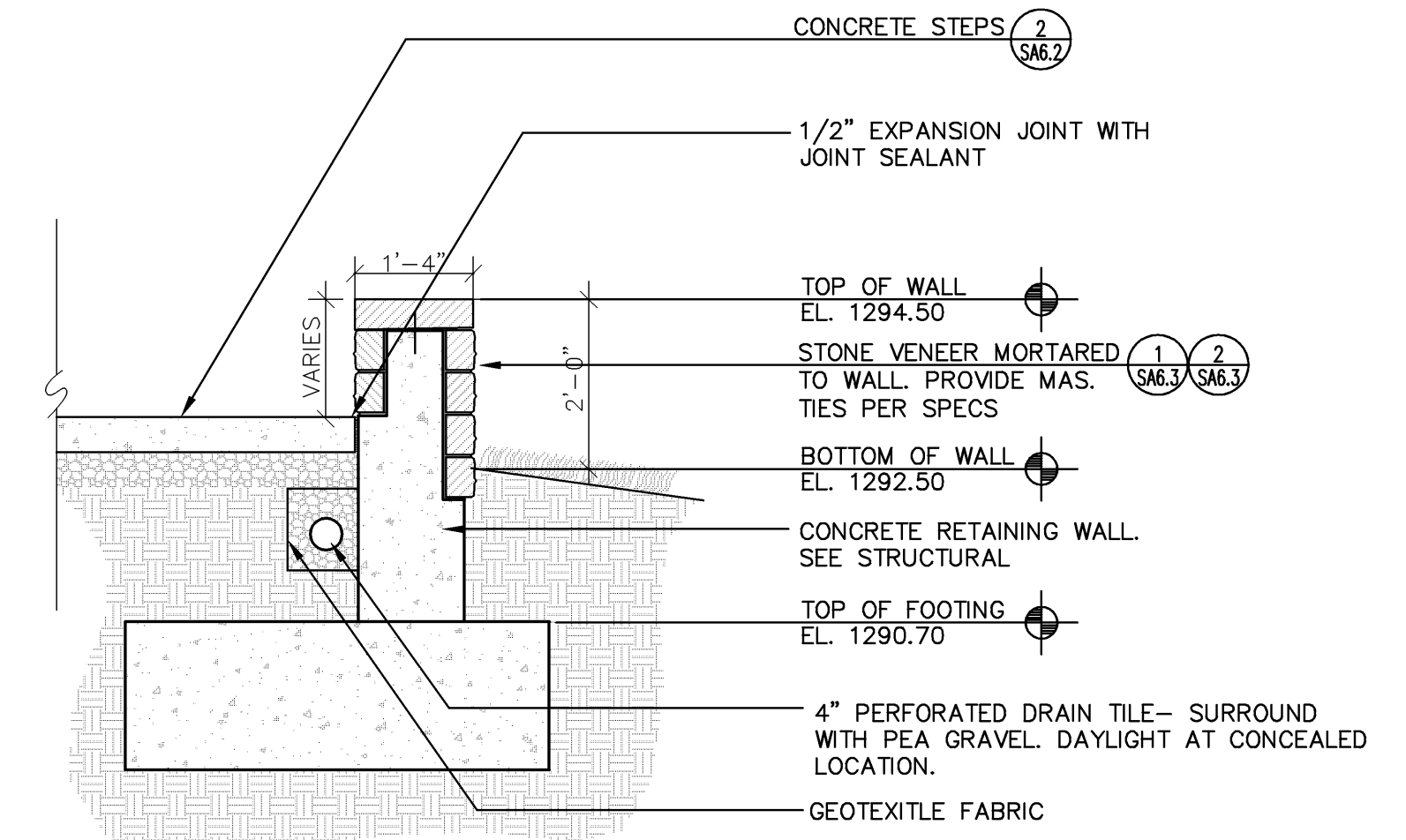


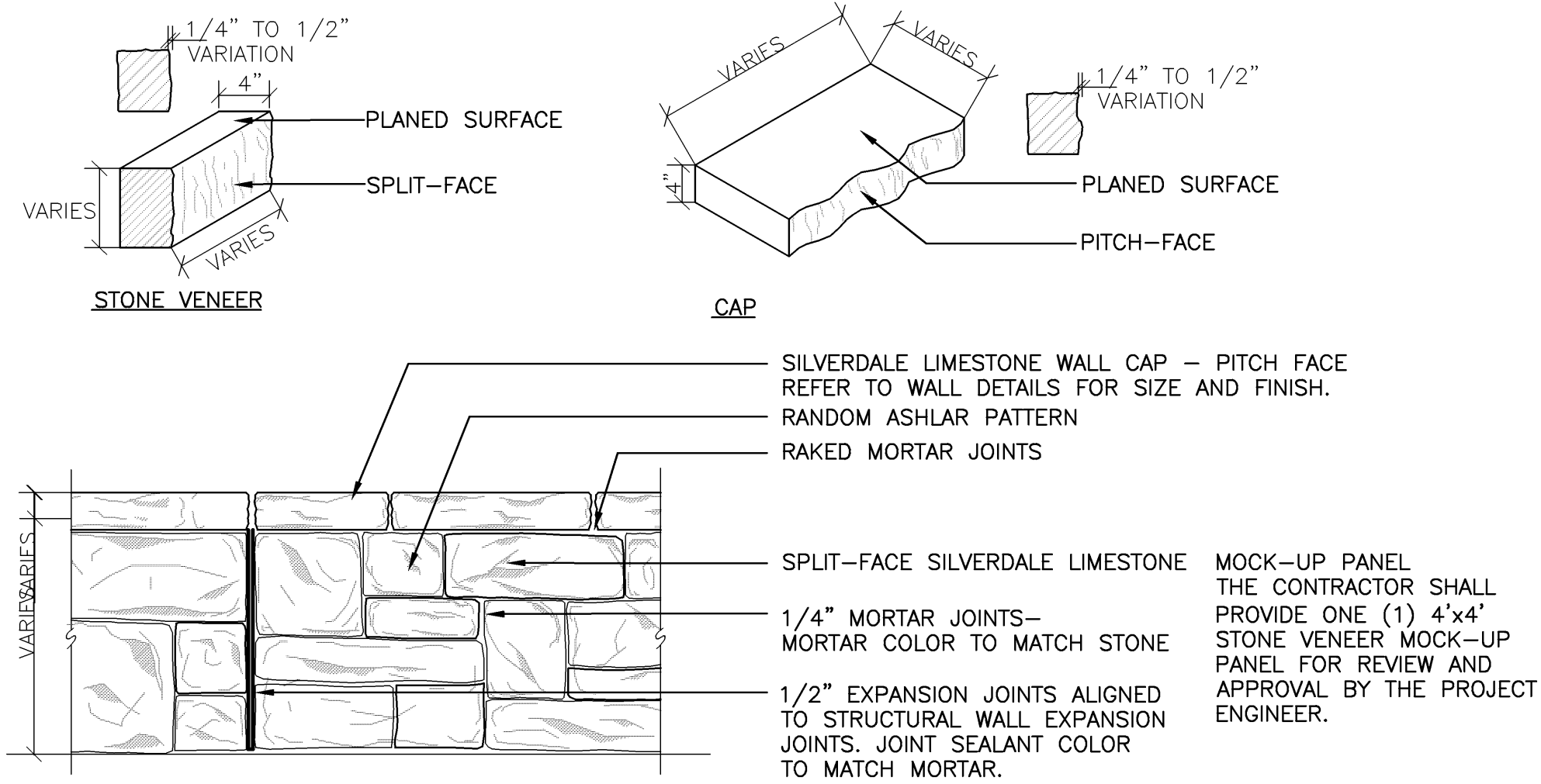
**1** TYP. STONE VENEER CONNECTION  
1" = 1'-0"



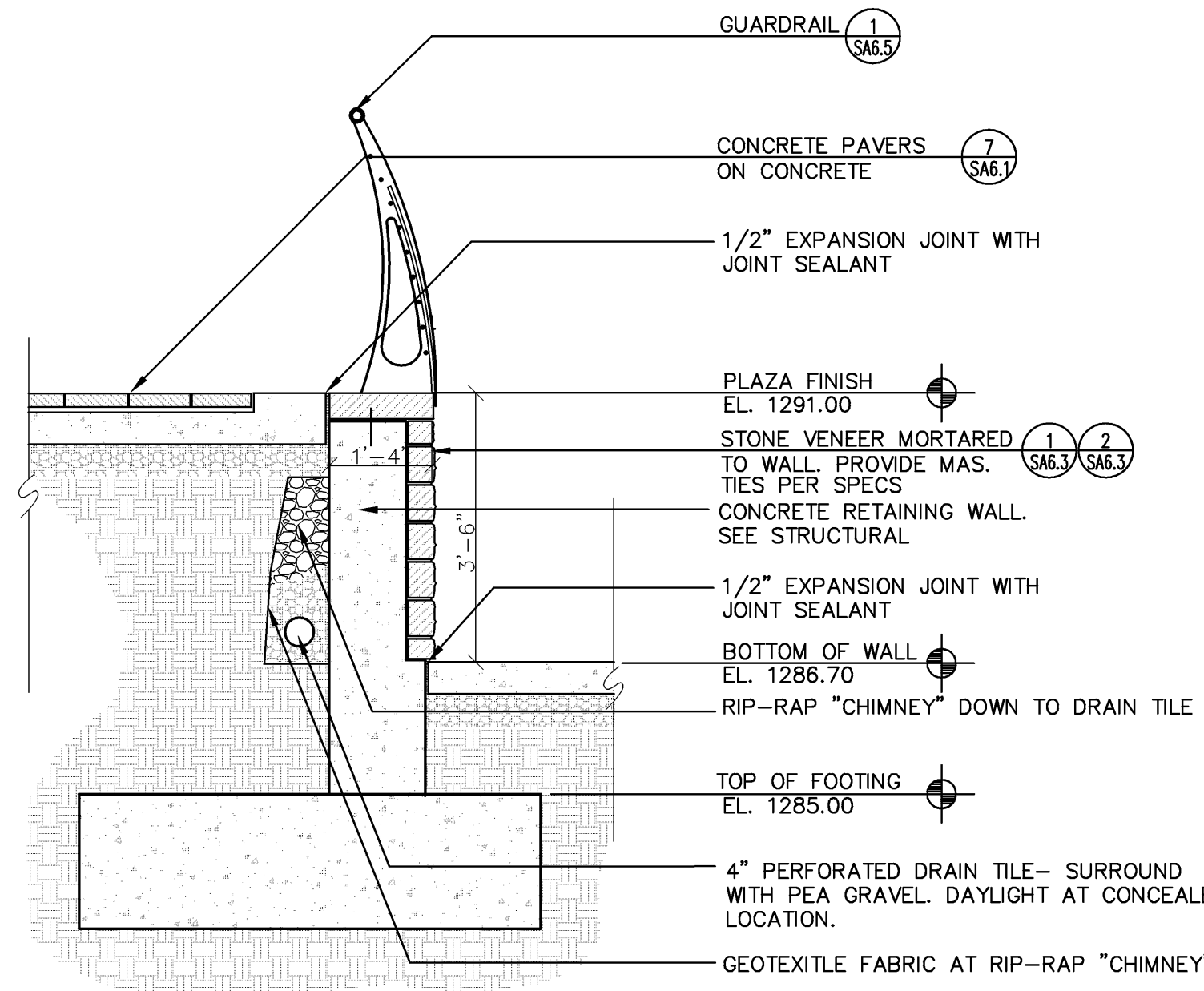
**3** SITE WALL 'B' - WITH GUARDRAIL  
SCALE: 1/2" = 1'-0"



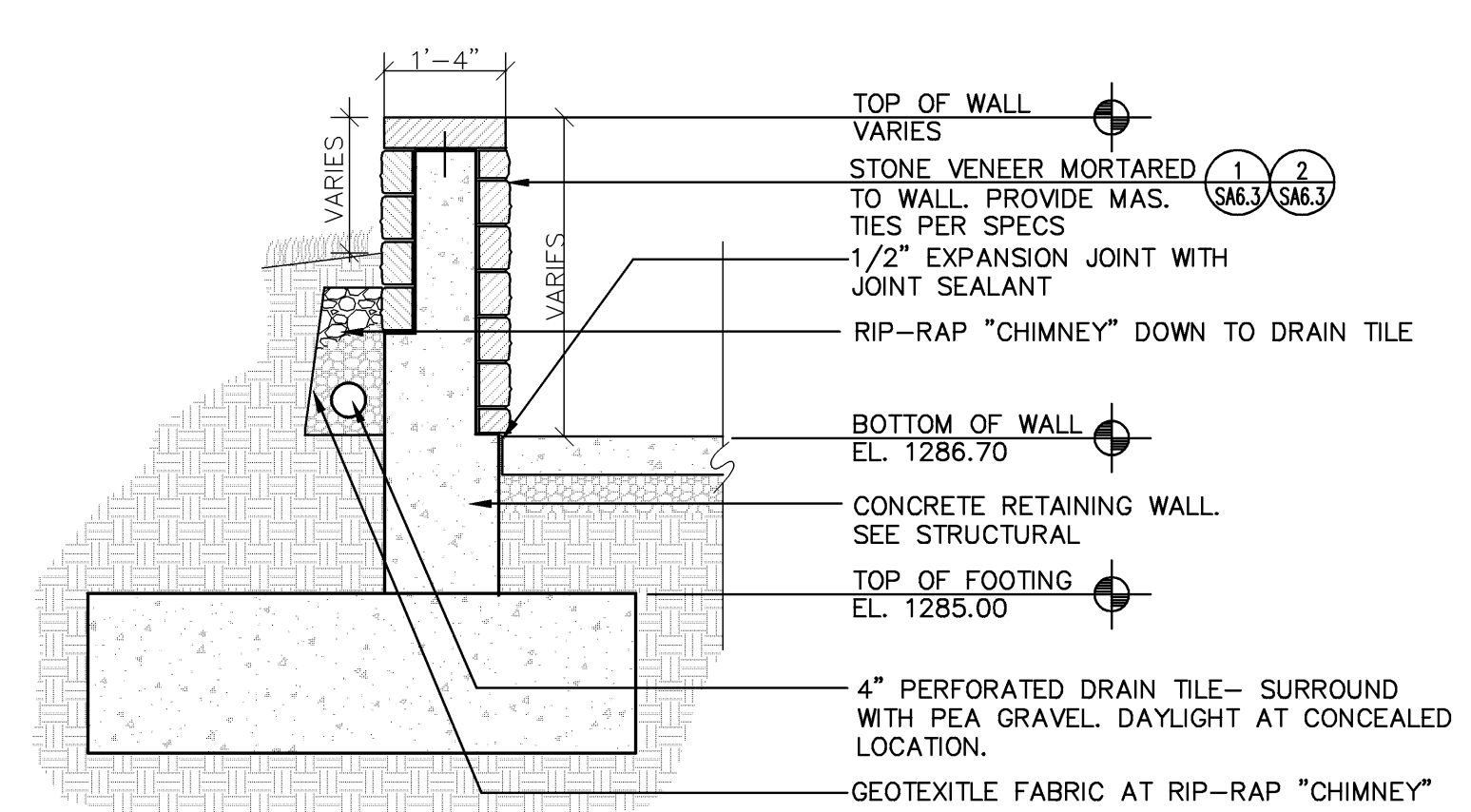
**5** SITE WALL 'B' - VENEER TWO SIDES  
SCALE: 1/2" = 1'-0"



**2** SPLIT-FACE STONE VENEER  
SCALE: 1/2" = 1'-0"



**4** SITE WALL 'D' - WITH GUARDRAIL  
SCALE: 1/2" = 1'-0"



**6** SITE WALL 'D' - VENEER TWO SIDES  
SCALE: 1/2" = 1'-0"

PRINTS ISSUED		
DATE	PURPOSE	NO.
10.05.09	FIELD CHECK	
11.12.09	OFFICE CHECK	
02.01.10	FINAL PLANS	

RIVER CORRIDOR  
IMPROVEMENTS PHASE 1C:  
WICHITA, KS

LawKingtonArchitecture  
Engineering · Planning · Interiors · Landscapes



LawKingtonArchitecture  
345 RIVERVIEW, WICHITA, KS 67203  
Phone (316) 268-0230 Fax: (316) 268-0206

CONTACT: JEFFREY A. BEST, ASIA

PROJECT NUMBER:  
**08386**

SHEET TITLE:  
**SITE  
DETAILS**

SHEET NUMBER:  
**SA6.3**