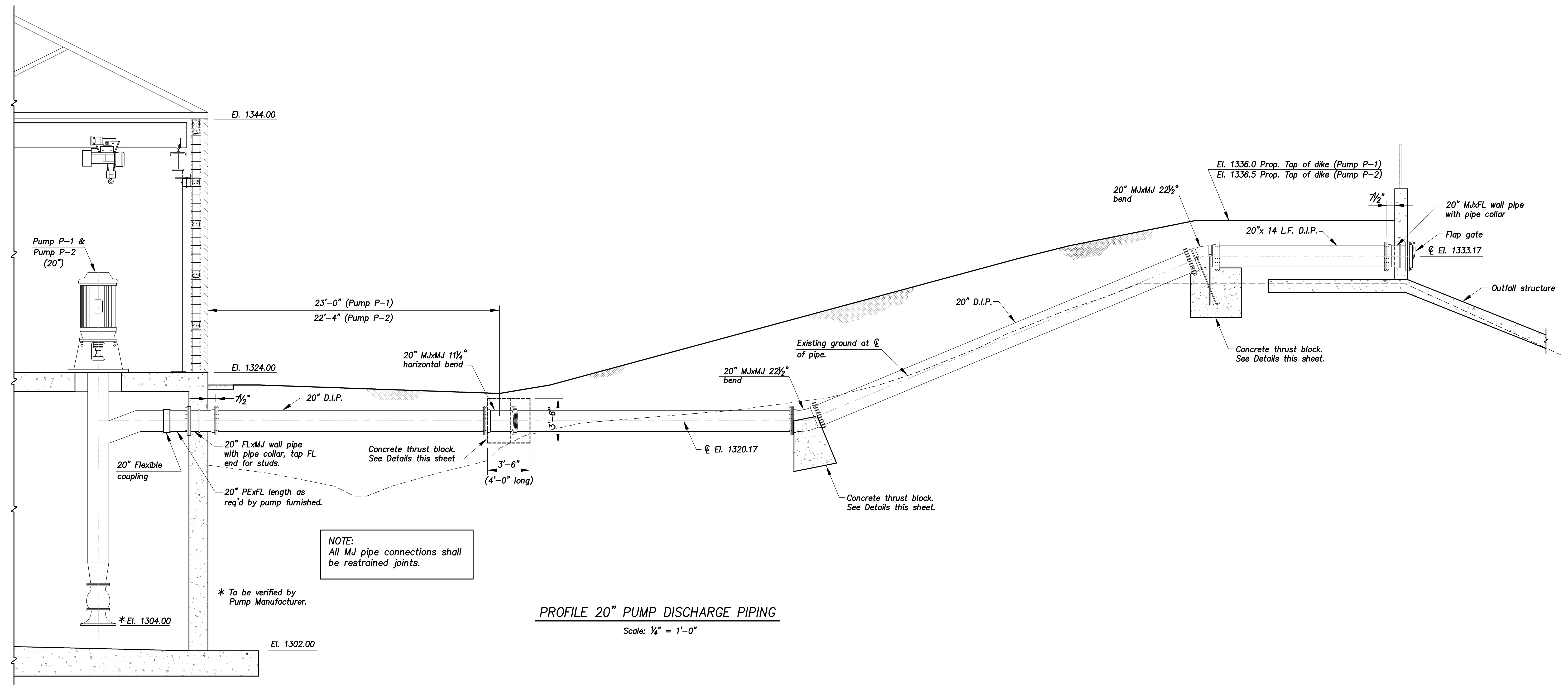


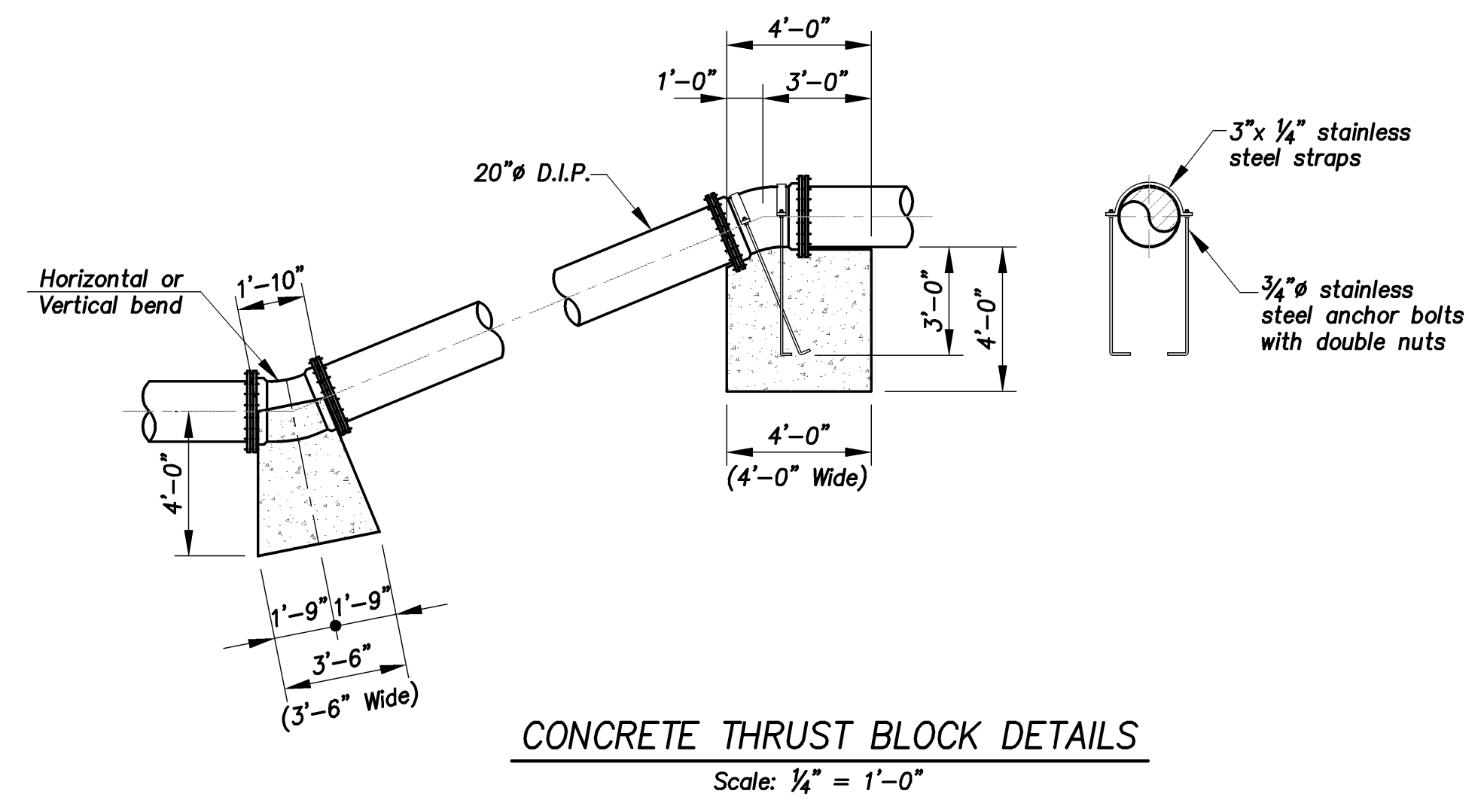
J:\2008Proj\08227\DWG\Structural\DWG\Pump Discharge Piping.dwg C15 Pump P-1 & P-2 3/11/2010 - 8:02am Inarfh



NOTE:
 All MJ pipe connections shall
 be restrained joints.

* To be verified by
 Pump Manufacturer.

PROFILE 20" PUMP DISCHARGE PIPING
 Scale: 1/4" = 1'-0"



CONCRETE THRUST BLOCK DETAILS
 Scale: 1/4" = 1'-0"

CITY OF WICHITA, KANSAS		CFS Cook, Flatt & Strobel ENGINEERS, P. A.
PUMP STATION NO. 11		
STRUCTURAL		DESIGNED MDC
20" PUMP DISCHARGE PIPING		SCALE As Shown
		DATE 3-10-2010
		CHECKED HAP
		SHEET C15 OF C31