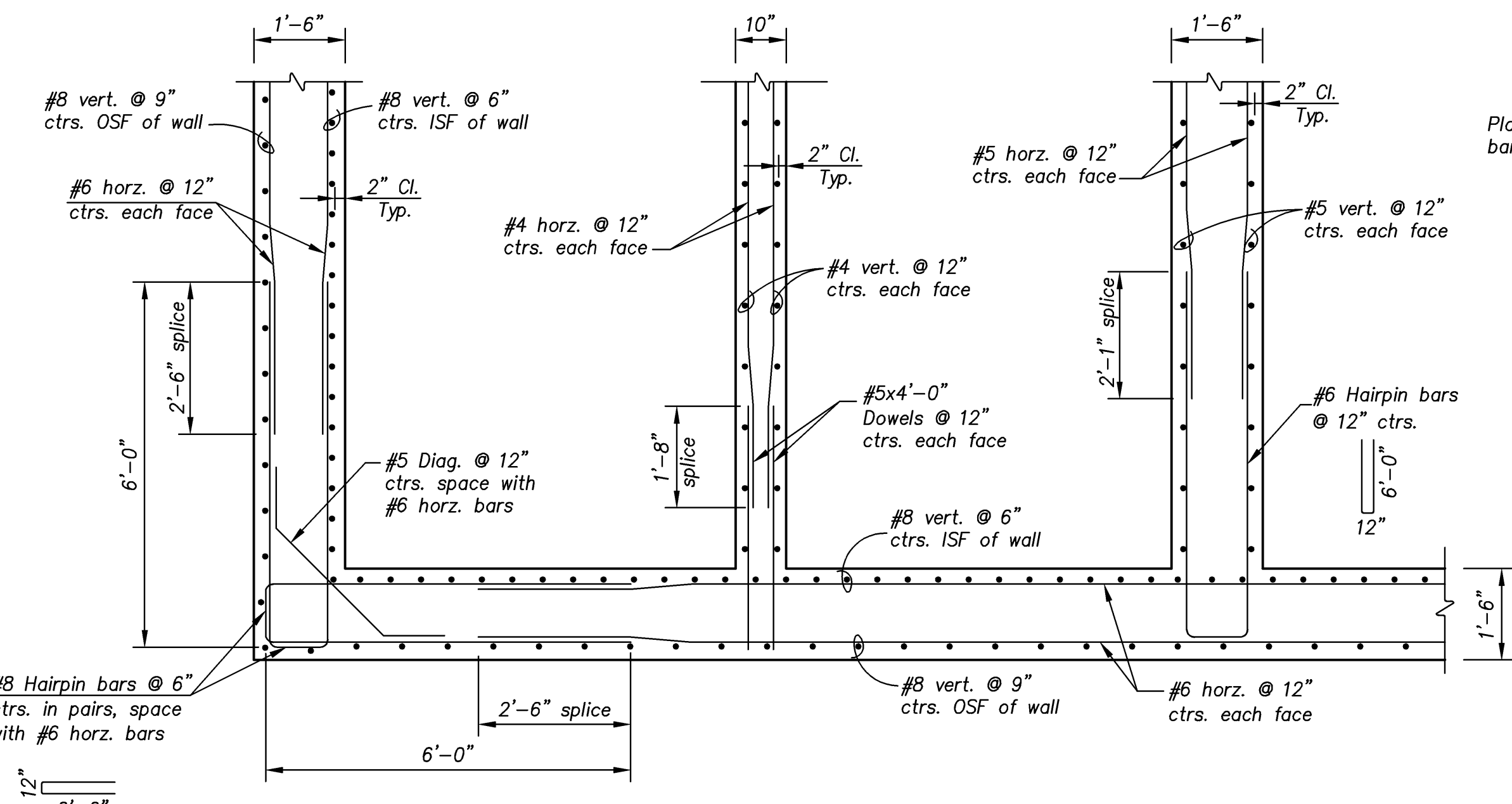
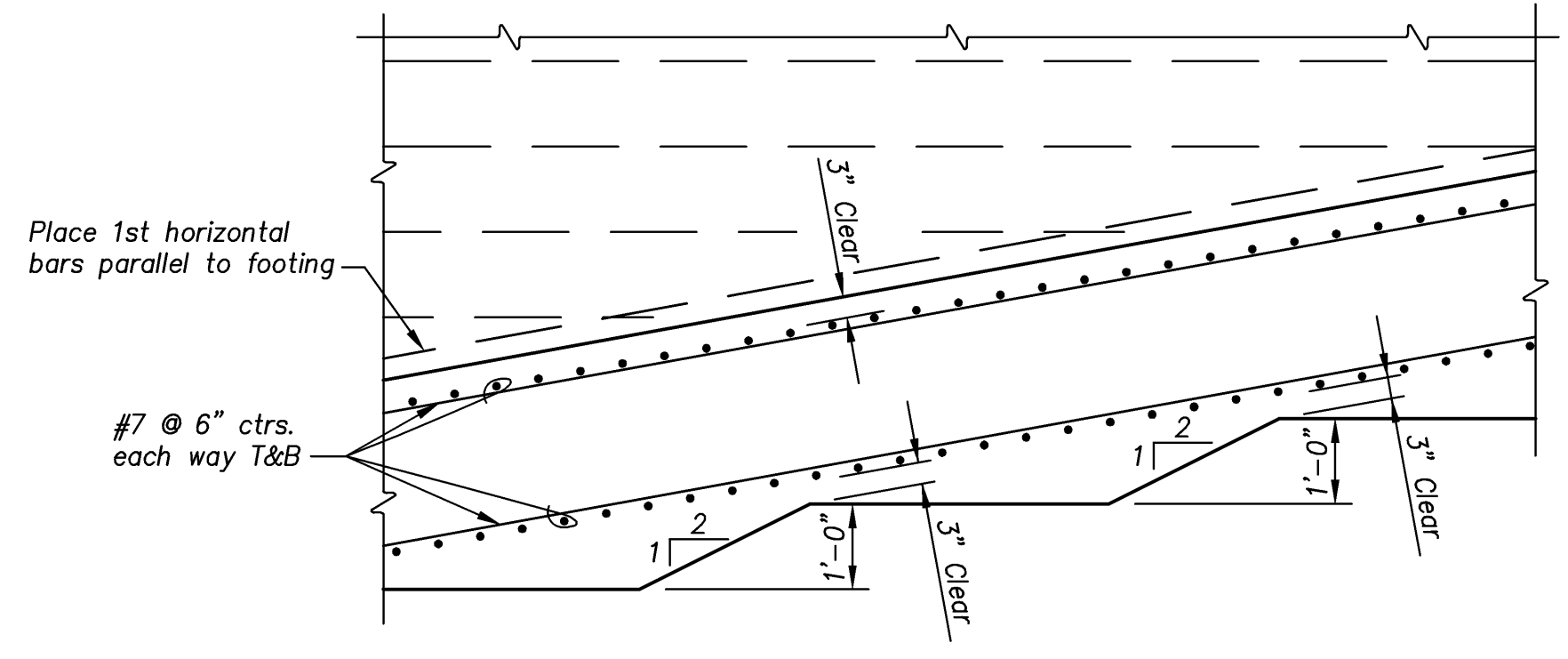


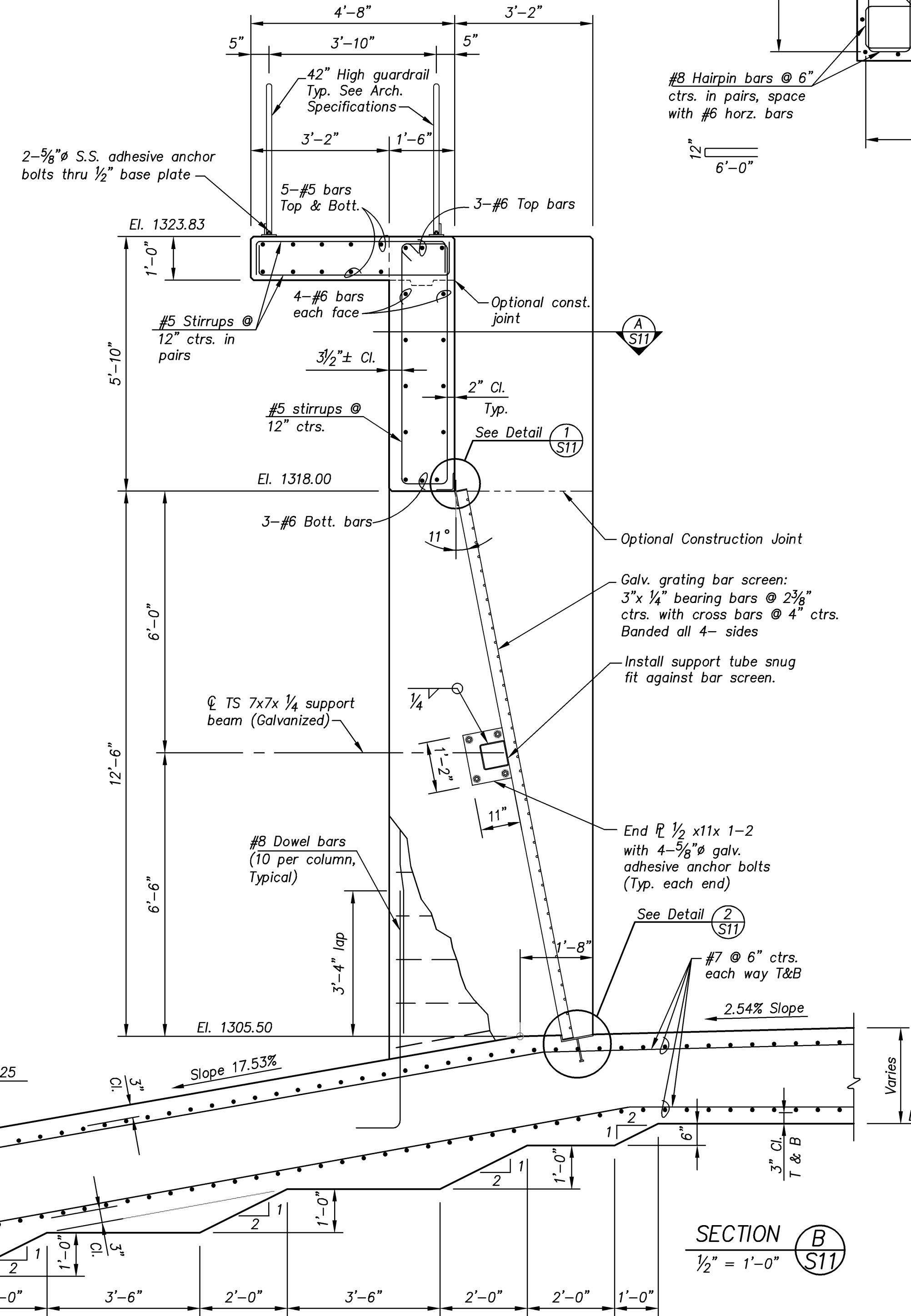
SECTION A S11  
1/2" = 1'-0"



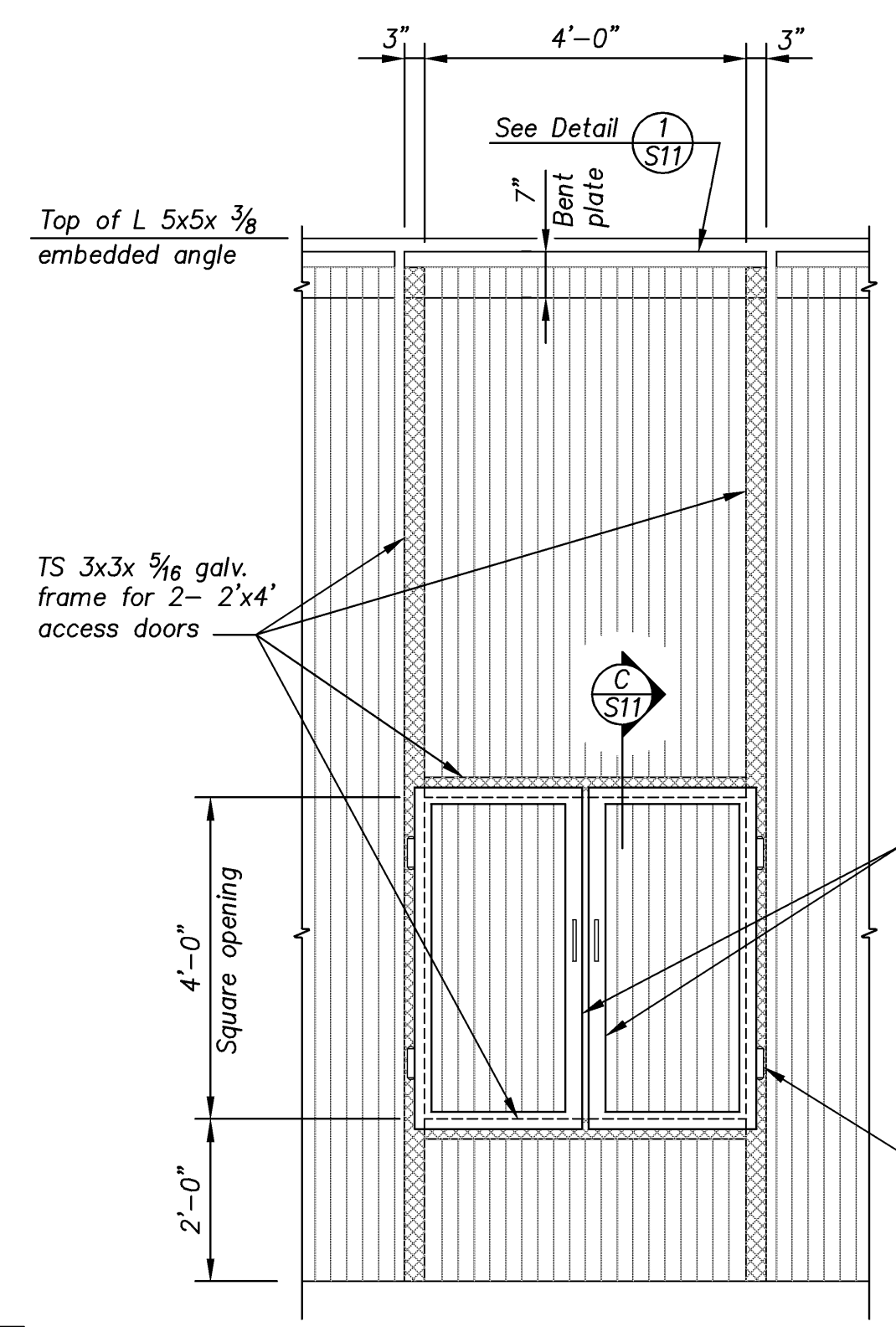
TYPICAL CORNER & INTERIOR WALL REINFORCING DETAIL  
Scale: 1/2" = 1'-0"



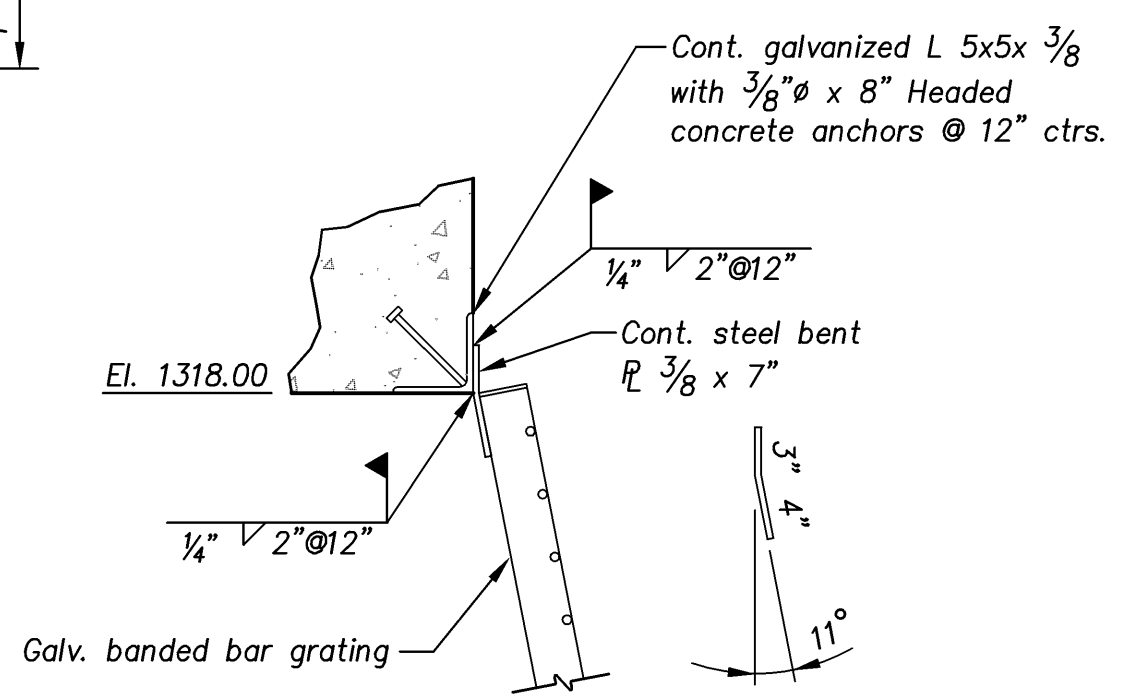
TYPICAL REINF. AT FOOTING STEPS AREAS  
Scale: 1/2" = 1'-0"



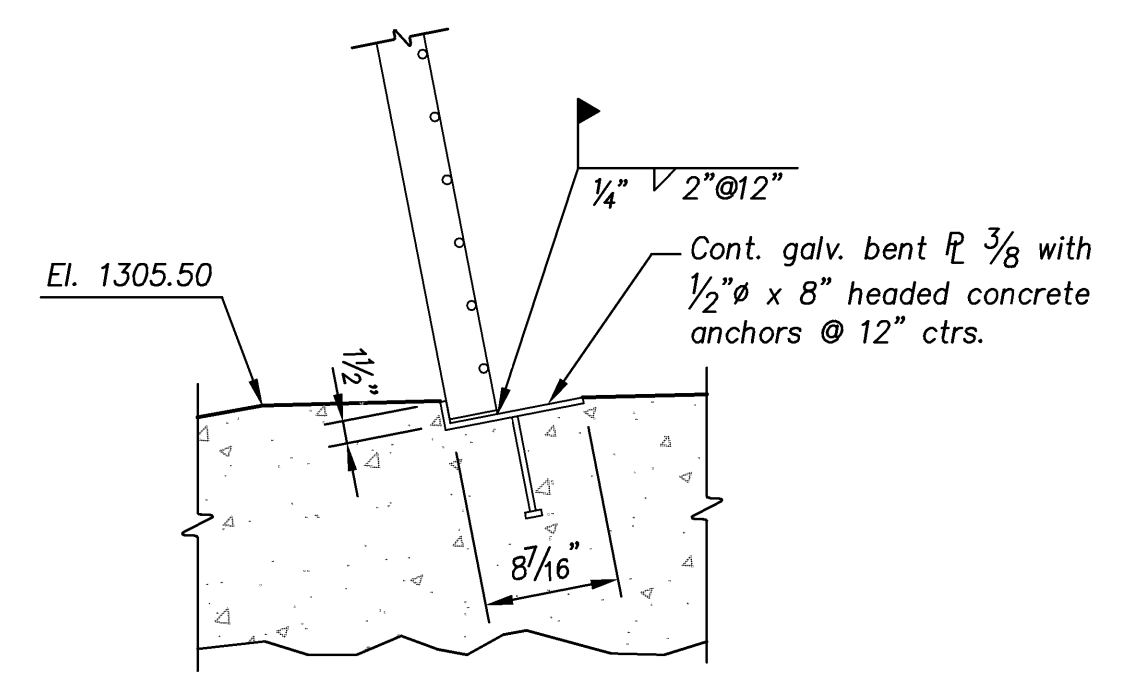
SECTION B S11  
1/2" = 1'-0"



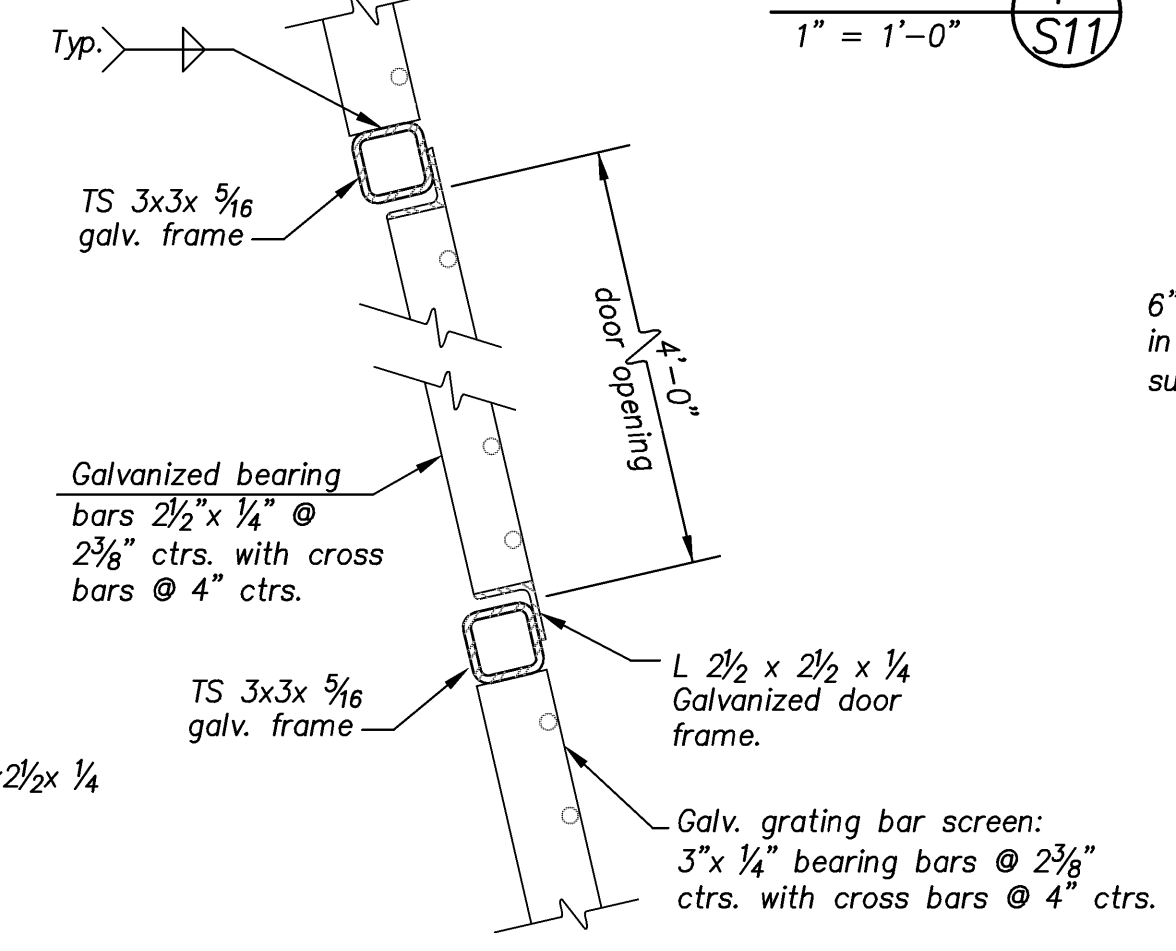
ELEVATION - ACCESS DOORS IN BAR SCREEN  
1/2" = 1'-0"



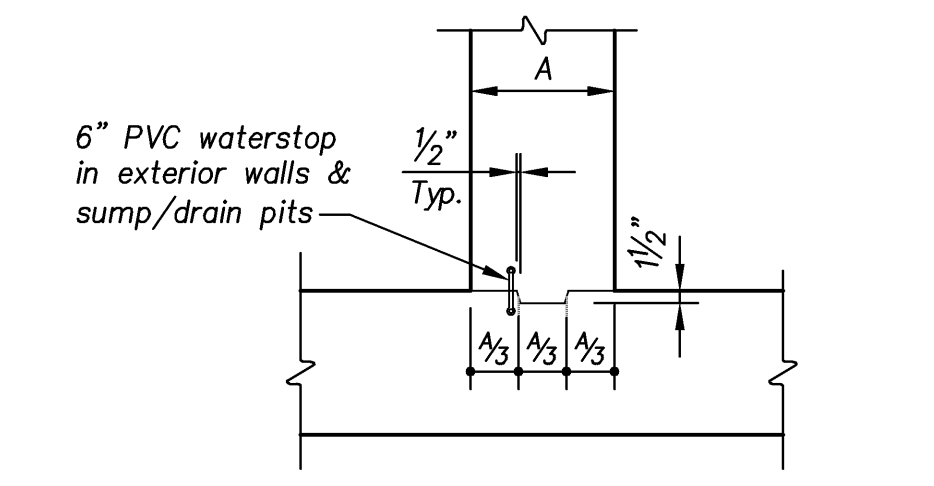
DETAIL 1 S11  
1" = 1'-0"



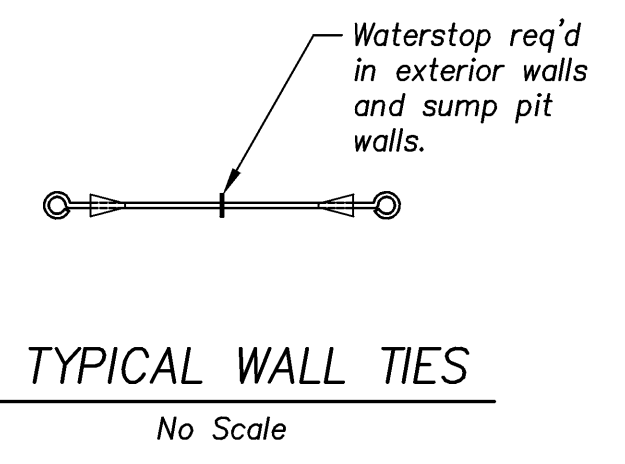
DETAIL 2 S11  
1" = 1'-0"



SECTION C S11  
1/2" = 1'-0"



TYPICAL WALL KEYWAY DETAIL  
Scale: 1/2" = 1'-0"



TYPICAL WALL TIES  
No Scale

J:\2008Proj\06527\DWG\Structural\DWG\S11-FD-SEC-11\10/2009 - 1:52pm hpham

CITY OF WICHITA, KANSAS		<b>CFS</b> Cook, Flatt & Strobel ENGINEERS, P.A.
PUMP STATION NO. 11		
STRUCTURAL		DESIGNED KMB SCALE As Shown
PUMP STATION		DATE 10-30-09
FOUNDATION SECTIONS		CHECKED HAP SHEET S11 OF S17