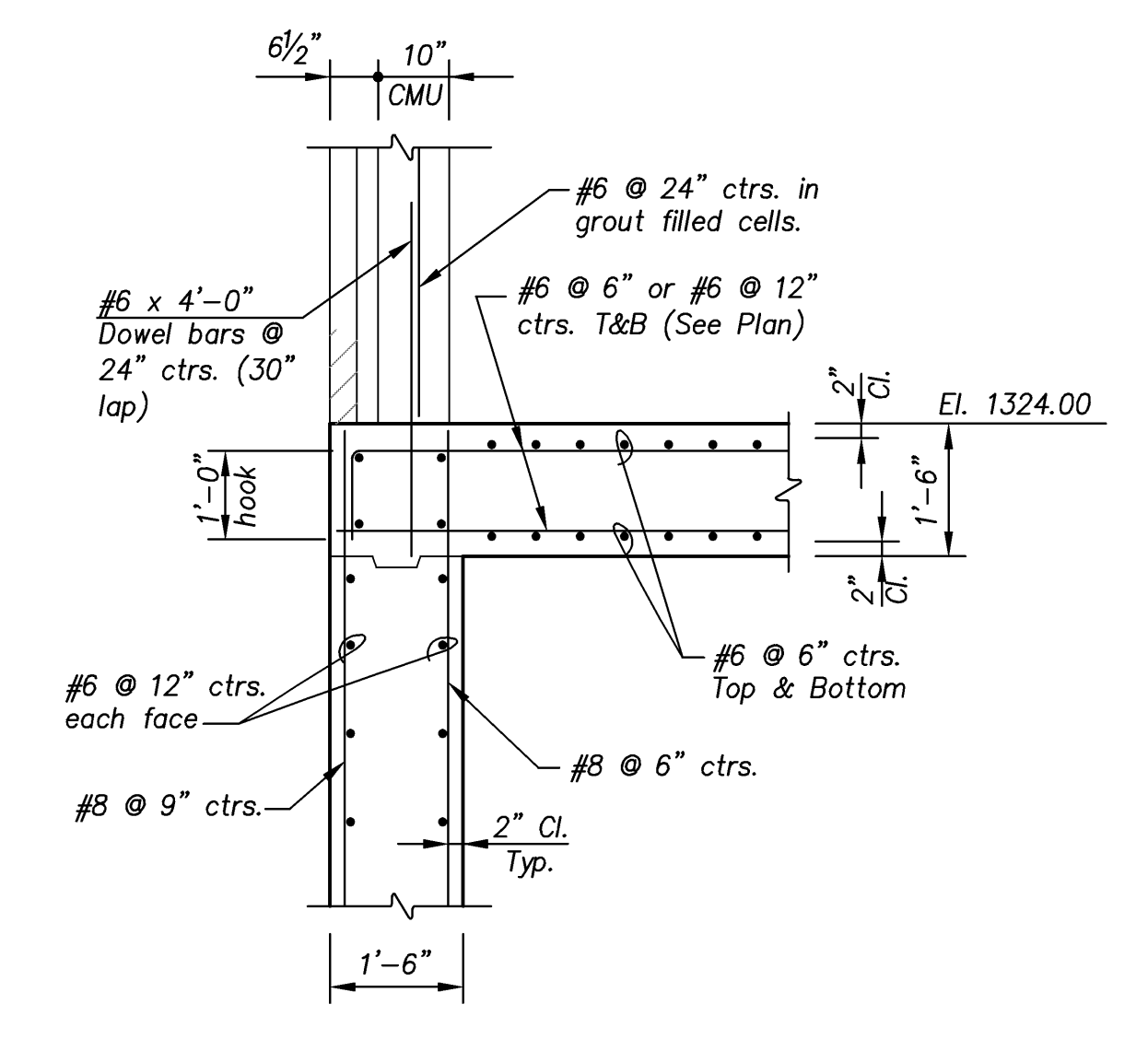
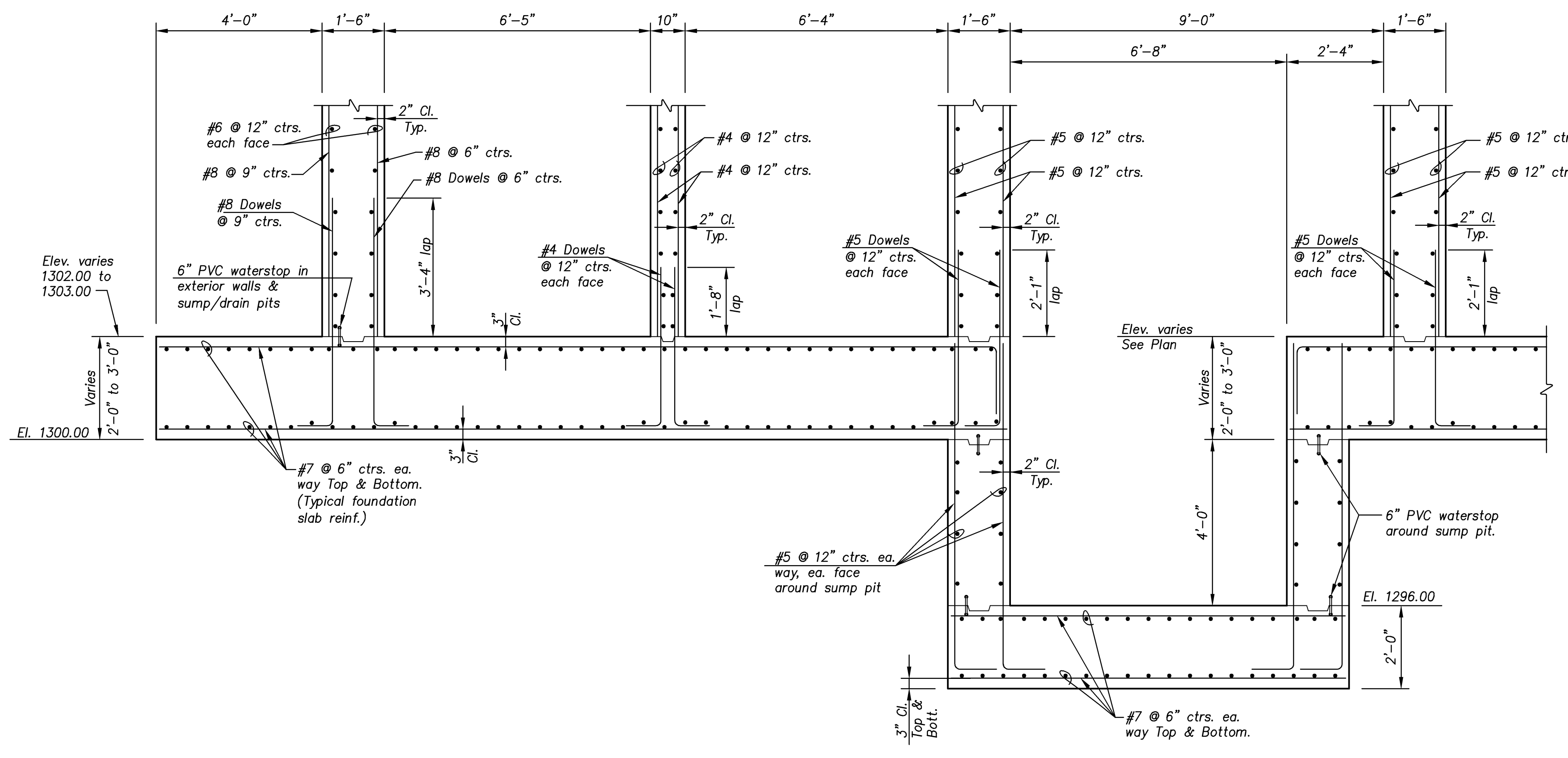


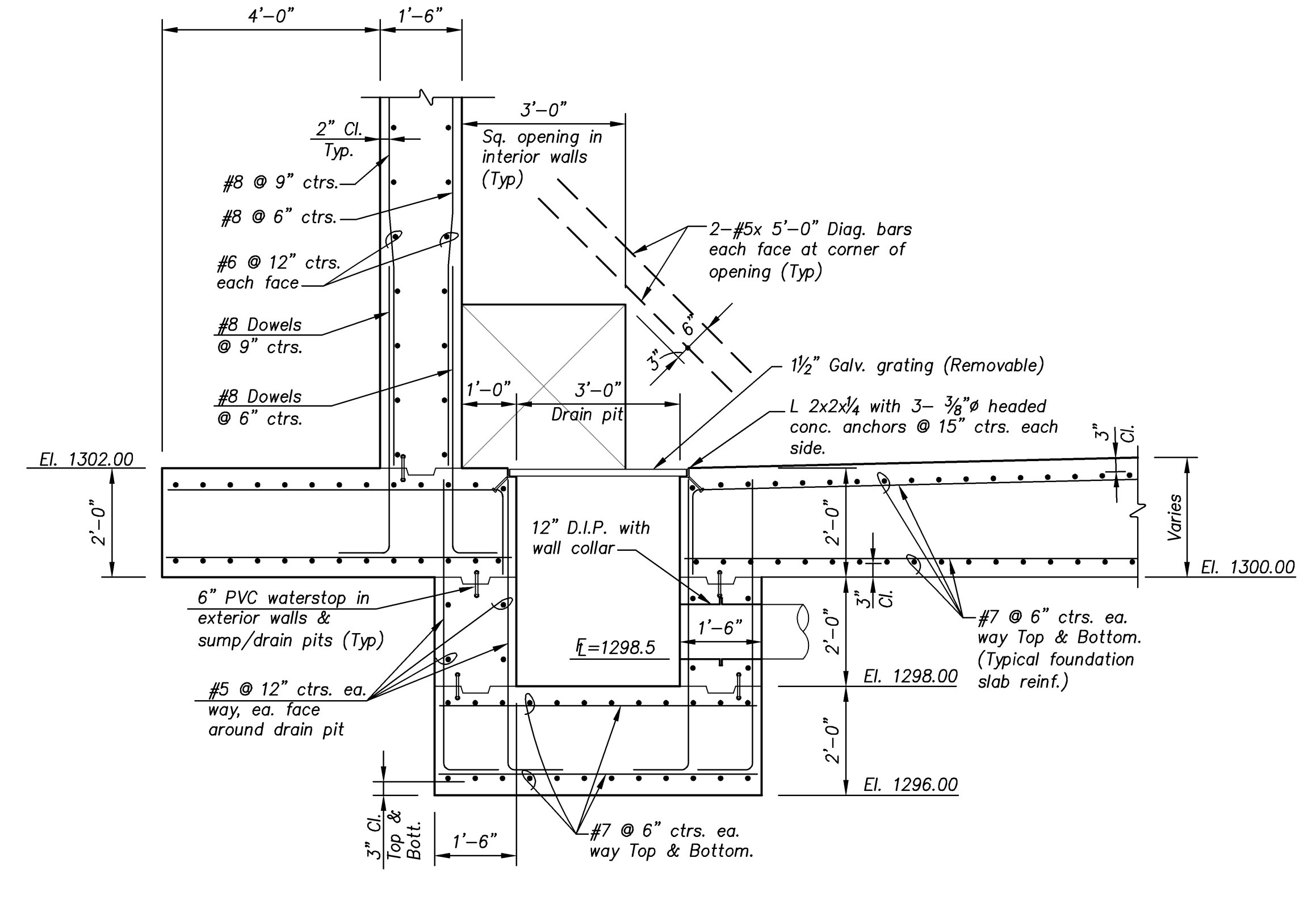
(Reinforcing for exterior walls under building similar)
SECTION A
 1/2" = 1'-0" S12



SECTION B
 1/2" = 1'-0" S12



SECTION C
 1/2" = 1'-0" S12



SECTION D
 1/2" = 1'-0" S12

J:\2008Proj\08527\DWG\Structural\DWG\S12-13 Cons. Sec. 11/10/2009 - 1:53pm lpham

CITY OF WICHITA, KANSAS	
PUMP STATION NO. 11	
STRUCTURAL	
PUMP STATION	
WALL & FLOOR SECTIONS	
CFS	
Cook, Flatt & Strobel ENGINEERS, P. A.	
DESIGNED KMB	SCALE As Shown
DETAILED HAP	DATE 10-30-09
CHECKED	SHEET S12 OF S17