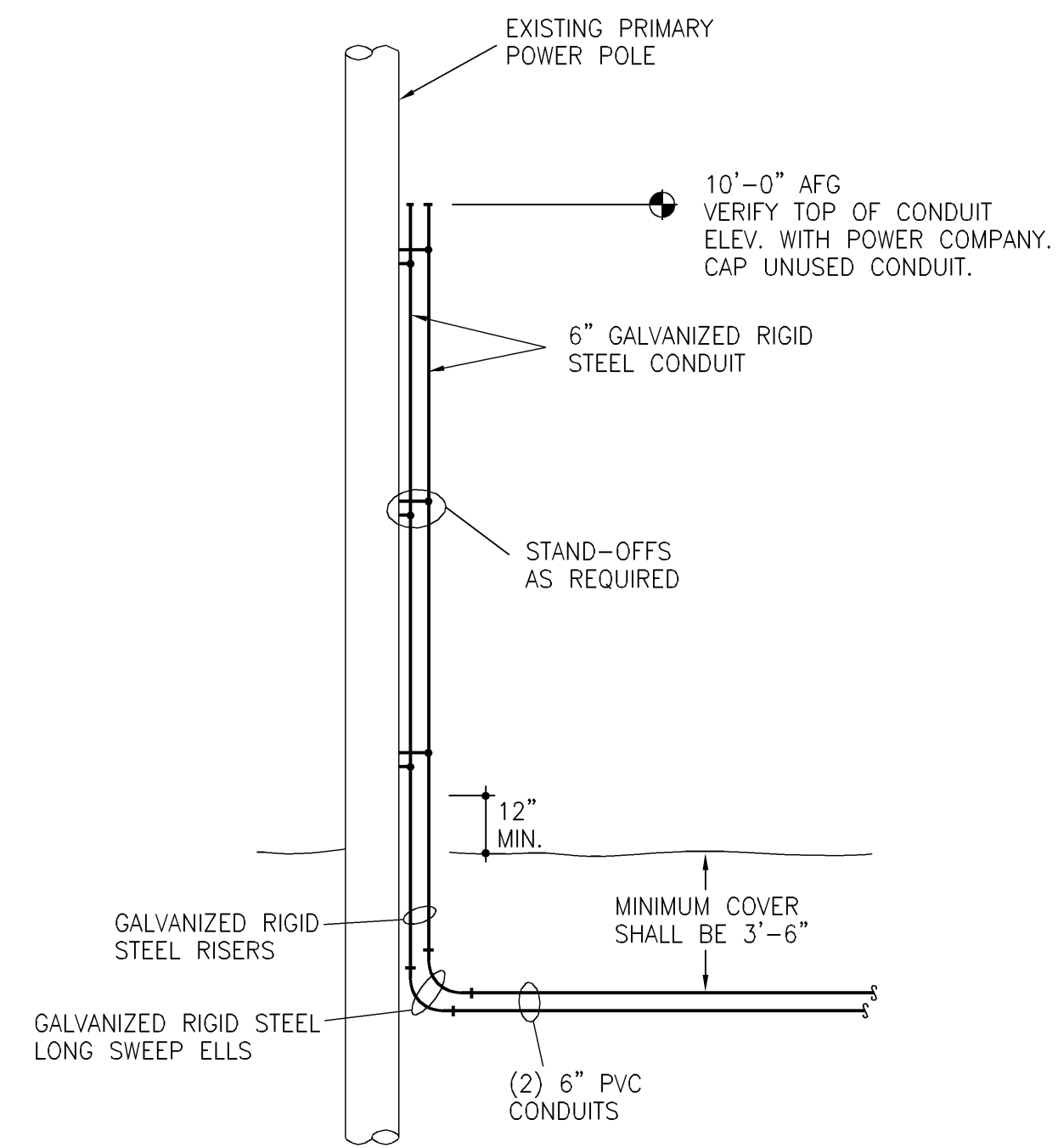
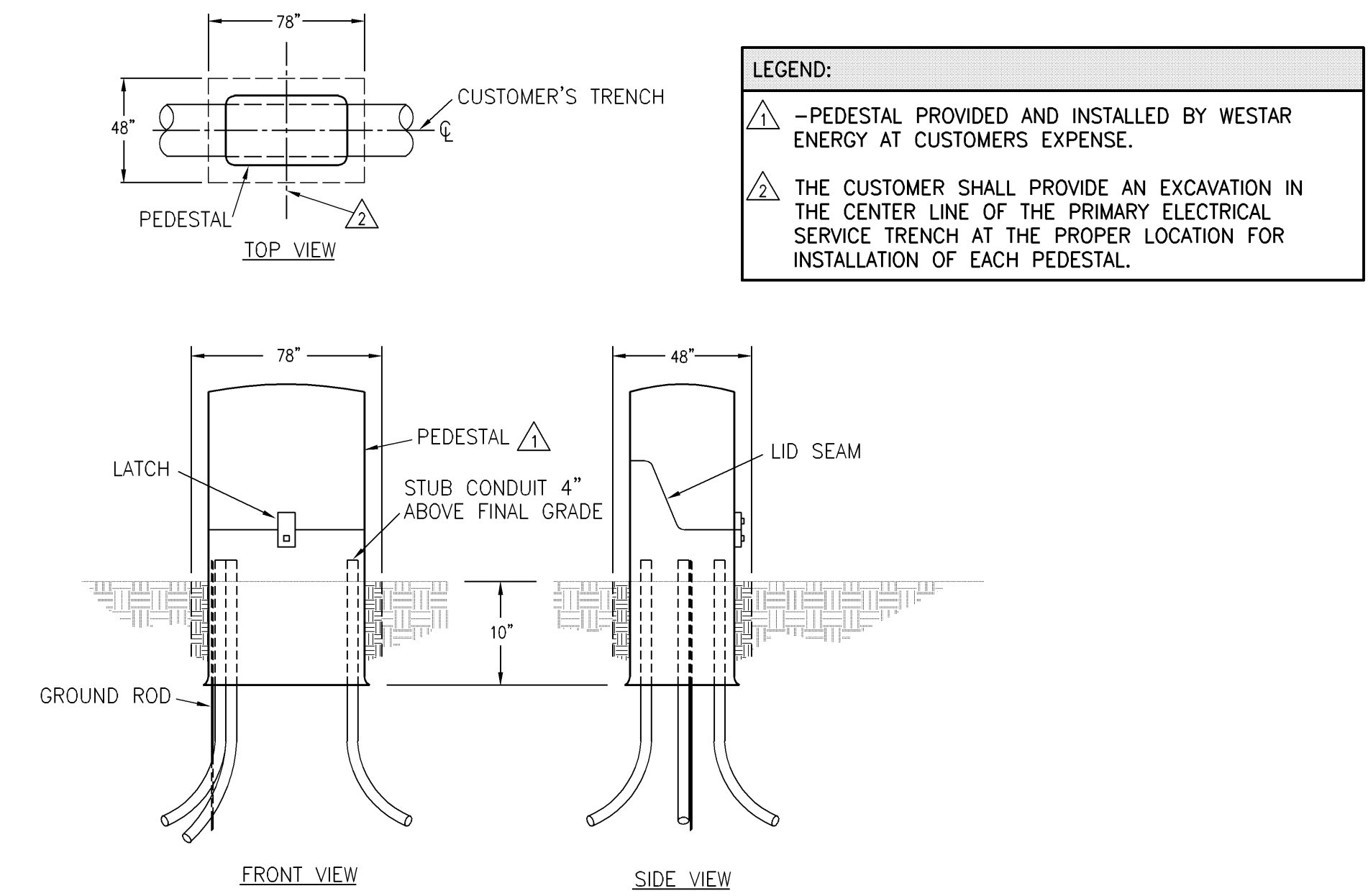


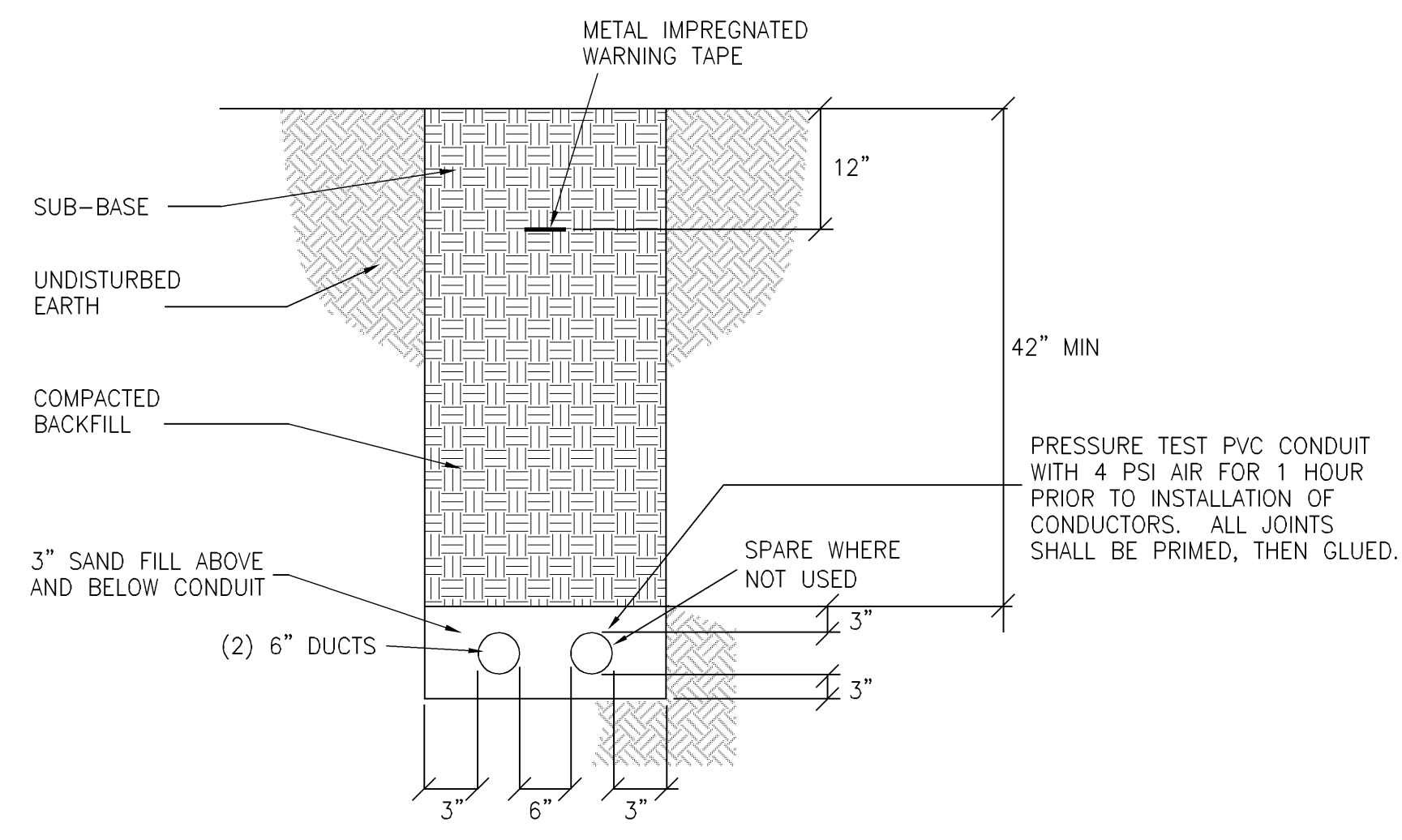
**1 EXTERIOR LIGHTING CONTROL PANEL SCHEMATIC**  
NO SCALE



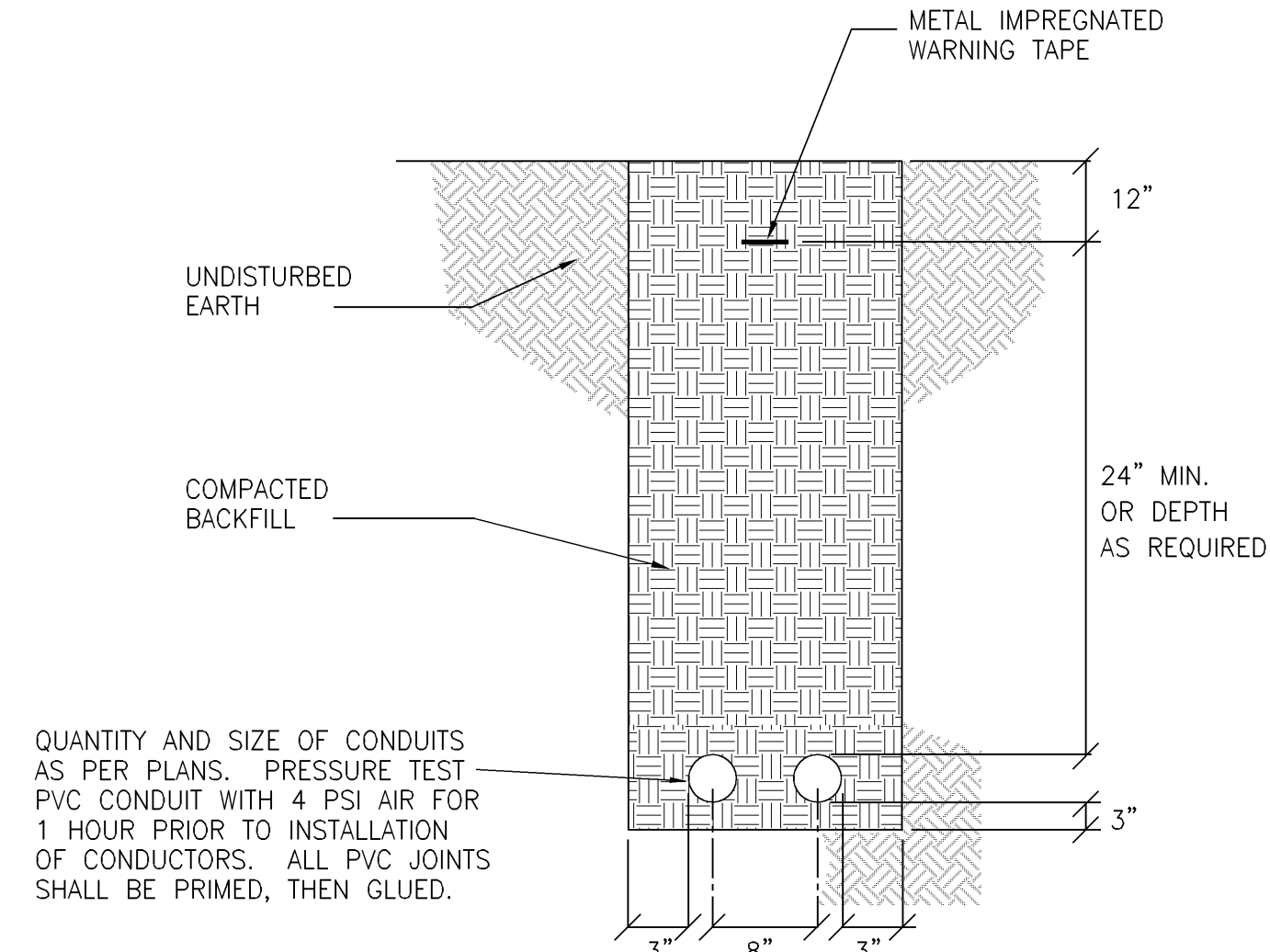
**2 POWER POLE DETAIL**  
NO SCALE



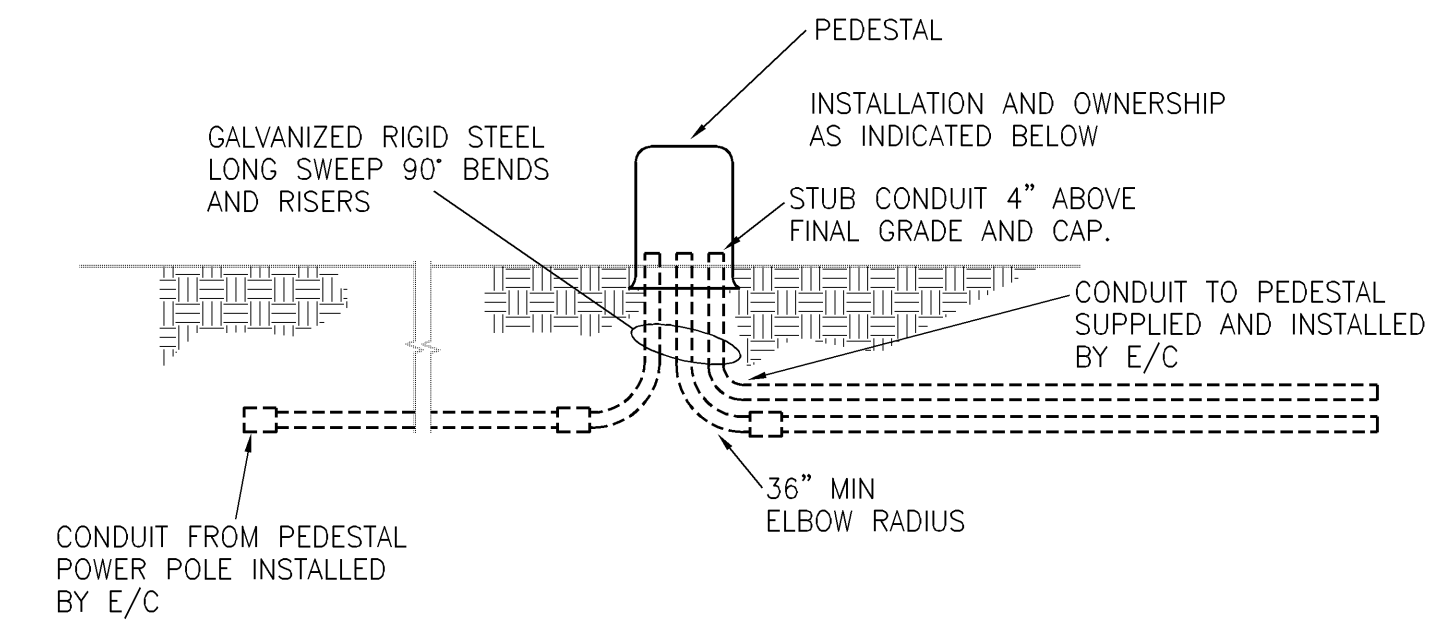
**3 UNDERGROUND PEDESTAL INSTALLATION DIAGRAM**  
NO SCALE (VERIFY WITH WESTAR)



**4 UNDERGROUND PRIMARY SERVICE**  
NO SCALE (COORDINATE WITH WESTAR ENERGY STANDARD)



**5 UNDERGROUND SECONDARY SERVICE**  
NO SCALE



**6 PEDESTAL DETAIL**  
NO SCALE (VERIFY WITH WESTAR)

ME2.dwg 96 02/01/10 MAT

**LS&A**  
Lutmer Sommers & Associates, P.A.  
CONSULTING ENGINEERS  
3539 SW Summerfield Drive, Suite A  
Topeka, Kansas 66614-3874  
Telephone: (785) 233-9232  
FAX: (785) 233-0647  
Email: lsapa@lsapa.com

CITY OF WICHITA, KANSAS PUMP STATION NO. 11	
MECHANICAL	
SITE PLAN DETAILS	

**CFS**  
Cook, Flatt & Strobel  
ENGINEERS, P.A.  
DESIGNED AKK SCALE As Shown  
DATE 3/11/10  
CHECKED AKK SHEET ME2 OF 3