

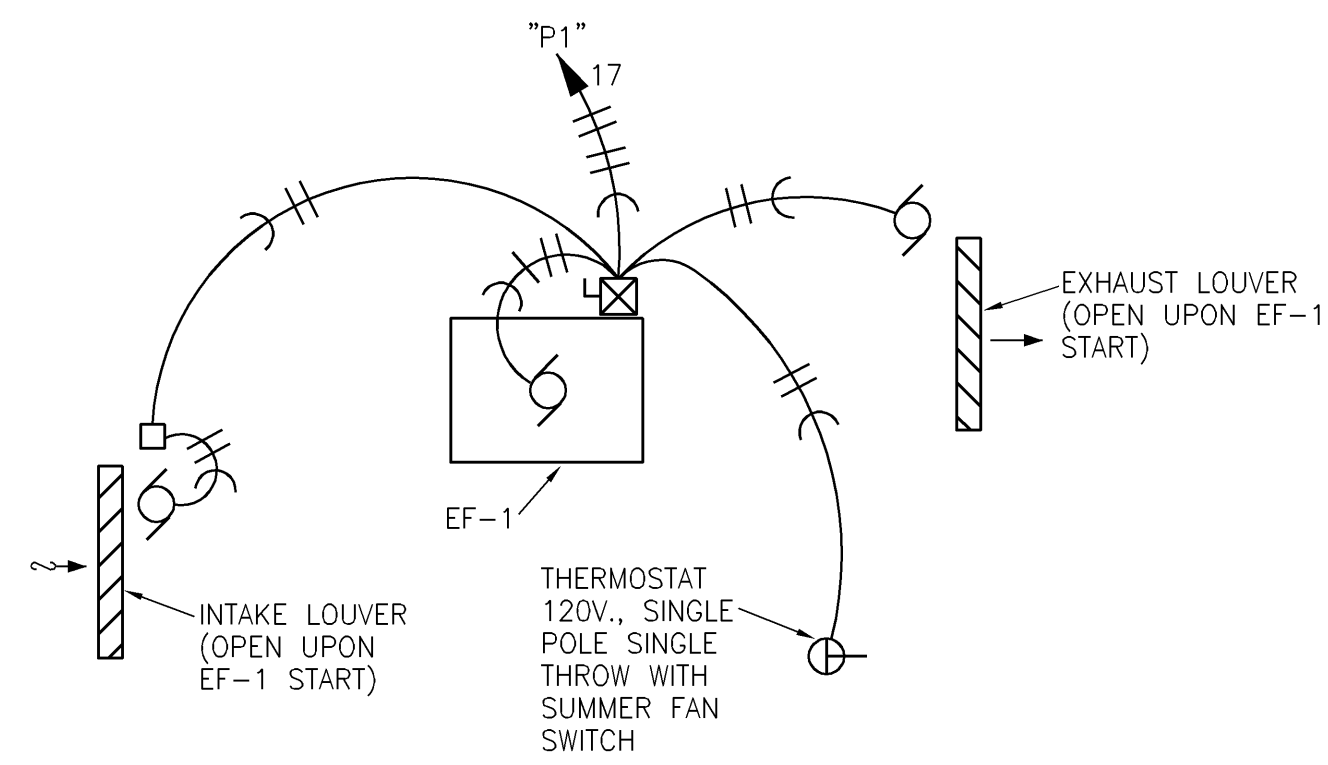
GENERAL NOTES:

1. MOUNT DEVICES AT HEIGHT INDICATED UNLESS NOTED OTHERWISE ON PLANS.
2. VERIFY MOUNTING IN SIDE REACH AREAS WITH ARCHITECT.
3. NOT ALL DEVICES SHOWN MAY BE UTILIZED ON PROJECT.

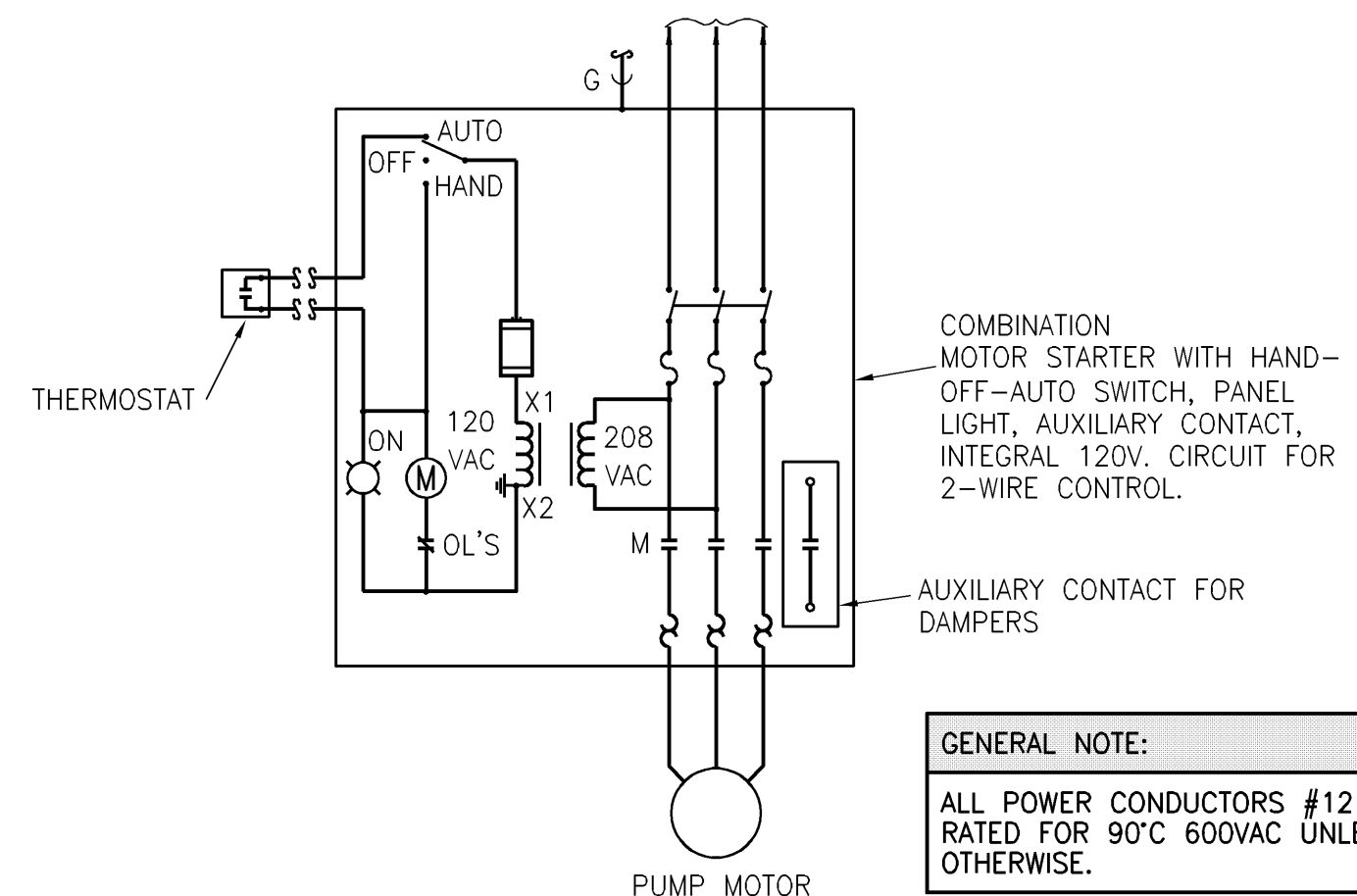
DEVICE MOUNTING NOTES:

1. **VISUAL UNIT**
DEVICE BOTTOM 80" ABOVE HIGHEST FLOOR LEVEL OR TOP 6" BELOW CEILING; WHICHEVER IS LOWER (ADA 1993).
2. **AUDIO UNIT**
DEVICE BOTTOM 80" ABOVE HIGHEST FLOOR LEVEL OR TOP 6" BELOW CEILING; WHICHEVER IS LOWER (ADA 1993).
* TOP OF UNIT NOT LESS THAN 90" ABOVE FLOOR AND NOT LESS THAN 6" BELOW CEILING (NFPA) (BOTTOM AT 88" WITH BLOCK COURSES). MOUNT AT NFPA HEIGHT ONLY IF REQUIRED BY LOCAL AHJ.
3. **AUDIO/VISUAL UNIT**
DEVICE BOTTOM 80" ABOVE HIGHEST FLOOR LEVEL OR TOP 6" BELOW CEILING; WHICHEVER IS LOWER (ADA 1993).
4. **PULL STATION**
HIGHEST OPERABLE PART SHALL NOT BE MORE THAN 48" ABOVE THE FLOOR (FRONT APPROACH) (ADA 1993).

1 ELECTRICAL DEVICE MOUNTING HEIGHTS
NO SCALE



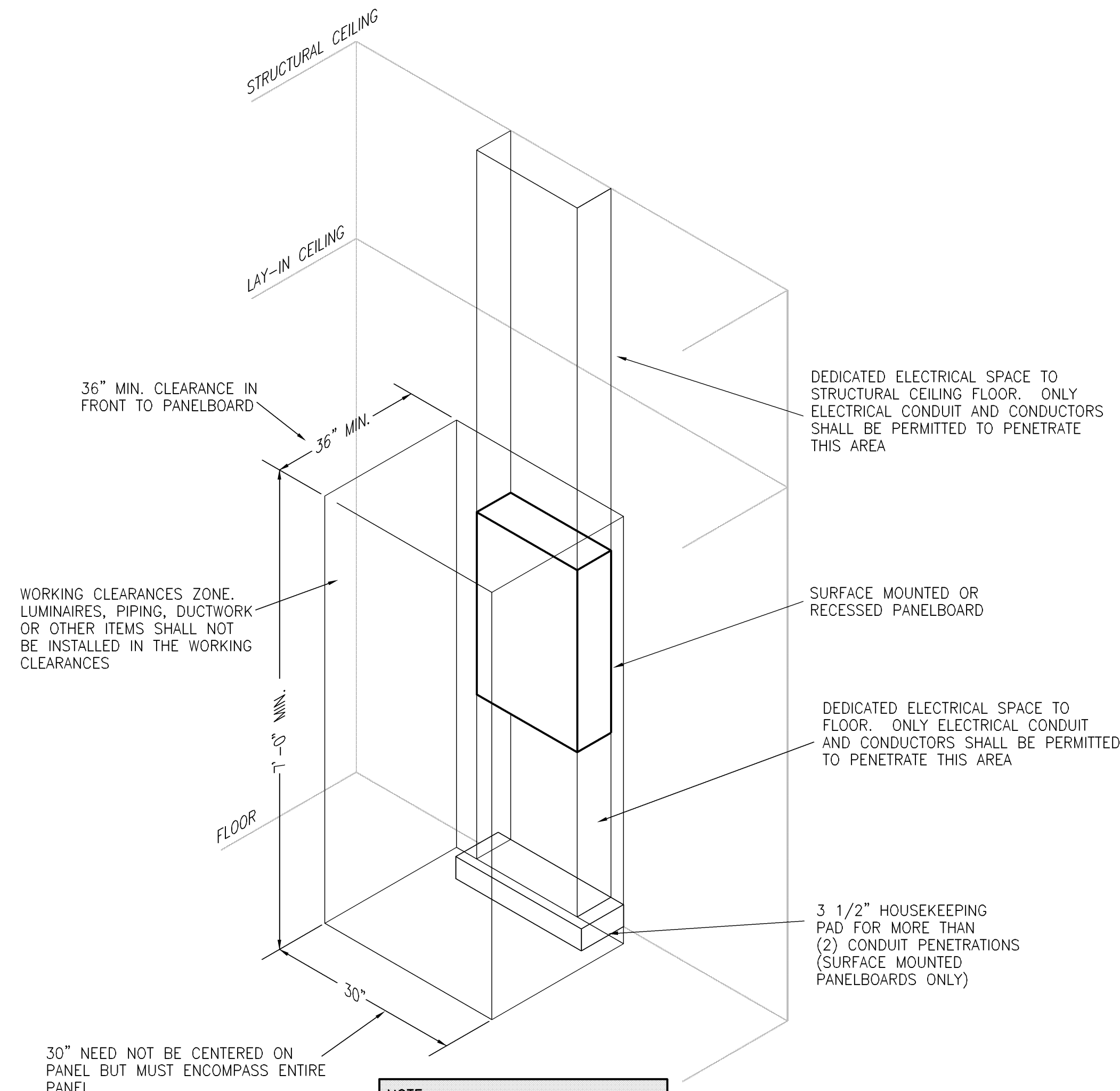
2 EXHAUST FAN WIRING SCHEMATIC
NO SCALE



GENERAL NOTE:

ALL POWER CONDUCTORS #12 AWG THHN RATED FOR 90°C 600VAC UNLESS NOTED OTHERWISE.

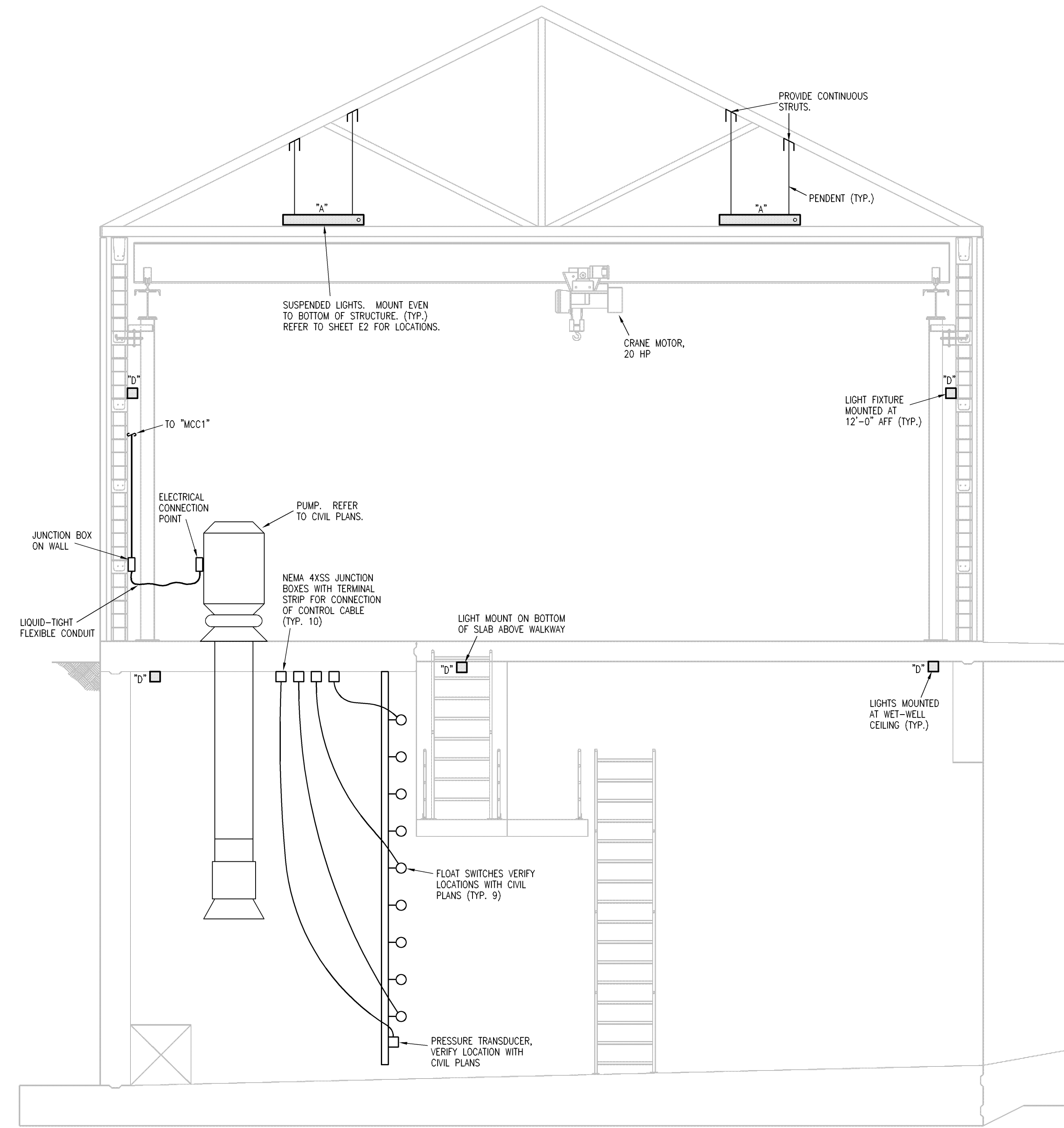
3 TYPICAL CMS SCHEMATIC
NO SCALE



NOTE:

COORDINATE ALL WORK WITH OTHER TRADES. MAINTAIN ALL OTHER NEC CLEARANCES AND REQUIREMENTS.

4 TYPICAL PANELBOARD INSTALLATION DETAIL
NO SCALE



5 SECTION
1/4" = 1'-0"

LS&A
Lutmer Sommers & Associates, P.A.
CONSULTING ENGINEERS
3539 SW Summerfield Drive, Suite A
Topeka, Kansas 66614-3874
Telephone: (785) 233-9232
FAX: (785) 233-0647
Email: lsapa@lsapa.com

CITY OF WICHITA, KANSAS
PUMP STATION NO. 11

MECHANICAL

ELECTRICAL DETAILS

CFS
Cook, Flatt & Strobel
ENGINEERS, P.A.

DESIGNED AKK SCALE As Shown
DETAILED CAD DATE 3/11/10
CHECKED AKK SHEET E5 OF 5