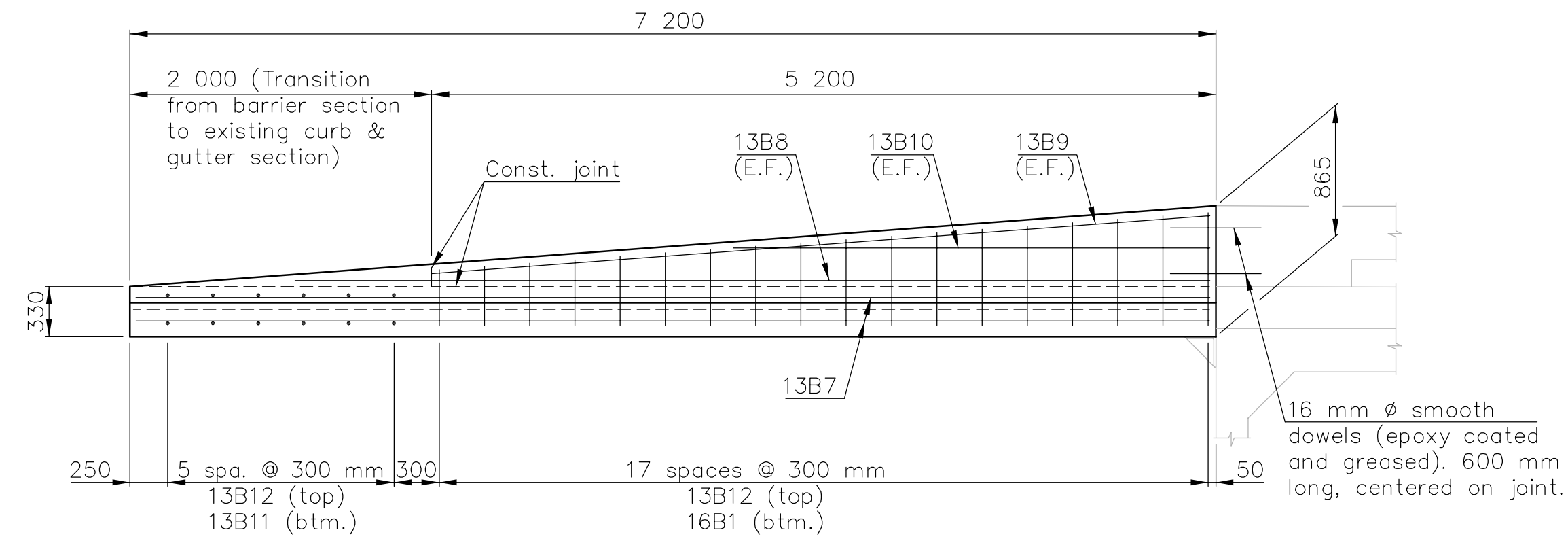
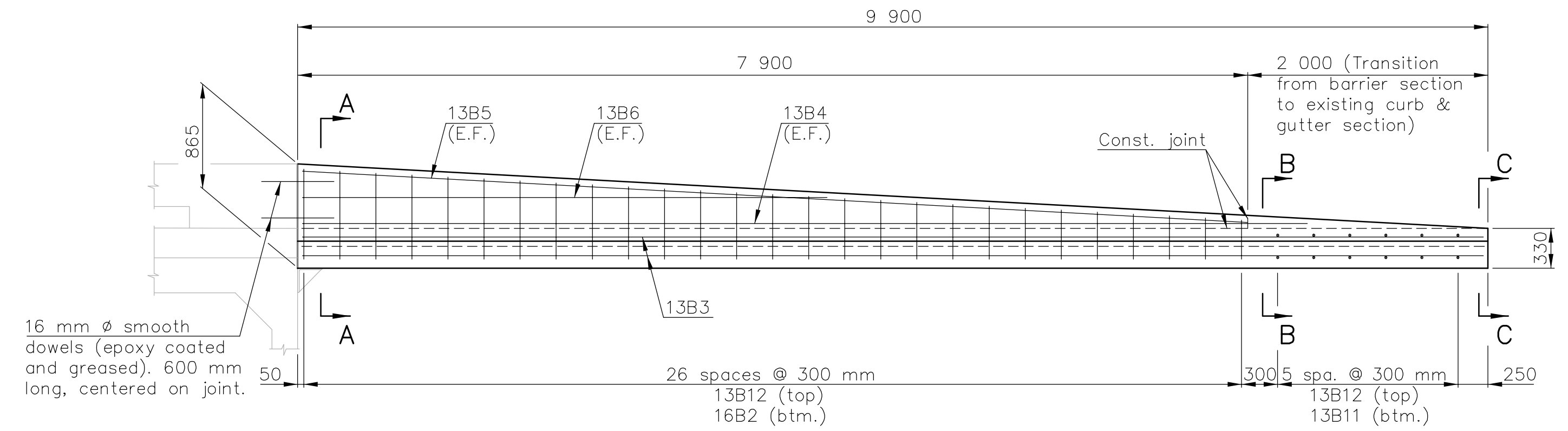


STATE	PROJECT NO.	YEAR	SHEET NO.	TOTAL SHEETS
KANSAS	87 N-0240-01	2004	4	42

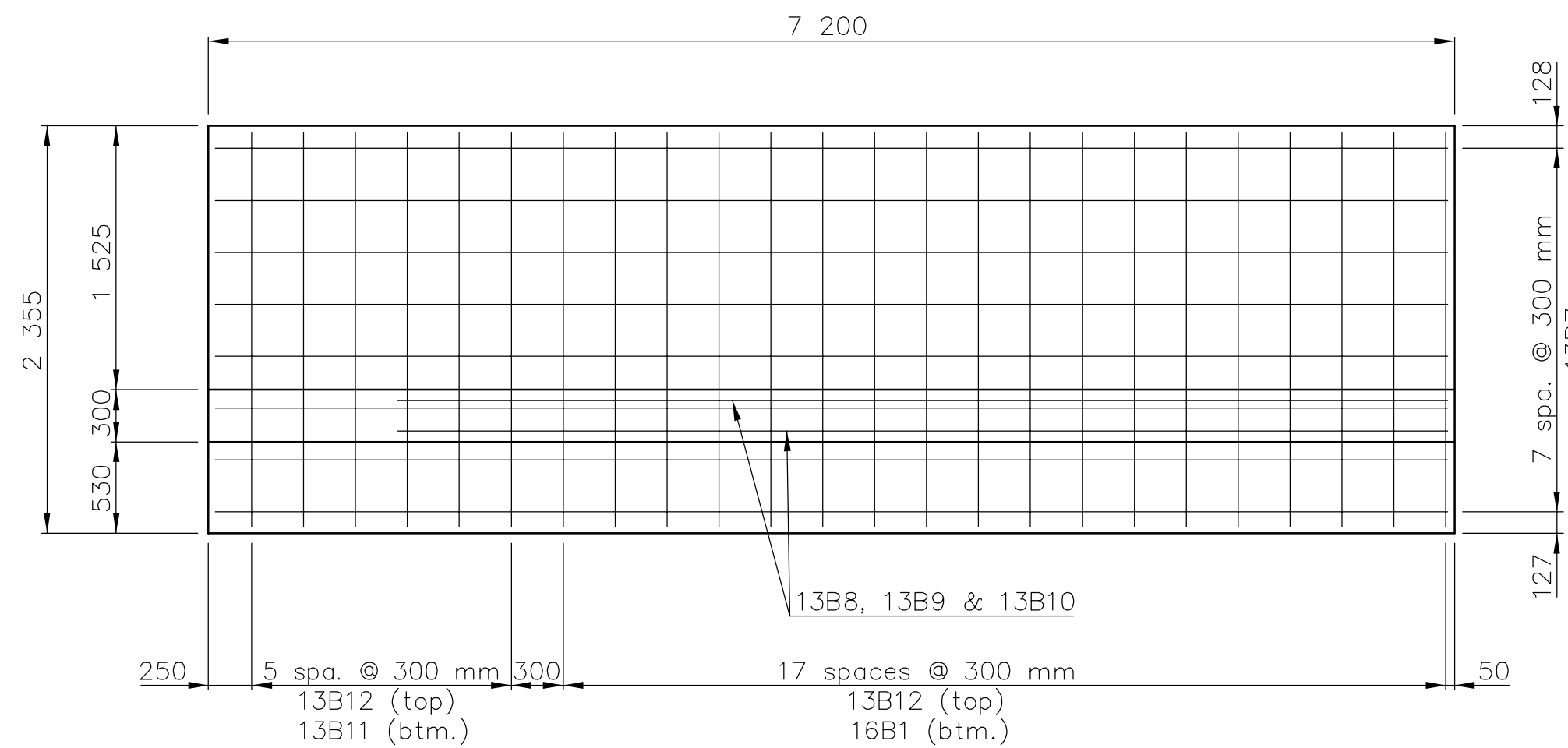
Note: E.F. Indicates Each Face



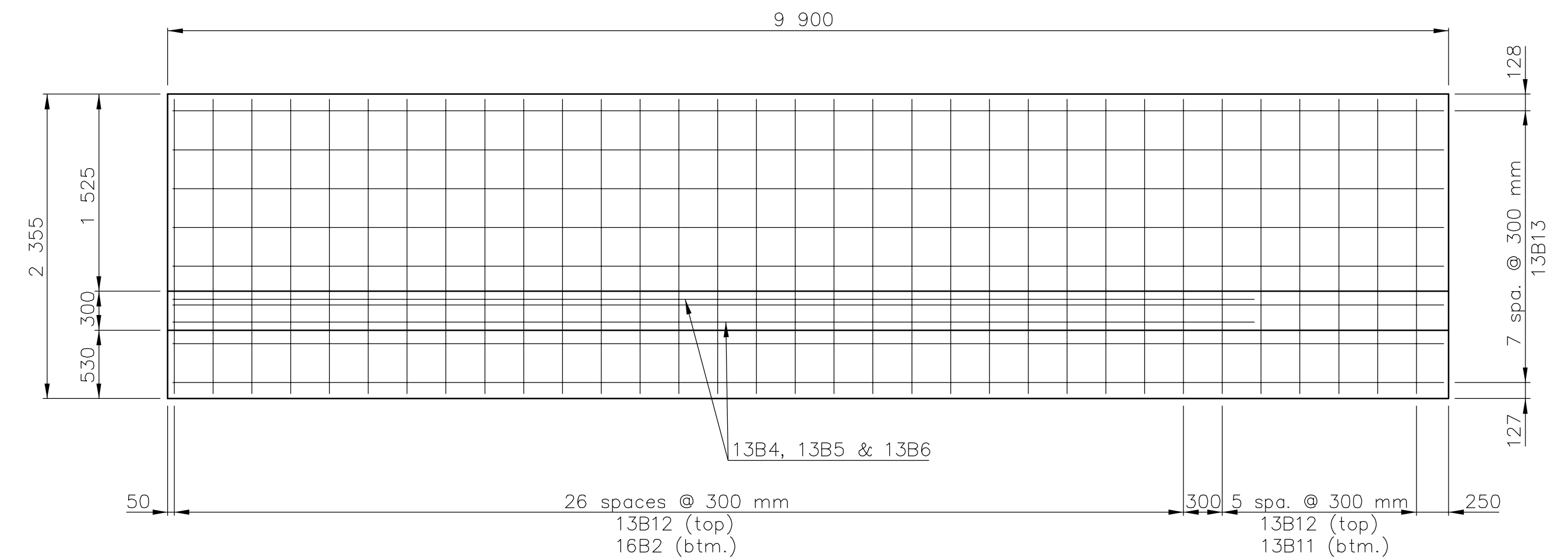
**ELEVATION**  
NW Quadrant



**ELEVATION**  
NE Quadrant shown,  
SE & SW quad's. similar

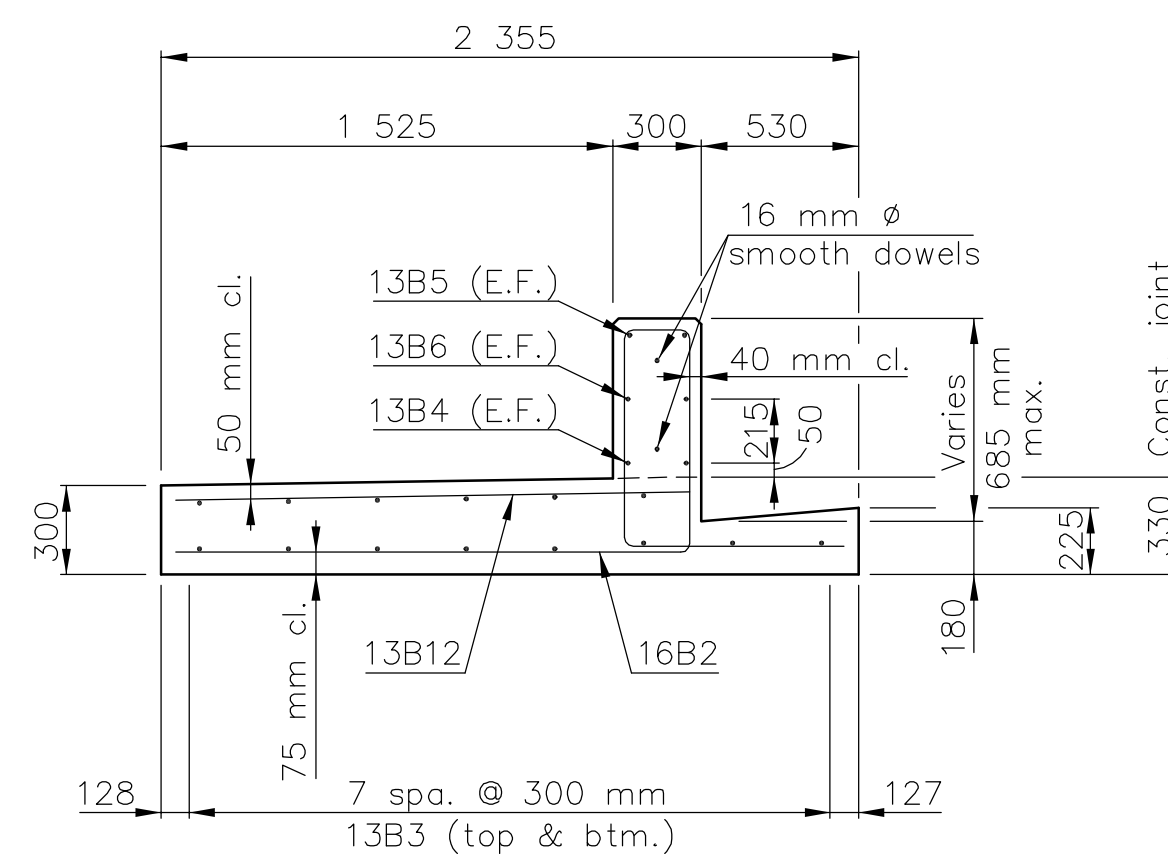


**PLAN**  
NW Quadrant

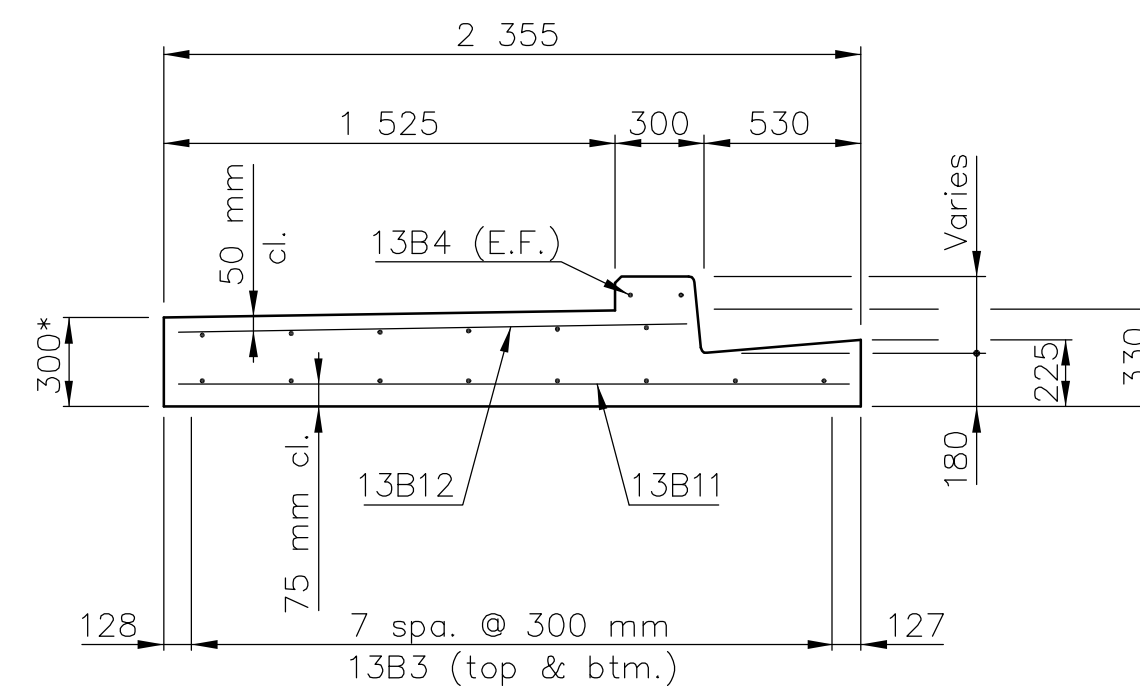


**PLAN**  
NE Quadrant shown,  
SE & SW quad's. similar

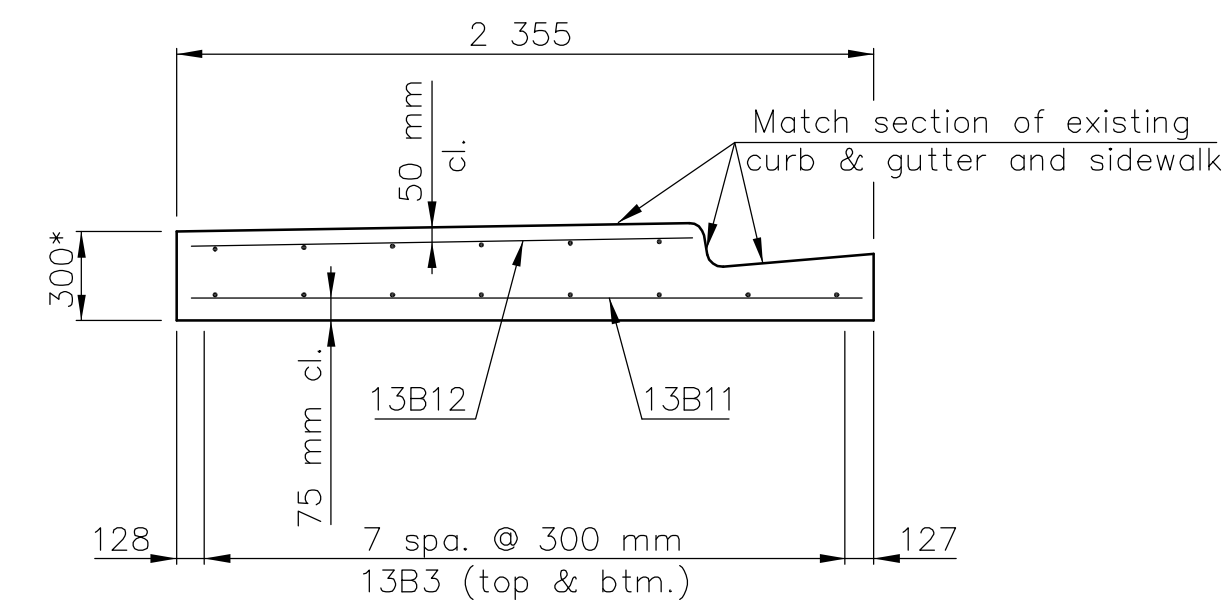
Note: Sections shown for NE, SE & SW quadrants. Sections for NW quadrant are similar.



**SECTION A-A**



**SECTION B-B**



**SECTION C-C**

Note: For Bill of Reinforcing, General Notes and Summary of Quantities see sheet no. 9.

\* Maintain minimum 300 mm thickness on safety barrier footing/sidewalk.  
Transition cross slope on sidewalk to match existing sidewalk.

PROJECT NO. 87 N-0240-01

**CONCRETE SAFETY BARRIER (SPECIAL)**

21ST ST. OVER CHISHOLM CREEK

STA. 1+978

CITY OF WICHITA



**Cook, Flatt & Strobel**  
ENGINEERS, P.A.

DESIGNED	KMB	SCALE
DETAILED	DEG	DATE
QUANTITIES		SHEET
		OF

J:\02518\DWG\RCB1 1:50 (1:05)