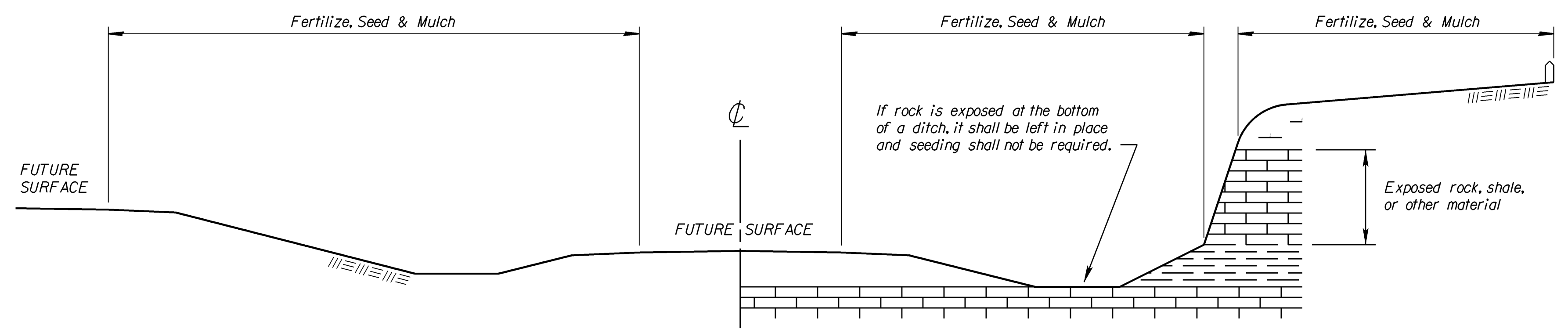
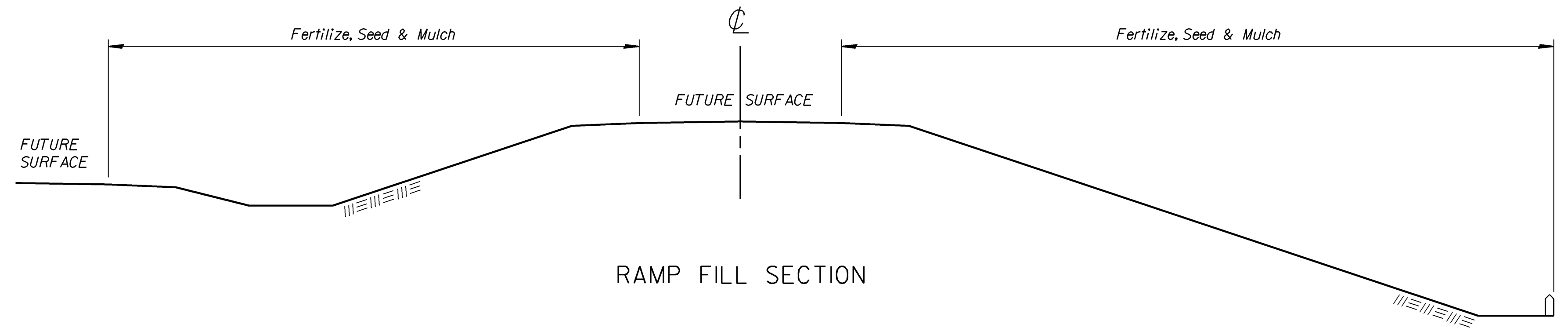


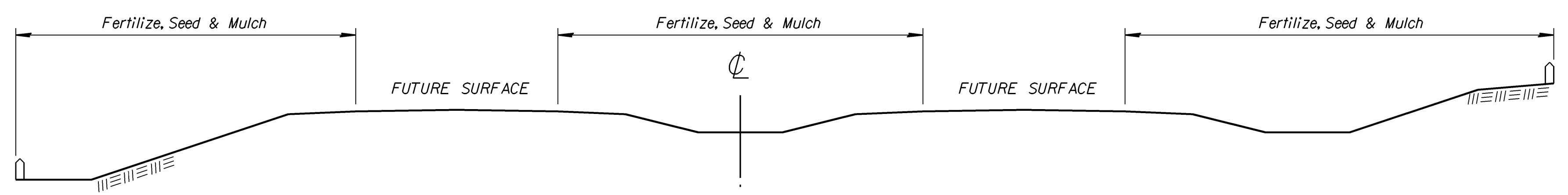
STATE	PROJECT NO.	YEAR	SHEET NO.	TOTAL SHEETS
KANSAS	54-87 K-8258-05	2003	36	51



RAMP CUT SECTION



RAMP FILL SECTION

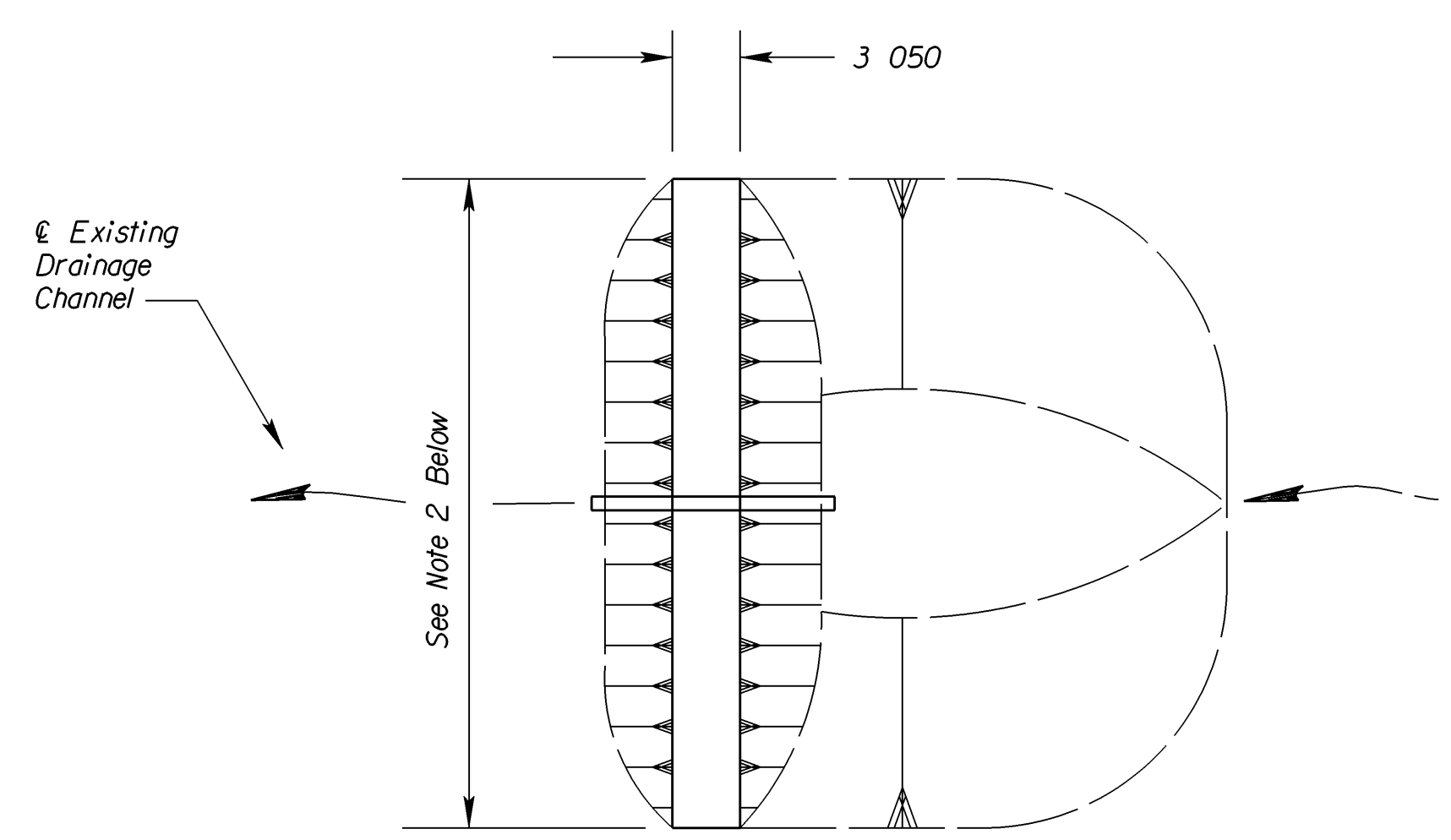


TYPICAL SECTION -- DUAL PAVEMENT

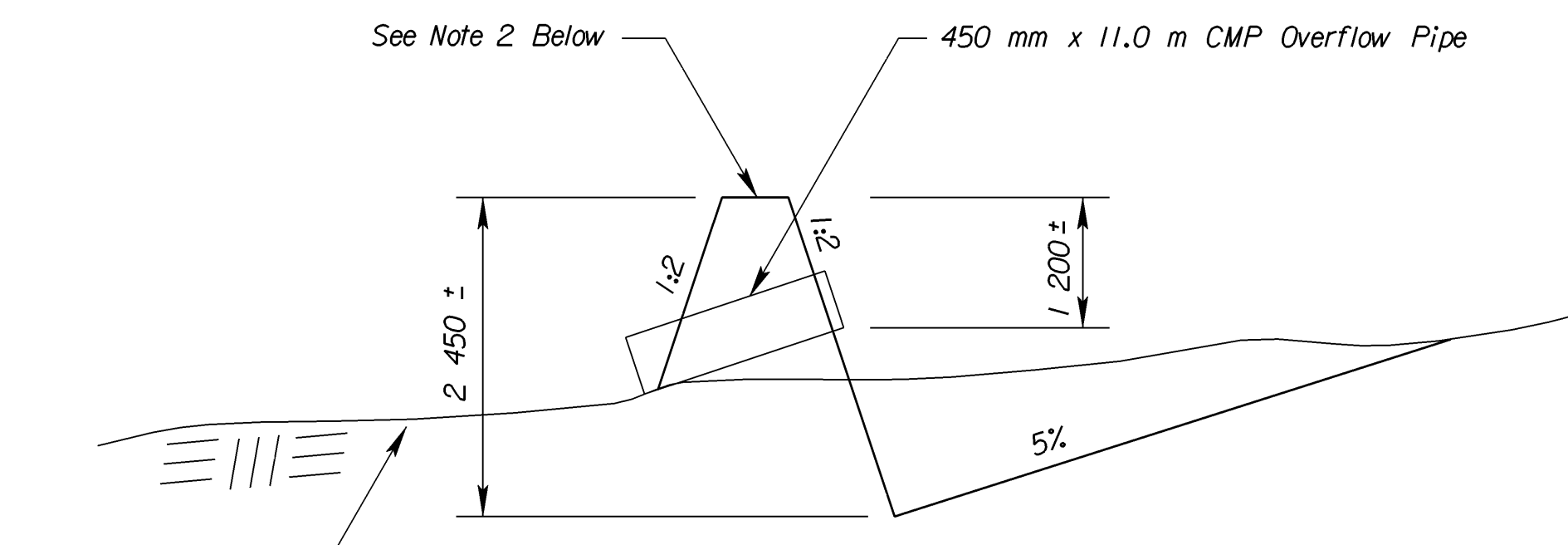


FILL SECTION

CUT SECTION



PLAN



PROFILE

TEMPORARY SEDIMENT BASIN

- NOTES:
- 1) Temporary Sediment Basins shall be constructed at locations as directed by the Engineer. All work and materials necessary for the construction of Temporary Sediment Basins shall be paid for as the bid item "Temporary Sediment Basin". The 450 mm x 11.0 m overflow pipe will be SUBSIDIARY to the bid item "Temporary Sediment Basin". The Temporary Sediment Basins shall be removed by KDOT District forces after seeding has been established if desired by the respective land owners.
 - 2) Lengths and top elevations shall be determined in the field by the Engineer.
 - 3) All dimensions are approximate.

GENERAL: The entire disturbed area, excepting the paved or surfaced areas, steep rocky slopes and areas of undisturbed native sod or other desirable vegetation shall be fertilized (limed when required), seeded, and mulched. Soil preparation shall conform to the Standard Specifications.

Temporary seeding shall be done during any time of the year that the soil can be cultivated. After the temporary seeding has been completed on the entire project, a permanent seeding shall be done by another project during the normal seeding season.

The Contractor will be required to finish areas of excavation, borrow and embankment in accordance with the specifications. Areas that require installation or construction of temporary water pollution control items will be finished in reasonable close conformity to the alignment, grade and cross section shown on the plans or as established by the Engineer.

FERTILIZER: A ratio and application rate that equals or exceeds the required minimum rate per hectare of N, P₂O₅, K₂O listed in Summary of Quantities will be acceptable.

MULCHING: Mulch shall be spread uniformly over all disturbed areas and punched in the soil, unless otherwise noted on the plans. The rate of application per hectare, thickness in place, for the various mulching materials are as follows:

Prairie Hay	3,900 - 5,000 Kilograms per Hectare	= 40mm loose depth spread uniformly over hectare.
Bromegrass	3,900 - 5,000 Kilograms per Hectare	= 40mm loose depth spread uniformly over hectare.
Wheat or Oats Straw	3,400 - 4,500 Kilograms per Hectare	= 80mm loose depth spread uniformly over hectare.
Wood Chips	9,000 - 11,200 Kilograms per Hectare	= 25-50mm loose depth spread uniformly over hectare.
Wood Fiber	1,700 - 2,200 Kilograms per Hectare	= loose depth spread uniformly over hectare.
Other vegetative mulches (Acceptable only with the Engineer's concurrence).		

The above rates are a guide. It will be at the discretion of the Engineer to determine what rate is sufficient for adequate protection of newly seeded areas.

The amount of mulch in the bid quantities is estimated. The total mulch required shall be determined in the field. The bid item for mulching shall be paid for by one of the following ways: A) Plan quantity as shown on Summary of Quantities, Seeding Sheet or Water Pollution Control Sheet, B) Slope measurement as measured in field, or C) Drill measurement less 5% as measured at the time of seeding.

SUMMARY OF SEEDING QUANTITIES: PROJECTS OF 0.4 HA. OR MORE

P.L.S. RATE/HECTARE	HECTARES	BID ITEM	QUANTITY	UNIT
		Fertilizer (* - * - *)		kg
		Ryegrass Seed		kg
		Foxtail Millet Seed		kg
		Agricultural Limestone		Mg
		Temporary Berm		m
		Temporary Ditch Check		m
		Temporary Inlet Sediment Barrier		Each
		Temporary Sediment Basin		cu m
		Temporary Slope Barrier (Set)		m
		Temporary Slope Drain		m
		Temporary Stream Crossing		Each
		Sediment Removal (Set) ①		cu m
		Mulching (Temporary)		ha

SUMMARY OF SEEDING QUANTITIES: PROJECTS LESS THAN 0.4 HA.

P.L.S. RATE/HECTARE	HECTARES	BID ITEM	QUANTITY	UNIT
150	0.5	Fertilizer (* - * - *)	75	kg
25	0.5	Ryegrass Seed	13	kg
		Foxtail Millet Seed		kg
		Agricultural Limestone		Mg
		Seeding (TE&PC)		LS
		Temporary Ditch Check		m
		Temporary Slope Barrier (Set) ①	400	m
		Sediment Removal (Set) ①	30	cu m
		Mulching (Temporary)	0.5	ha

* NOTE: Projects of less than 0.4 hectares shall be bid as "Seeding" by lump sum. All disturbed areas shall be seeded, fertilized and mulched at the listed rate per hectare. The hectares are estimated.

- * - N = Nitrogen Rate of Application
- ** - P₂O₅ = Phosphorous Rate of Application
- *** - K₂O = Potassium Rate of Application

5				
4				
3				
2	7/18/03	Revised Standard	FCM	SPV
1	5/10/99	Revised Standard	WCL	RDR
NO.	DATE	REVISIONS	BY	APP'D

KANSAS DEPARTMENT OF TRANSPORTATION

TEMPORARY EROSION AND POLLUTION CONTROL

L852A SI

F.H.W.A. APPROVAL	8/5/03	APP'D	Richard D. Ross
DESIGNED	WCL	DETAILED	WCL
DESIGN CK.	RDR	DETAIL CK.	RDR
		QUAN. CK.	TRACED
			WCL
			TRACE CK.
			RDR

Drawn By: unfiled
 DGN File: \$\$\$\$\$\$DGN\$SPEC\$\$\$\$\$
 Plotted: 10/20/2003
 View: PLOT 1