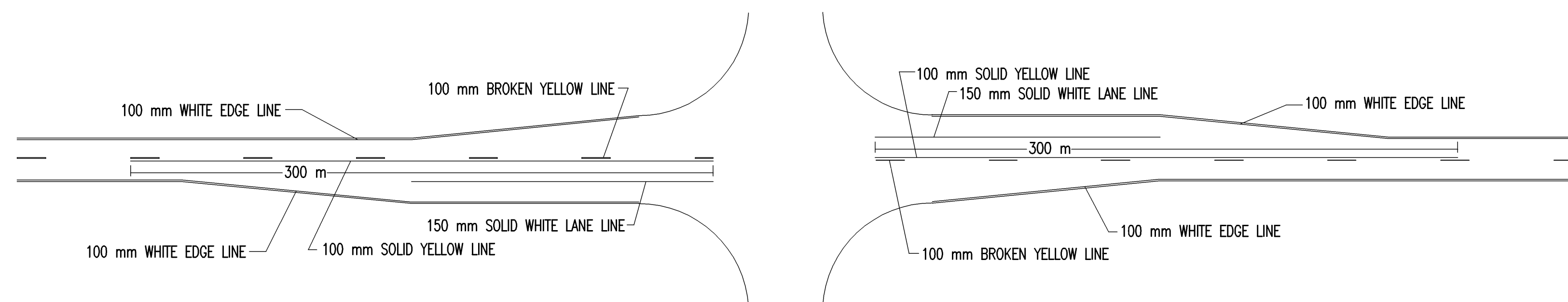
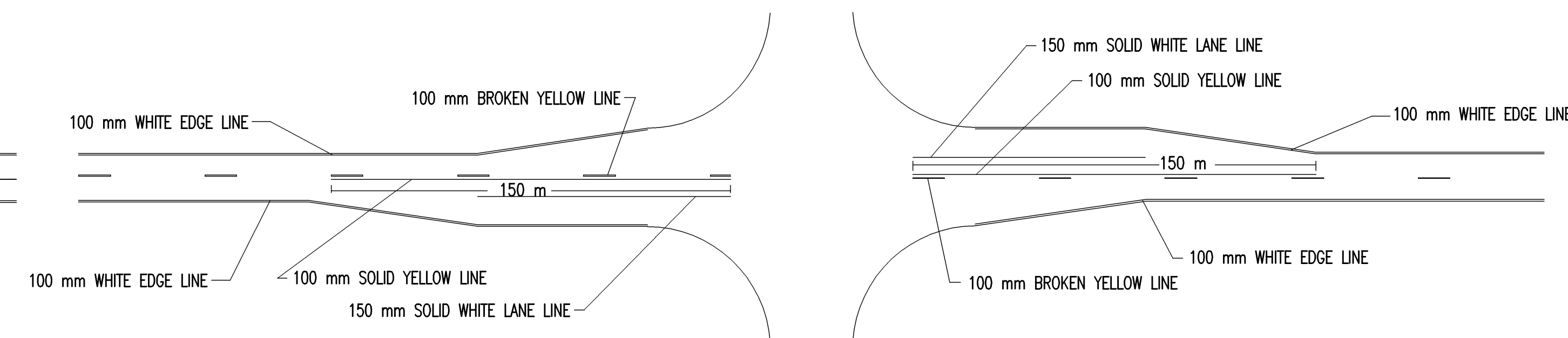


NOTE: ALL PAVEMENT MARKINGS SHALL BE BROKEN AT CROSS ROADS.

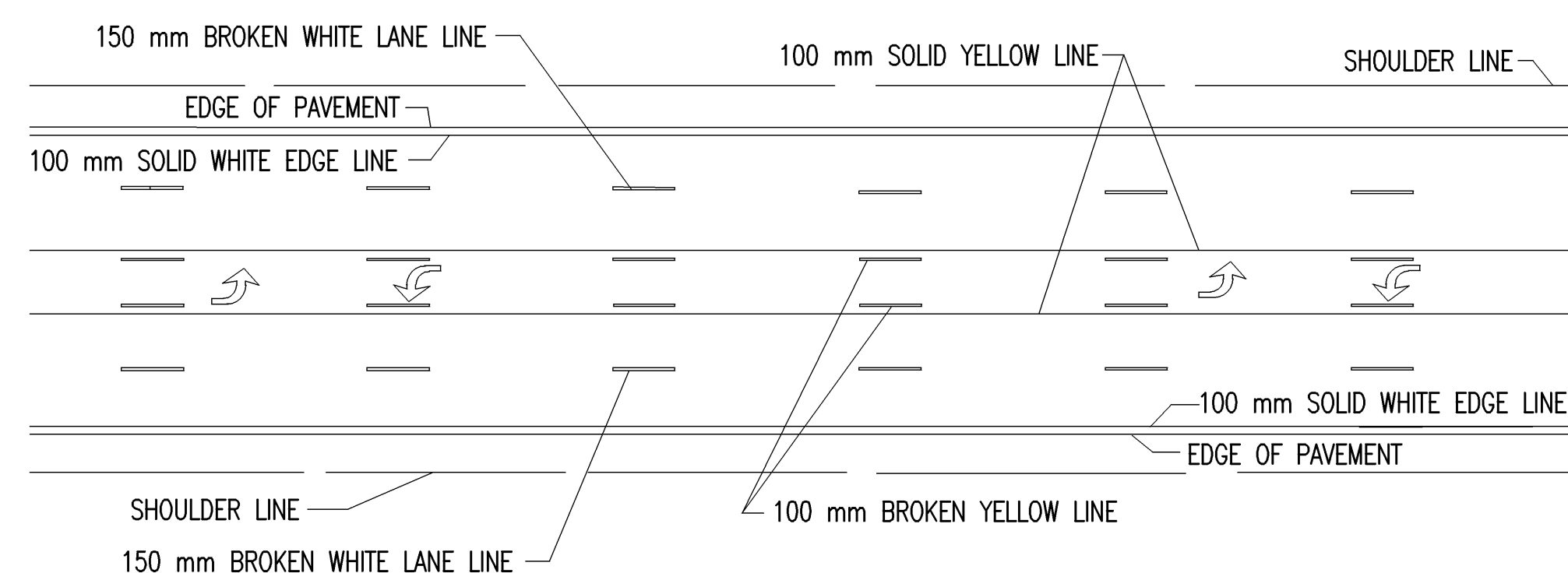


TYPICAL HIGHWAY JUNCTION MARKINGS WITH BYPASS LANES

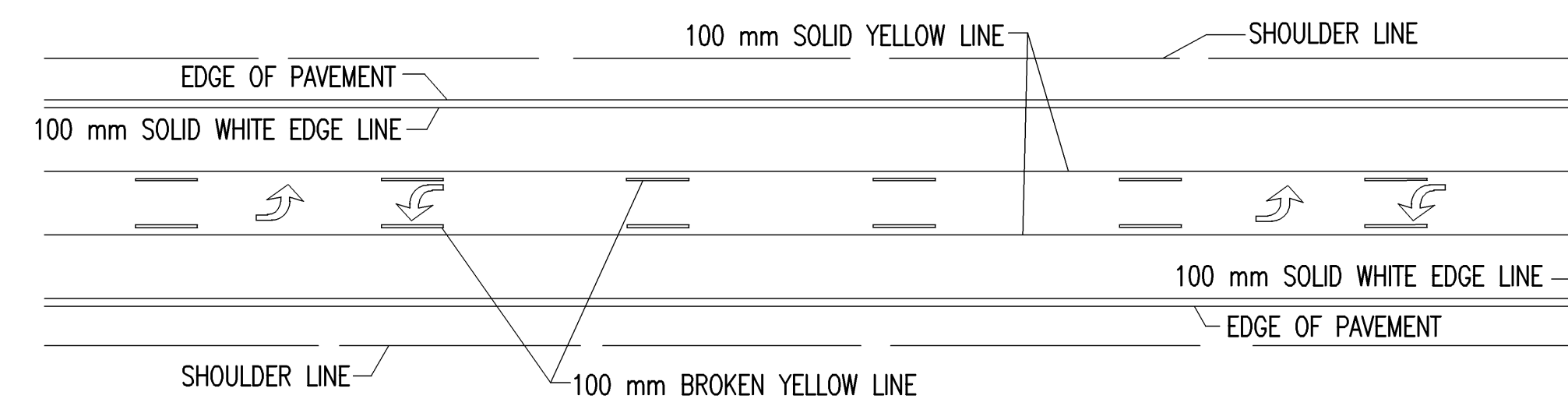
NOTE: ALL PAVEMENT MARKINGS SHALL BE BROKEN AT CROSS ROADS.



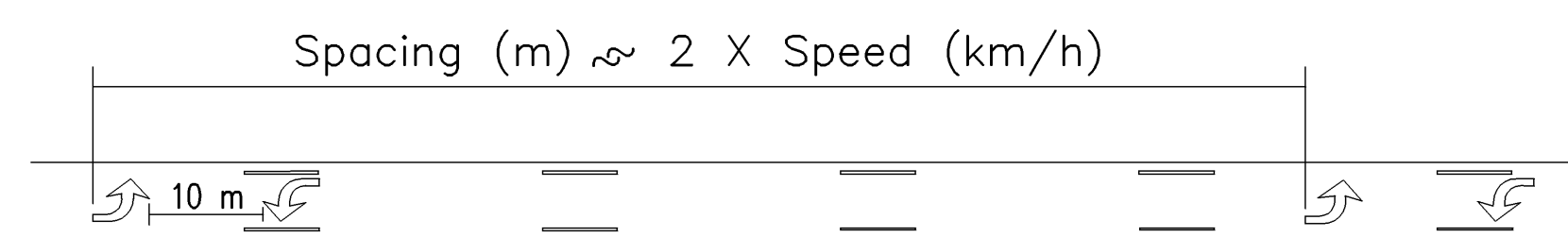
TYPICAL COUNTY ROAD JUNCTION MARKINGS WITH BYPASS LANES



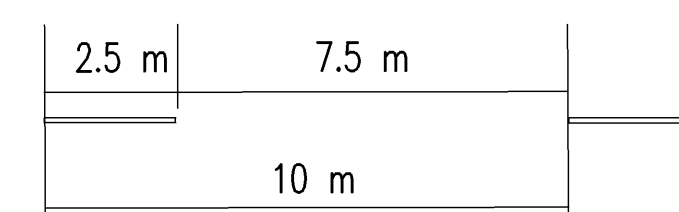
TWO-WAY LEFT TURN DETAIL FOR FIVE LANE ROADWAY



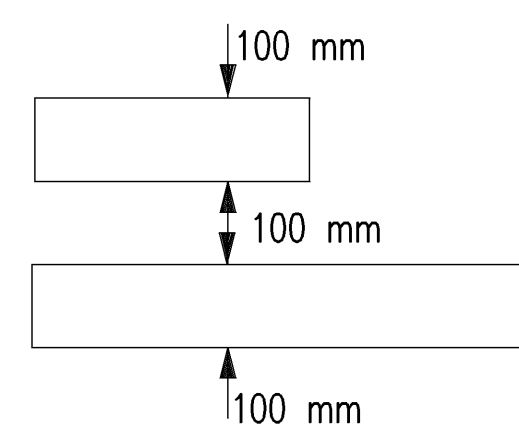
TWO-WAY LEFT TURN DETAIL FOR THREE LANE ROADWAY



TWO-WAY LEFT TURN ARROW SPACING DETAIL

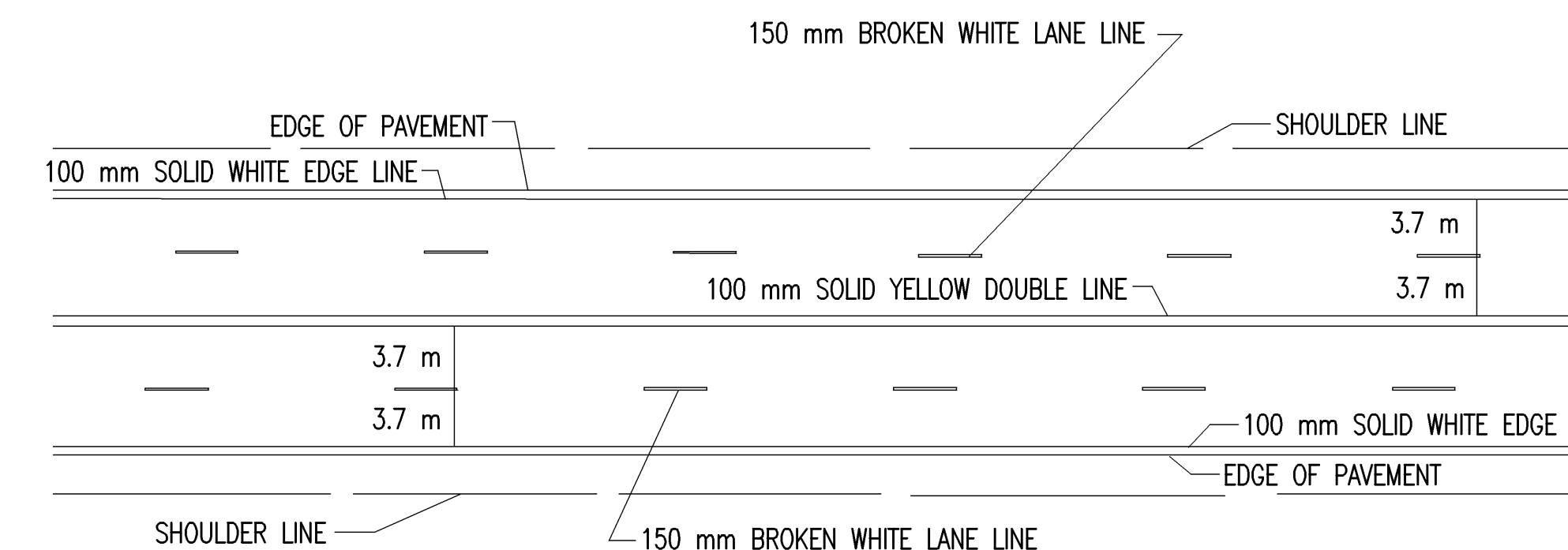


TYPICAL SPACING FOR BROKEN LINES UNLESS OTHERWISE NOTED ON PLANS

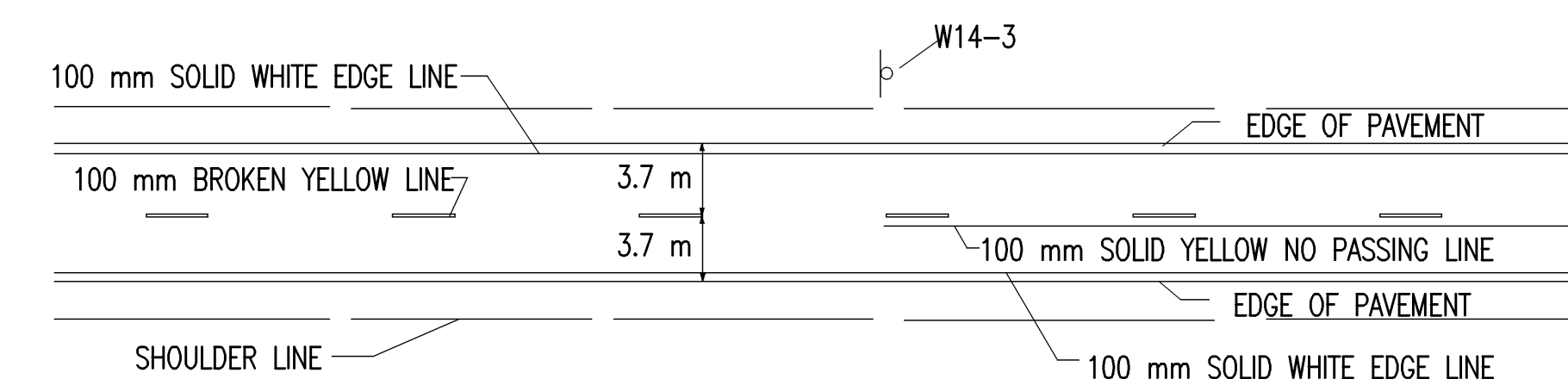


TYPICAL SPACING FOR NO PASSING LINES UNLESS OTHERWISE NOTED ON PLANS

SPEED CONVERSION CHART	
MPH	km/h
20	30
25	40
30	50
35	60
40	60
45	70
50	80
55	90
60	100
65	110
70	110



TYPICAL MARKINGS FOR FOUR LANE ROADWAY



TYPICAL TWO LANE MARKINGS

NOTE: LONGITUDINAL PAVEMENT MARKING LINES SHALL BE OFFSET A MINIMUM OF 50mm FROM LONGITUDINAL PAVEMENT JOINTS.

3	03/07/98	Add County Road detail	JFF	LGV
2	02/24/98	REFORMATTED W/NEW DETAILS	JFF	LGV
1	03/06/96	BROKEN LINE DETAIL	JFF	JET
NO.	DATE	REVISION	BY	APP'D

KANSAS DEPARTMENT OF TRANSPORTATION

TYPICAL PAVEMENT MARKING DETAILS FOR UNDIVIDED ROADWAYS

TE308SI	05/18/98	APP'D JAMES E. TOBAGEN	05/12/94
DESIGNED JFF	DETAILED GSB	QUANTITIES	TRACED
DESIGN CK. JET	DETAIL CK. JFF	QUAN. CK.	TRACE CK.

Plotted By : @@USERNAME@@ Thacher Bldg., 4th Floor
 Plot File : @DCNSPEC@
 Plot Date : @SYTIME@