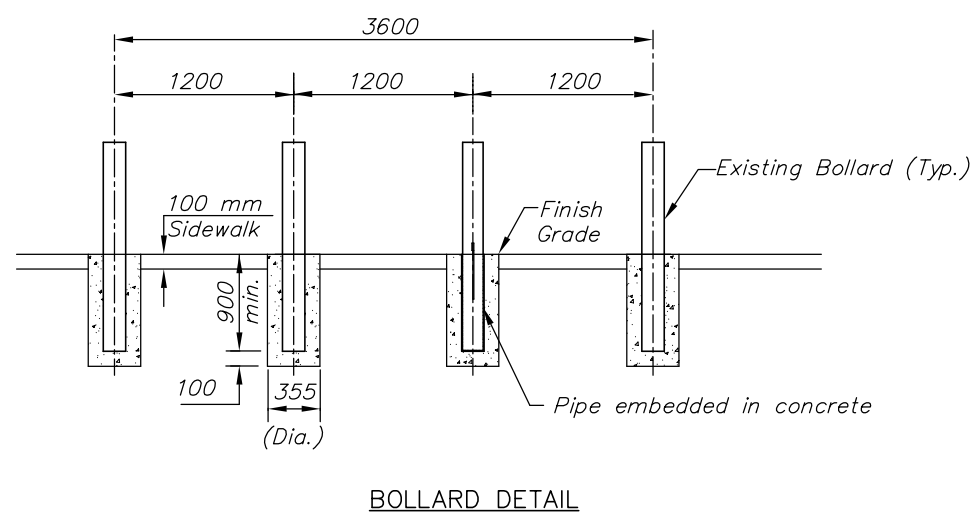
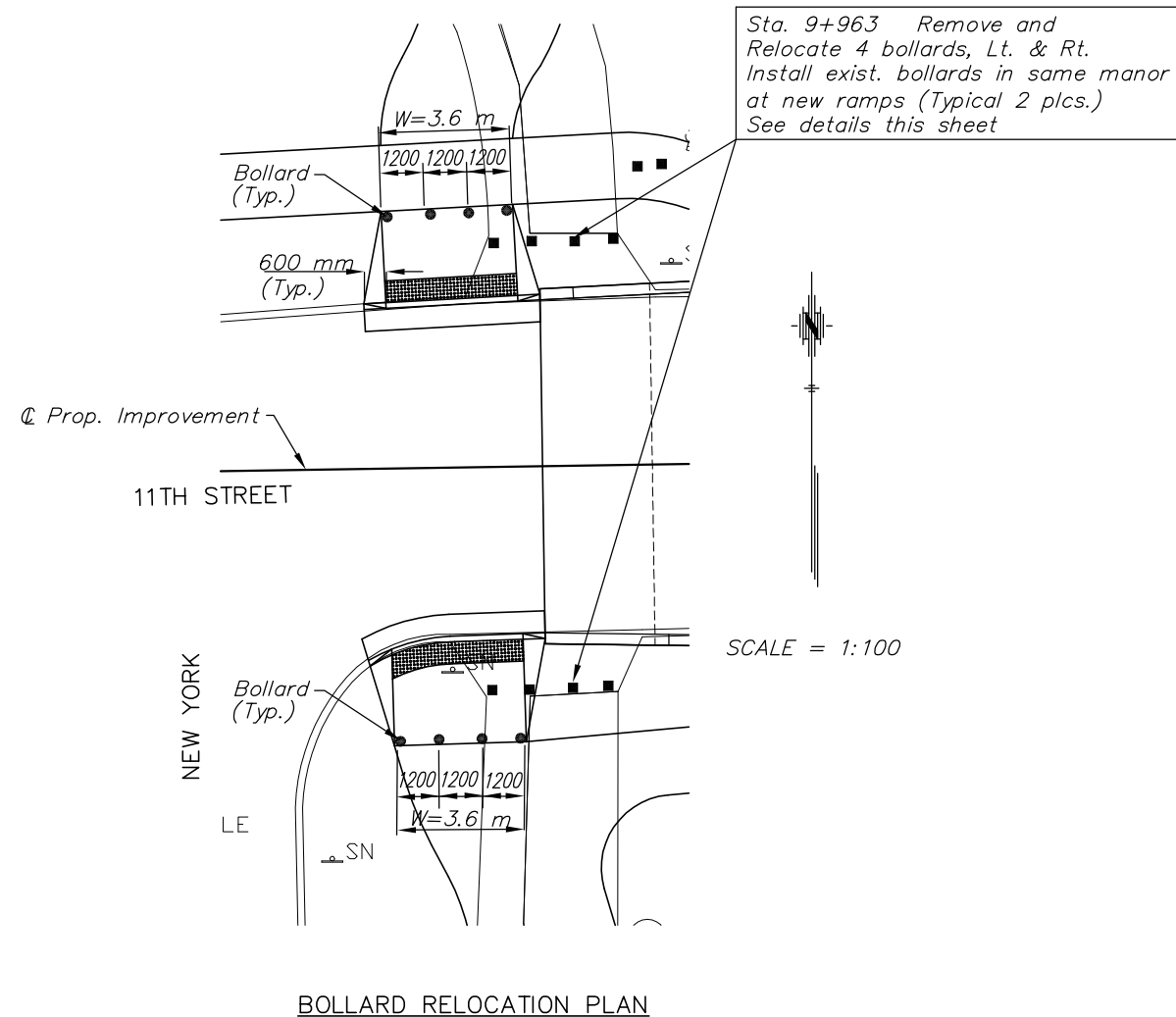
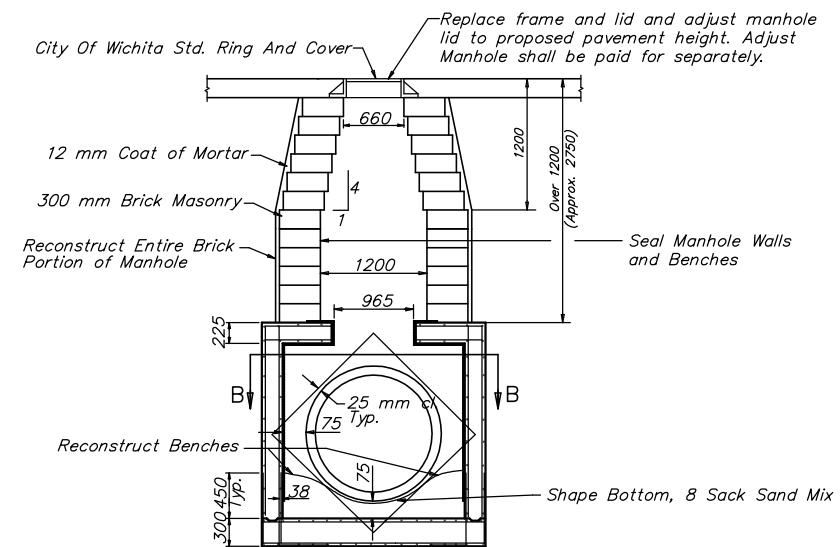


STATE	PROJECT NO.	YEAR	SHEET NO.	TOTAL SHEETS
KANSAS	87 N-0187-01	2006	6	47



NOTE:

- Bollard removal and relocation to be paid subsidiary to "Sidewalk Construction (100 mm)(AE)".
- Contractor has the option of replacing the existing bollards with new bollards if desired.



NOTES:

- All existing manholes have a brick stack constructed over a T-lock lined concrete box.
- Manhole cover castings and manhole frame castings shall conform to the requirements as indicated in the City of Wichita Standard Specifications.
- Reconstructing the brick portion of the manhole shall consist of replacing the manhole down to the T-lock lined concrete box.
- Reconstruction of the benches shall consist of the complete removal of the existing bench and construction of a new bench. Any loose T-lock liner at the bench level shall be cut off and that area covered by the new bench.
- Sealing manhole wall and benches shall consist of the following:
All exposed brick within the manholes shall first be sealed with either Stong-Seal MS-2A or Quadex QM-1S cementitious coatings. (this won't apply to any precast or concrete areas) Cementitious material shall be finished with a heavy brush finish.
All manholes shall be final coated with either Raven 405 Ultra High Build Epoxy, Sauereisen Sewergard 210S Epoxy or Zebtron Polyurethane, and the entire manhole shall be sealed from the existing benches to the top of the manhole.
Surface preparation, materials, application & curing shall be according to each manufacturer's specifications.
- Manufacturer's specifications for both Quadex and Strong-Seal require a minimum application thickness of 12 mm. Contractor is responsible to perform thickness tests by measuring the depth of the product while it is still wet, for verification by the Public Works Engineer or Inspector.
- Raven, Sauereisen or Zebtron shall be applied at a minimum thickness of 90 mils.
- Contractor is responsible for verification of the manhole depths.
- Work shall be paid for as "Sanitary Sewer Manhole Rehabilitation" with exception of adjusting the frame and lid.

G:\CIVIL\98169\05693\PP\05693DLDWG 2/14/2006 3:39:44 PM CST

KANSAS DEPARTMENT OF TRANSPORTATION

MISCELLANEOUS DETAILS

PROJECT NO. 87 N-0187-01 SEDGWICK CO.

M K E C ENGINEERING CONSULTANTS, INC.
WICHITA, KANSAS

DESIGNED BY:	JRA	CHECKED BY:	KJS
DRAWN BY:	DPG/JSB	DATE:	FEB. 2006 SHEET 6 OF 47