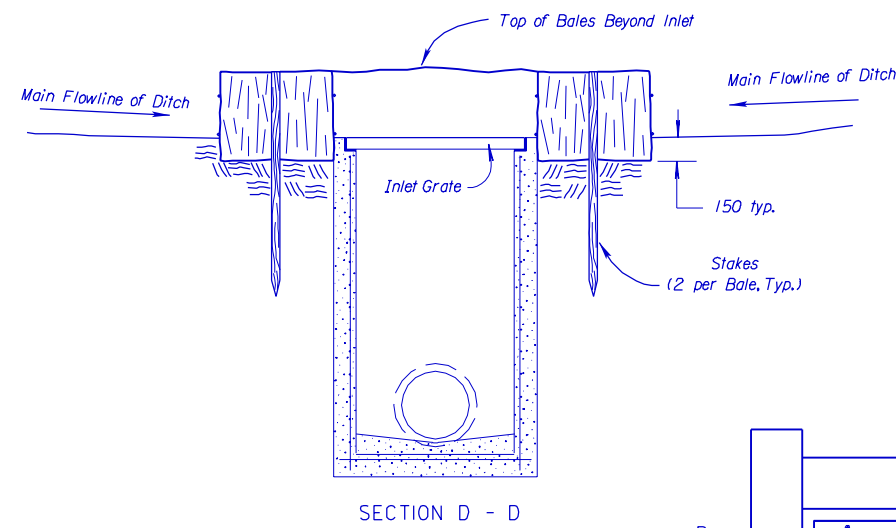
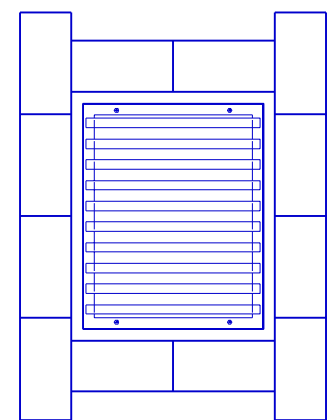


STATE	PROJECT NO.	YEAR	SHEET NO.	TOTAL SHEETS
KANSAS	87 N-0187-01	2006	33	47



SECTION D - D

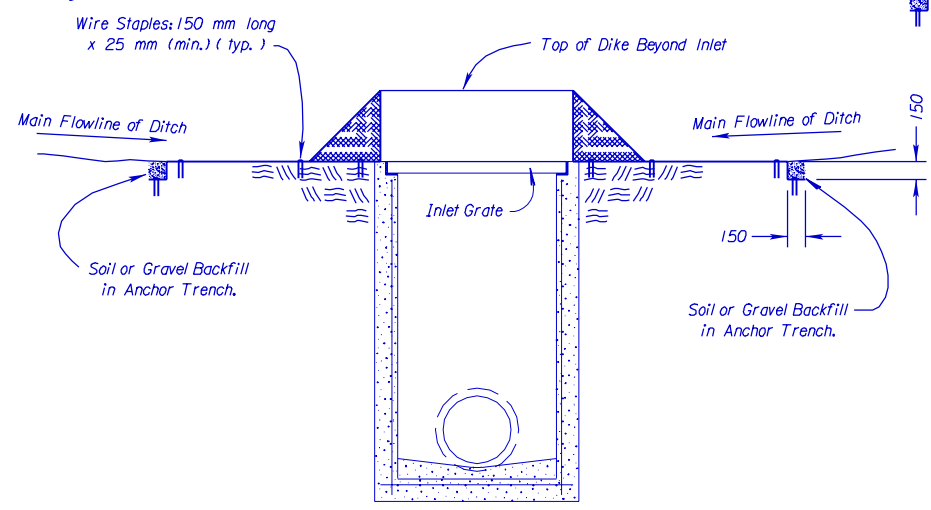


PLAN

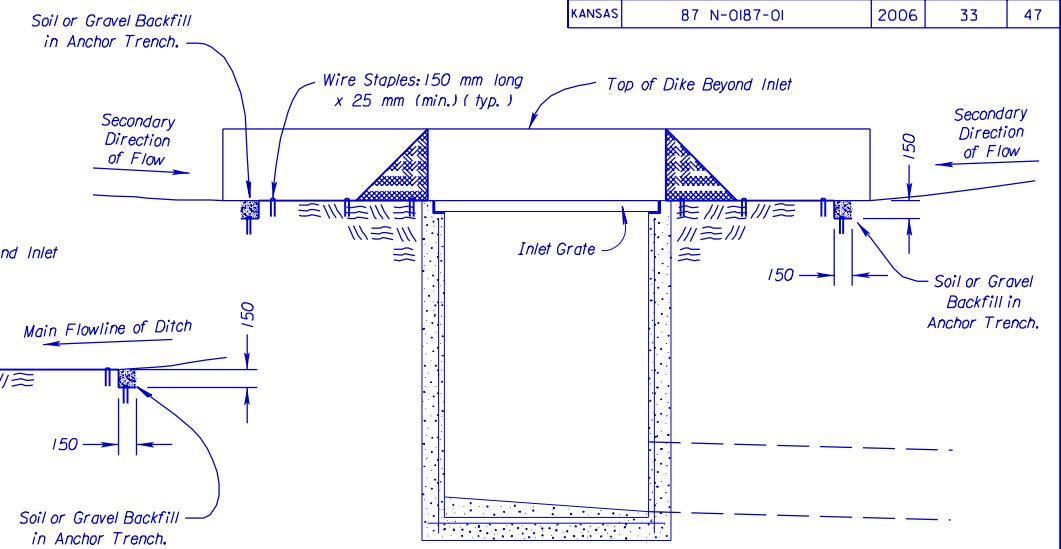
NOTES:

The use of Straw or Hay Bales, Silt Fence or Triangular Silt Dike for Temporary Inlet Sediment Barrier is at the option of the Contractor.

Agricultural products, such as native prairie hay, used for mulching and erosion control practices, excluding wood based mulch, shall meet the North American Weed Free Forage Standards. Refer to Special Provision Subsection 2108.04 "Mulching".



SECTION A - A



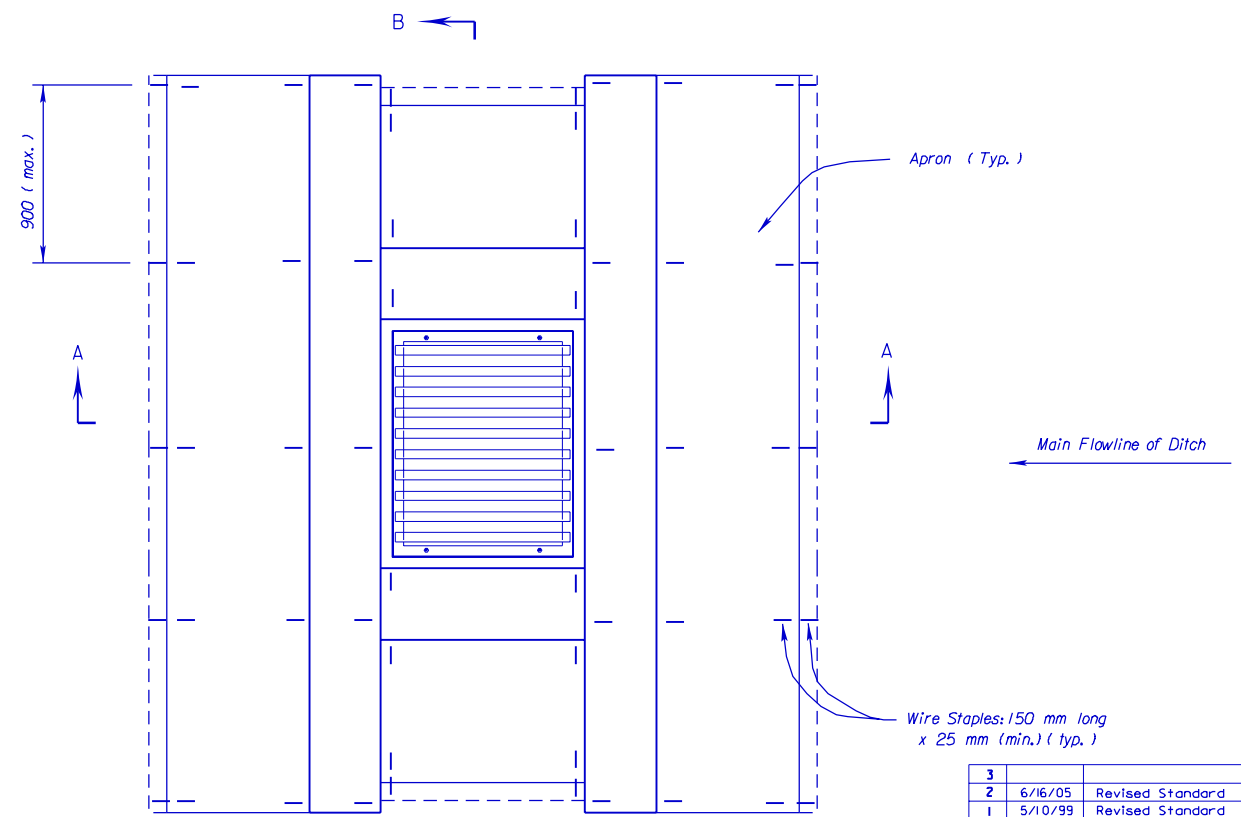
SECTION B - B

STRAW OR HAY BALES:

1. Place bales tightly together, with loose straw or hay wedged between bales to close off openings.
2. Wood stakes shall be 50 mm x 50 mm (nom.) x 1 200 mm (min.) long.
3. Refer to plans sheets to estimate the number of bales required.
4. Use only twine to bind bales. The use of wire binding is prohibited because it does not readily biodegrade.

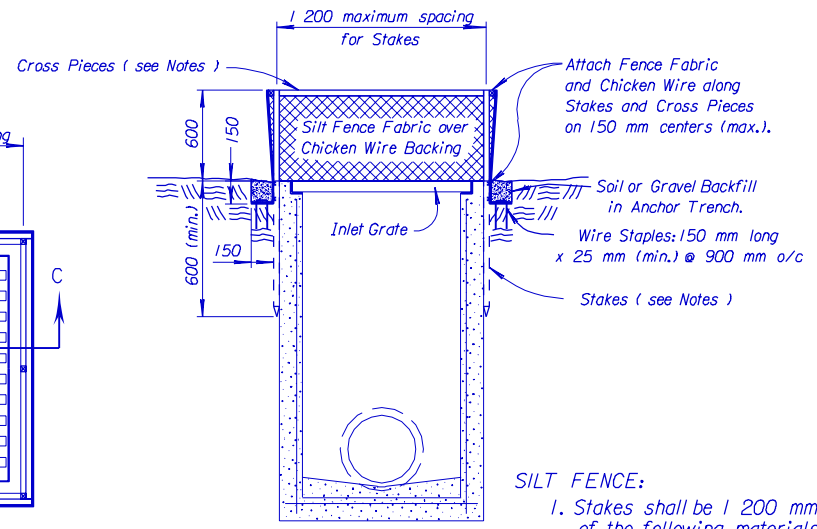
TEMPORARY INLET SEDIMENT BARRIER (STRAW OR HAY BALE METHOD)

NO SCALE



PLAN

NO SCALE



SECTION C - C

SILT FENCE:

1. Stakes shall be 1 200 mm (min.) long and of one of the following materials:
 - a. Hardwood - 30 mm x 30 mm;
 - b. Southern Pine (No. 2) - 65 mm x 65 mm;
 - c. Steel U, T, L, or C Section - 600 grams per 300 mm; or
 - d. Synthetic - same strength as wood stakes.
2. Cross Pieces shall be of same material as Stakes.
3. Attach fence fabric to stakes with staples, wire or nails.
4. Refer to plan sheets to estimate the length of Silt Fence required.

TEMPORARY INLET SEDIMENT BARRIER (SILT FENCE METHOD)

NO SCALE

3					
2	6/16/05	Revised Standard		SHS	SHS
1	5/10/99	Revised Standard		WCL	RDR
NO.	DATE	REVISIONS		BY	APP'D

KANSAS DEPARTMENT OF TRANSPORTATION
TEMPORARY EROSION AND POLLUTION CONTROL
 TEMP. INLET SEDIMENT BARRIER (SILT FENCE)
 TEMP. INLET SEDIMENT BARRIER (BALES)
 TEMP. INLET SEDIMENT BARRIER (T.S.D.)
 LA852C SI

F.H.W.A. APPROVAL	6/22/2005	APP'D	Scott H. Shields
DESIGNED	MRM	DETAILED	MRM
QUANTITIES	TRACED	MRM	
DESIGN CK.	SHS	DETAIL CK.	SHS
QUAN. CK.	TRACED	CK.	SHS

33

Drawn By: examples
 DGN File: c:\civ\198169\05693\06\N0852csi.dgn
 Plotted: 7/27/2006