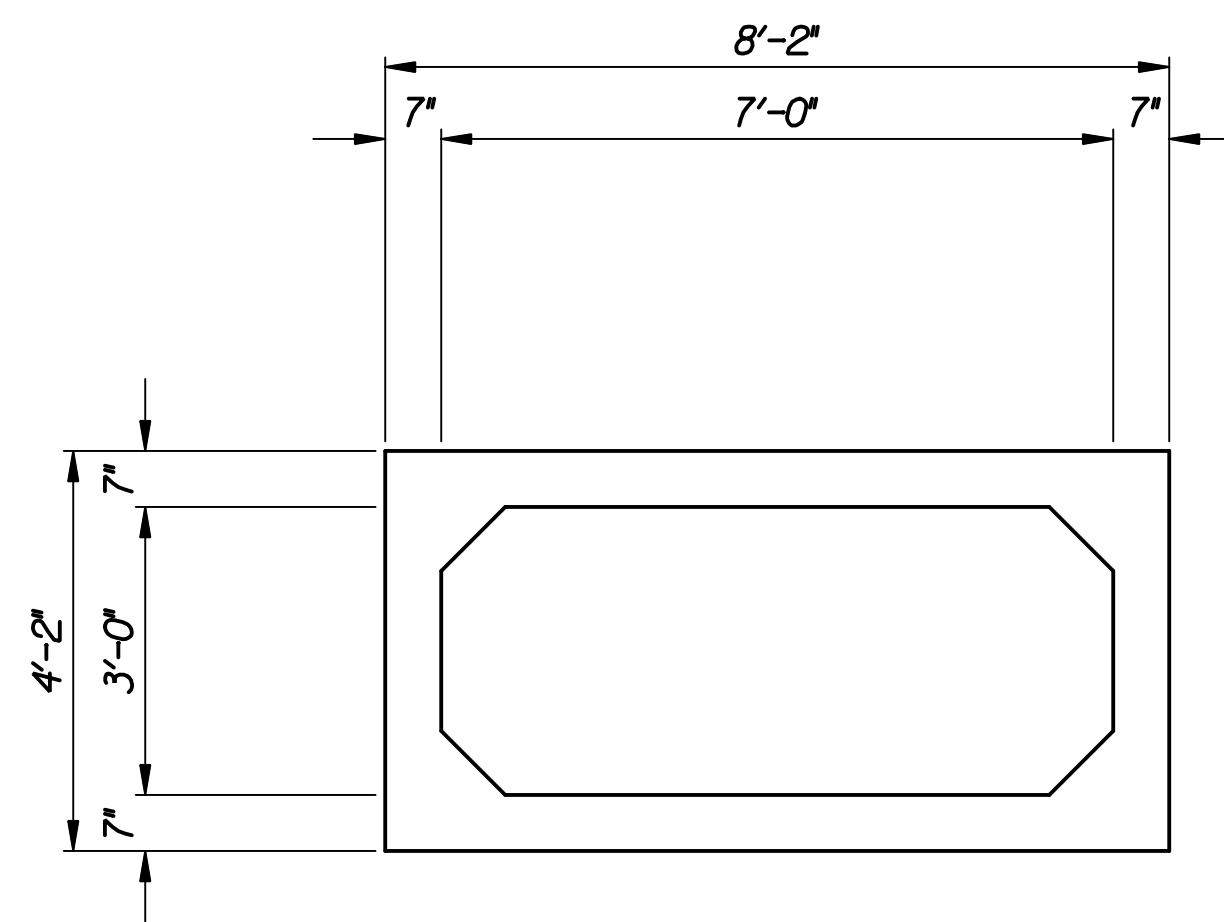
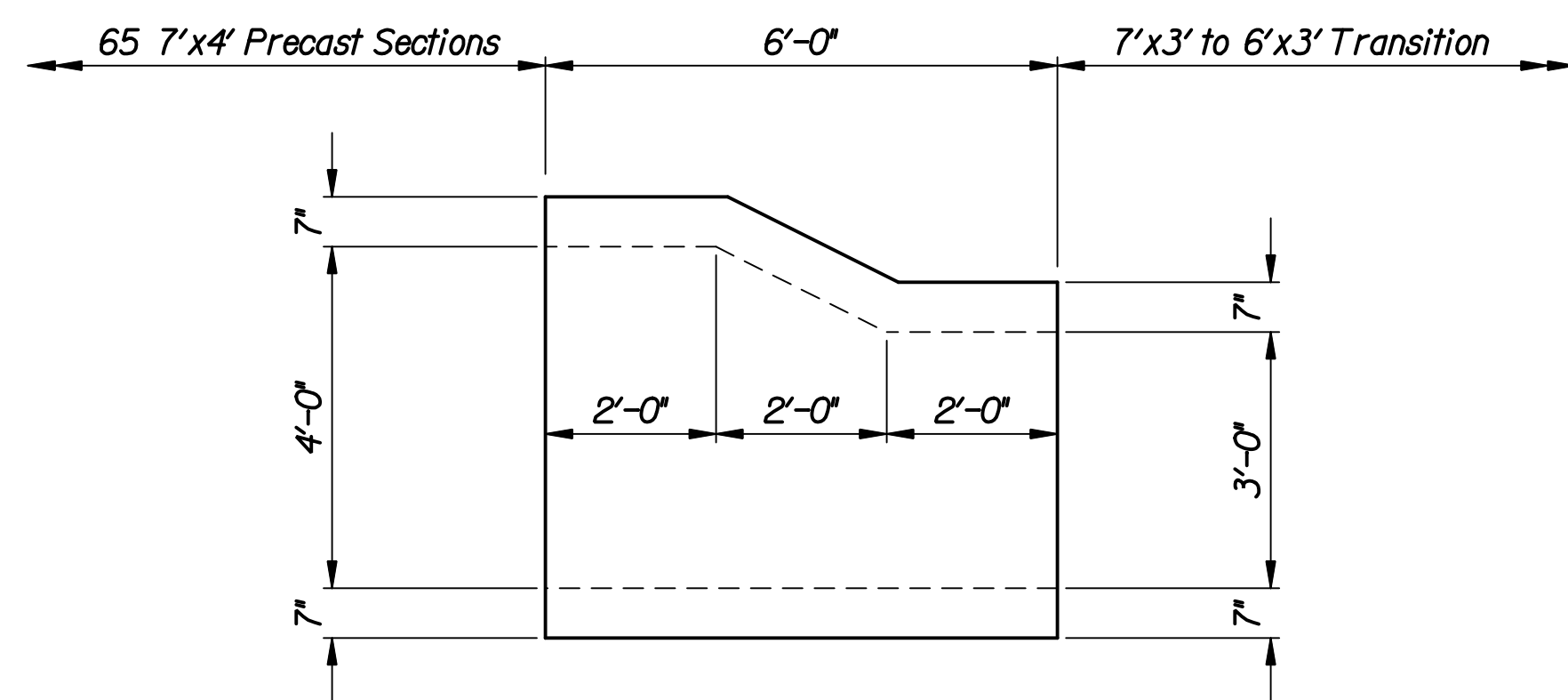


TYPICAL SECTION
(7'-0" x 4'-0" R.C.B.)



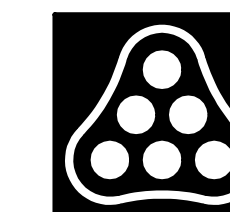
TYPICAL SECTION
(7'-0" x 3'-0" R.C.B.)



ELEVATION

PAYMENT: The 7'x4' to 7'x3' R.C.B. Transition shall be paid for as 7'x4' R.C.B.

Plotted: 10-26-2006 drp
Plot Scale 1"=4' 2/26/2007
i:\2005\05493-2\Waterman\05493-002-RCB Trans.dgn



No.	Revision	By	Date
DOWNTOWN ARENA SWD OUTFALL PHASE 2 - WATERMAN PORTION			
7'x4' TO 7'x3' R.C.B. TRANSITION			
<small>JAMES L. ARMOUR, P.E. - CITY ENGINEER CITY OF WICHITA PROJECT NO. 468-84167</small>			
Professional Engineering Consultants, P.A. <small>303 S. TOPEKA • WICHITA, KANSAS 67202 316-262-2691 • FAX 316-262-3003</small>			
Designed by	MSN	Job No.	32-05493-2-42
Drawn by	MSN	Date	Feb., 2007