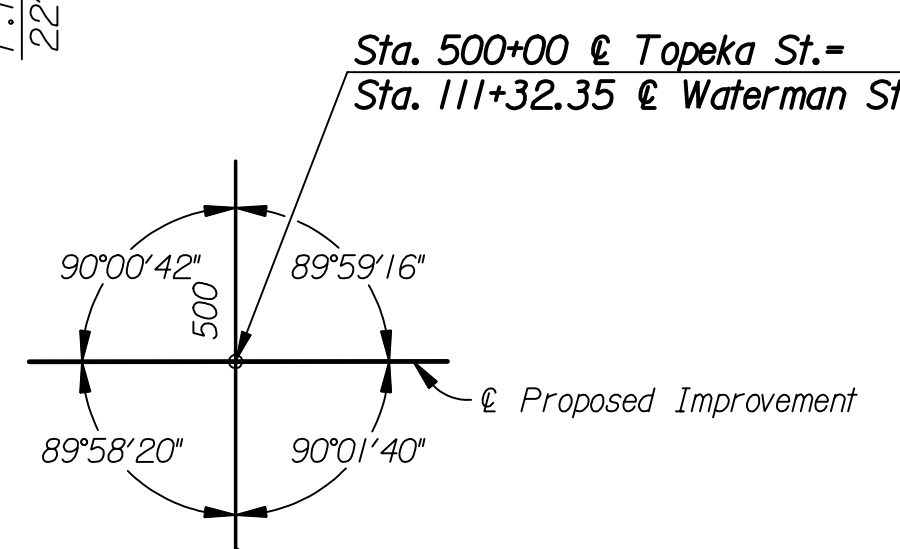
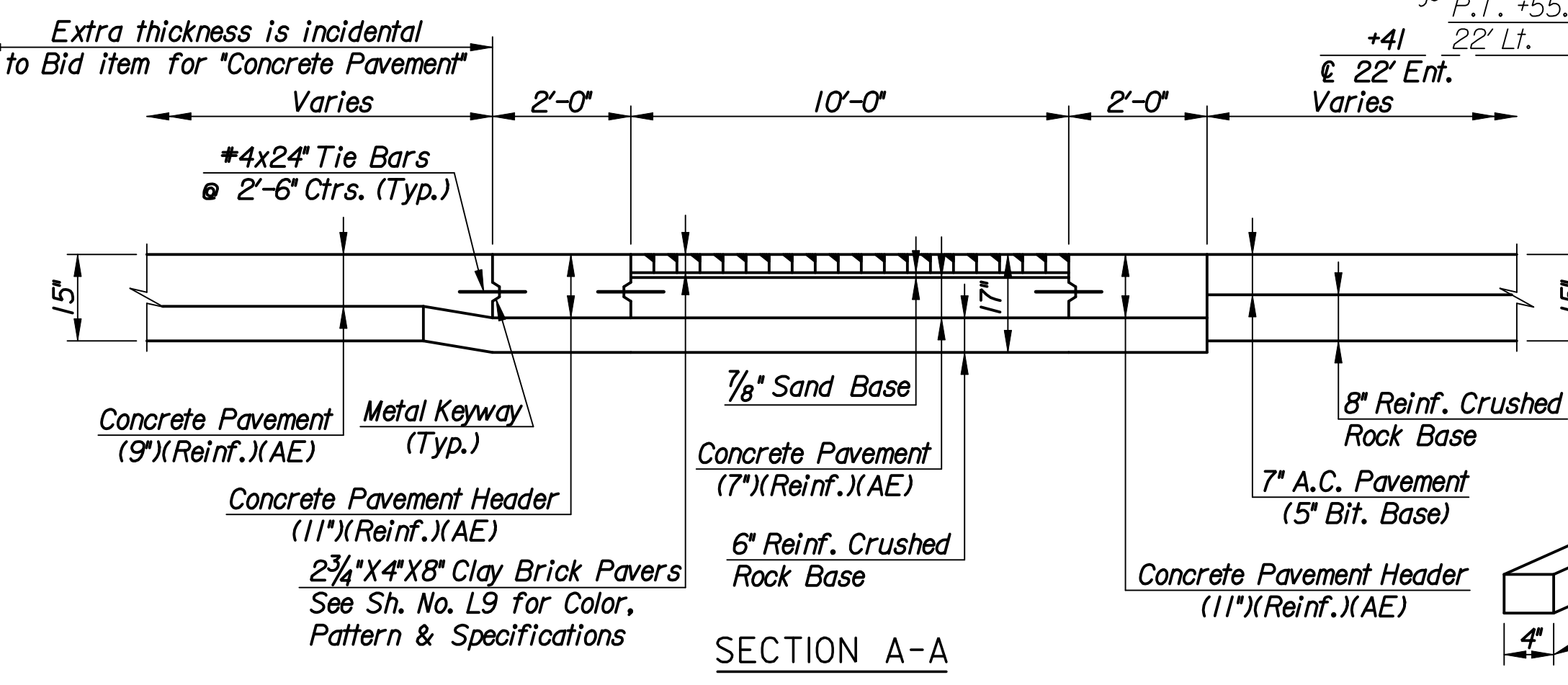
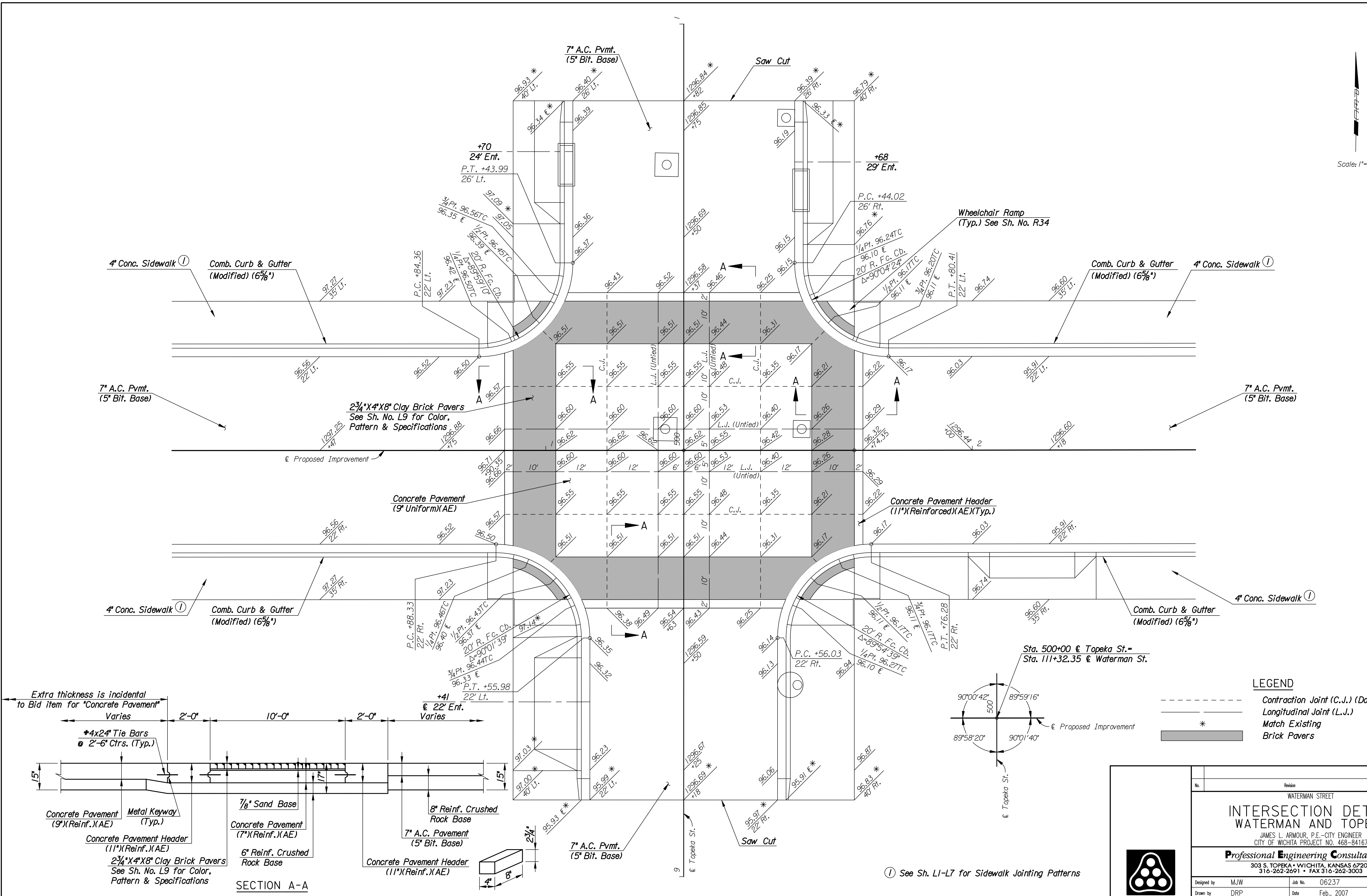
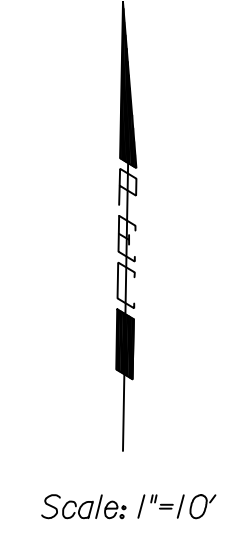


DSNR: MJW OPER: DRP SCALE: 1"=10'
 I:/2006/06237/INTERSECTION/06237-000-INTDILTOPEKA.DGN LAST REV: 2-24-2007 BY: DRP



- LEGEND**
- Contraction Joint (C.J.) (Doweled)
 - - - - - Longitudinal Joint (L.J.)
 - * Match Existing
 - █ Brick Pavers

No.	Revision	By	Date
WATERMAN STREET			
INTERSECTION DETAIL			
WATERMAN AND TOPEKA			
JAMES L. ARMOUR, P.E.—CITY ENGINEER CITY OF WICHITA PROJECT NO. 468-84167			
Professional Engineering Consultants, P.A. 303 S. TOPEKA • WICHITA, KANSAS 67202 316-262-2691 • FAX 316-262-3003			
Designed by	MJW	Job No.	06237
Drawn by	DRP	Date	Feb., 2007
			Sht. R18 of R111

① See Sh. LI-L7 for Sidewalk Jointing Patterns