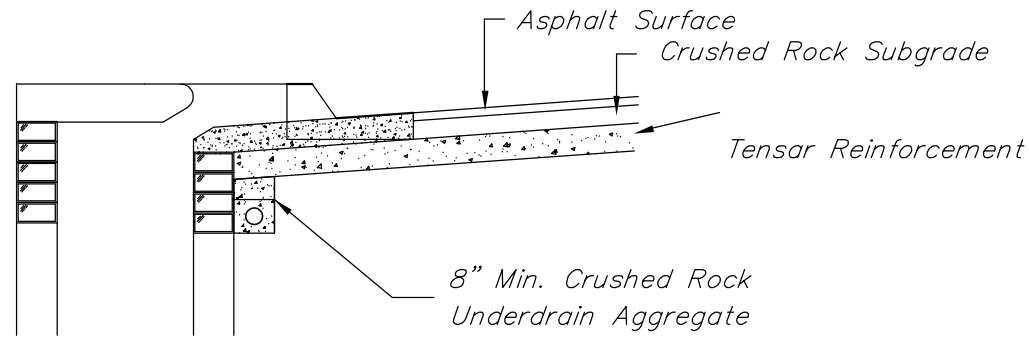


8" Min. Crushed Rock Underdrain Aggregate



8" Min. Crushed Rock Underdrain Aggregate

(Min. 16 Perforations Per Lin. Ft. @ 1/4" Dia.)  
Perforations To Be on Bottom Half

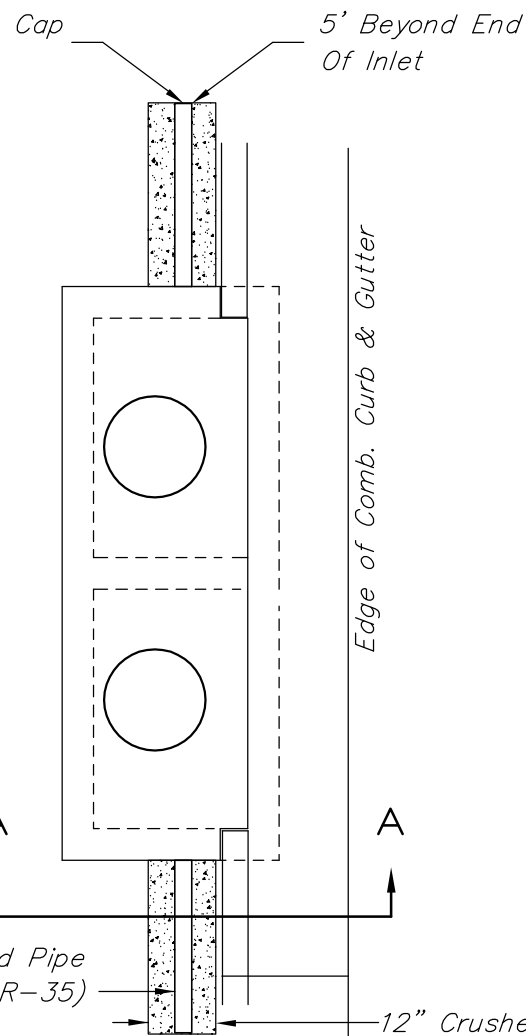
SECTION A-A

CRUSHED ROCK UNDERDRAIN AGGREGATE GRADATION REQUIREMENTS

Percent of Aggregate Retained

1 1/2"	0
3/4"	15-60
# 4	40-80
#40	74-92
P-200	4-12

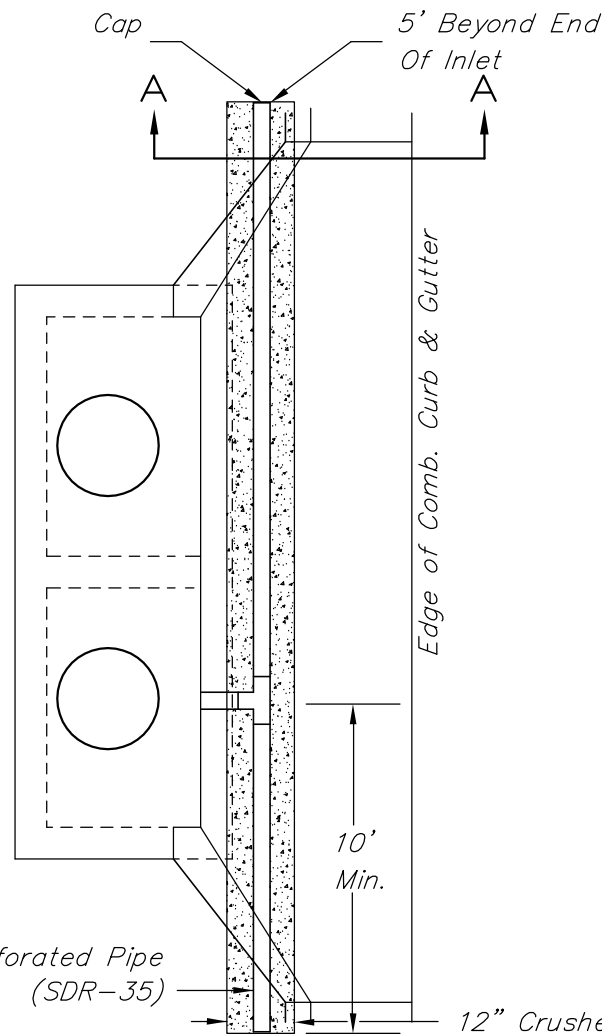
Rock Quality Shall Be The Same As Specified For Coarse Aggregate For Asphalt Concrete Mixes.



4" Dia. PVC Perforated Pipe (SDR-35)

12" Crushed Rock Underdrain Aggregate W/ Filter Fabric

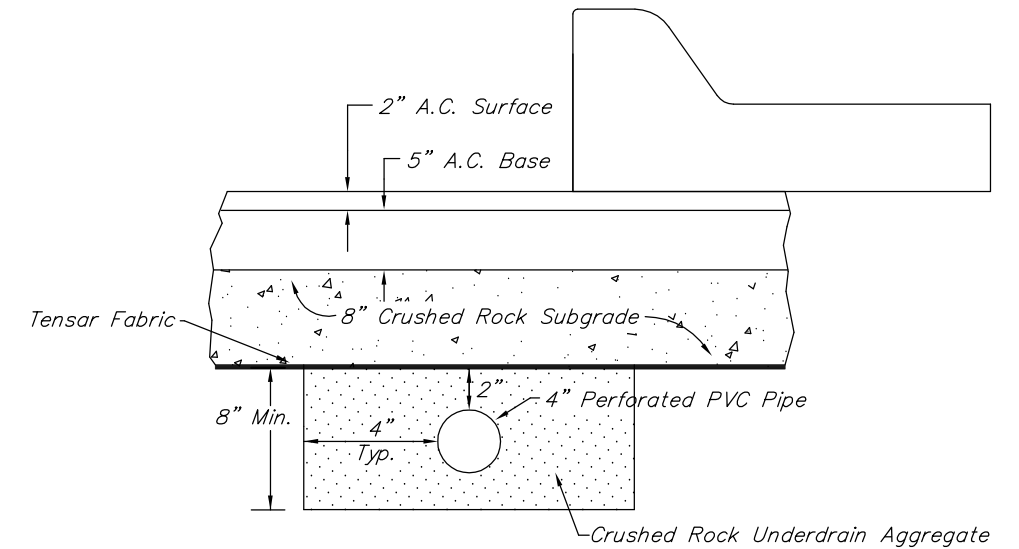
Type 1 & 2 Inlet



4" Dia. PVC Perforated Pipe (SDR-35)

12" Crushed Rock Underdrain Aggregate W/ Filter Fabric

Type 1-A Inlet



PAVEMENT UNDERDRAIN AT SUMPS

NOTE:  
Place 4" PVC Perforated Pipe at all drainage sump locations.

Cost of Underdrain System at sumps to be incidental to the Reinforced Crushed Rock Subgrade.

Refer to "Pipe Connection Detail" on Sheet No. 47 for connections to structures.

THE CITY OF WICHITA

CITY ENGINEER'S OFFICE  
CITY HALL - SEVENTH FLOOR  
455 NORTH MAIN STREET  
WICHITA, KANSAS 67202  
(316) 268-4501  
(316) 268-4114 FAX

PAVEMENT UNDERDRAIN DETAIL

JIM ARMOUR, P.E. - CITY ENGINEER

PROJECT NUMBER 87 N-0307-01 INDEX CODE XXXXXX

DATE DEC 05 SHEET 39 OF 89