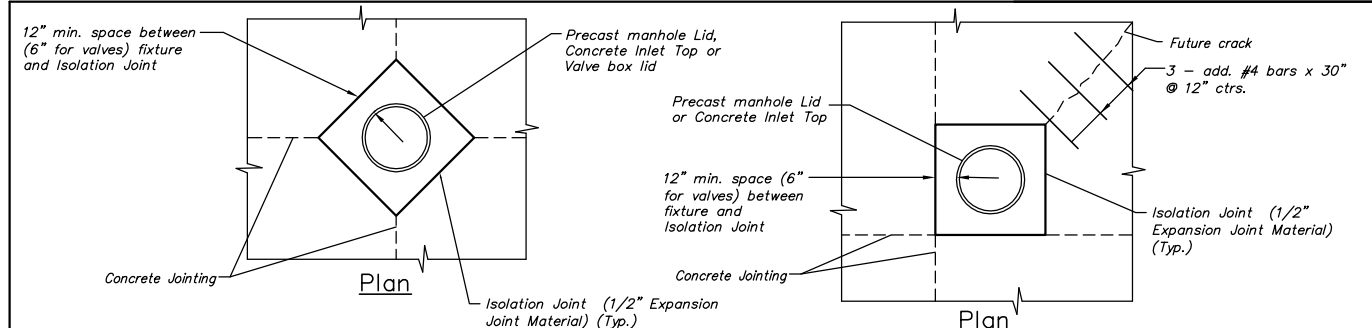
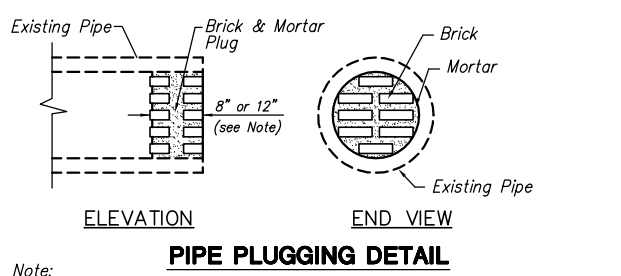
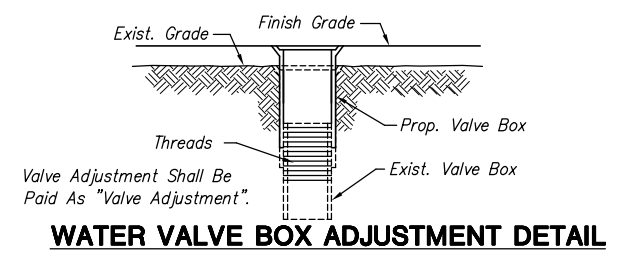
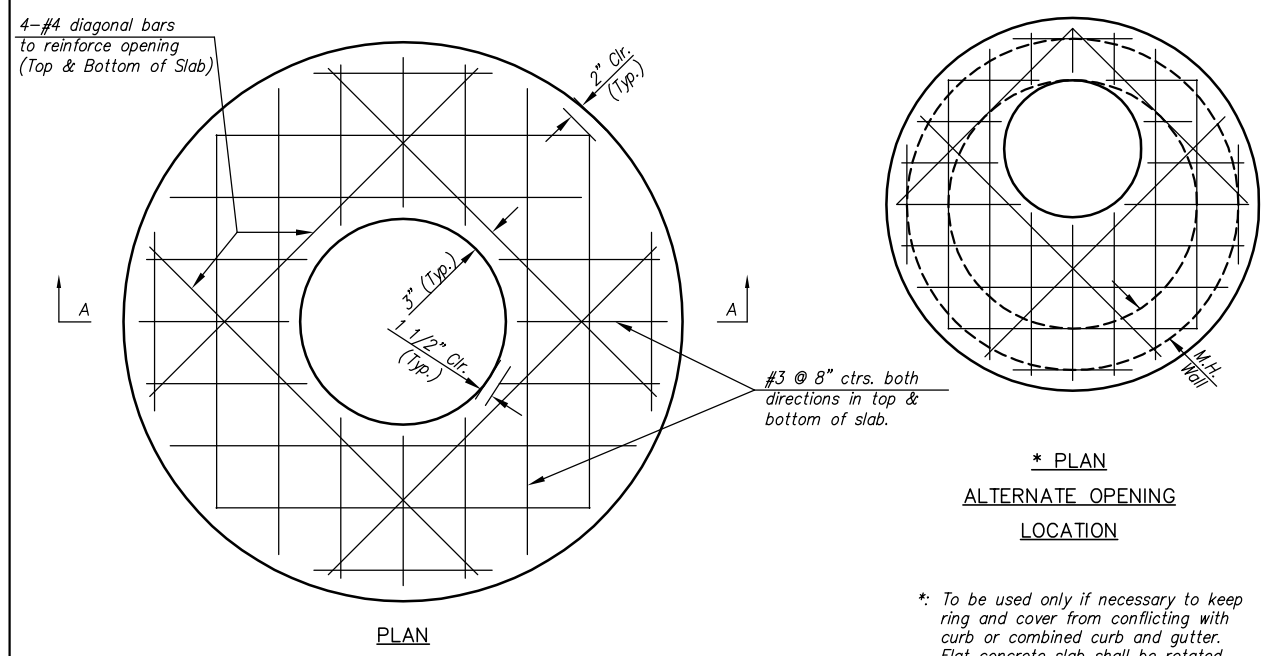
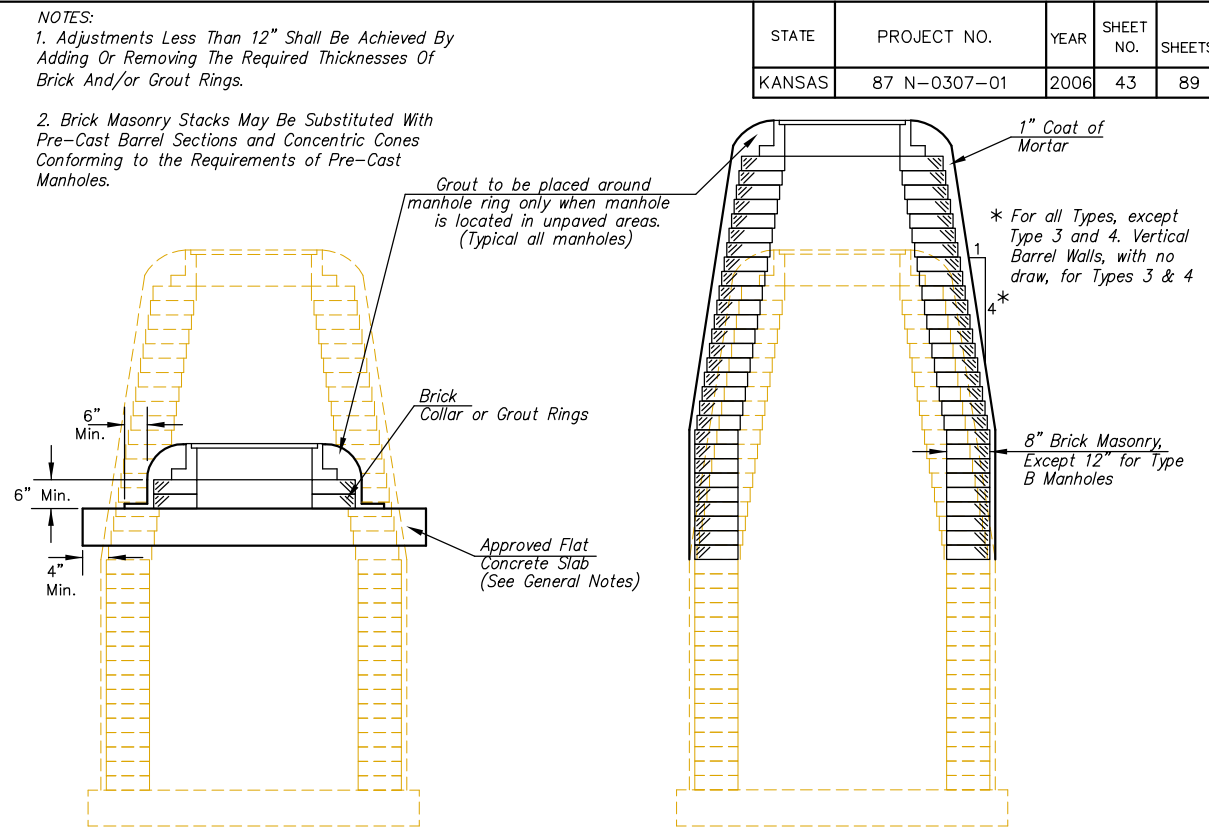
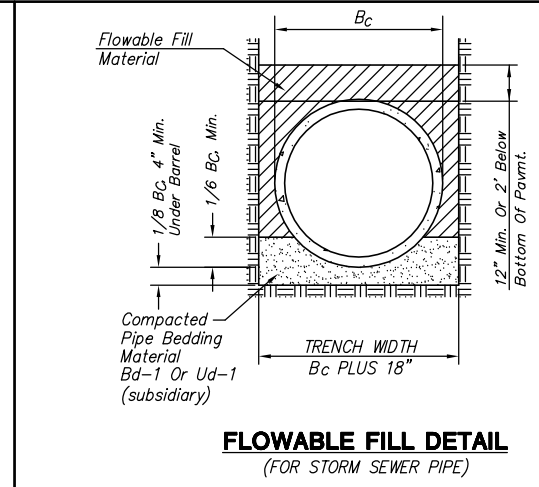


STATE	PROJECT NO.	YEAR	SHEET NO.	SHEETS
KANSAS	87 N-0307-01	2006	43	89



TYPICAL UTILITY BOX-OUT DETAILS

Note: Contractor shall construct box-outs around all surface utility fixtures, as shown, when fixtures fall on or near concrete joints, or as directed by the Engineer. All other fixtures shall have an isolation joint or bond breaker between them and concrete pavement. Cost shall be subsidiary.



Note: Pipe Plugs Shall Be Constructed Of Brick Masonry, With Construction Requirements And Materials Conforming To The Same Requirements As Specified For A Masonry Construction In The Std. Specs. Pipes Having Diameters Of 18" Or Smaller Shall Be Plugged With 8" Thick Plug. Pipes Having Diameters Larger Than 18" Shall Be Plugged With 12" Thick Plug. The Construction Of Pipe Plugs Shall Not Be Paid For Directly, But Shall Be Considered Subsidiary To Pipe Installation.

The Contractor May Use Other Methods To Plug Existing Pipe If Approved By The Project Engineer.

MANHOLE ADJUSTMENTS

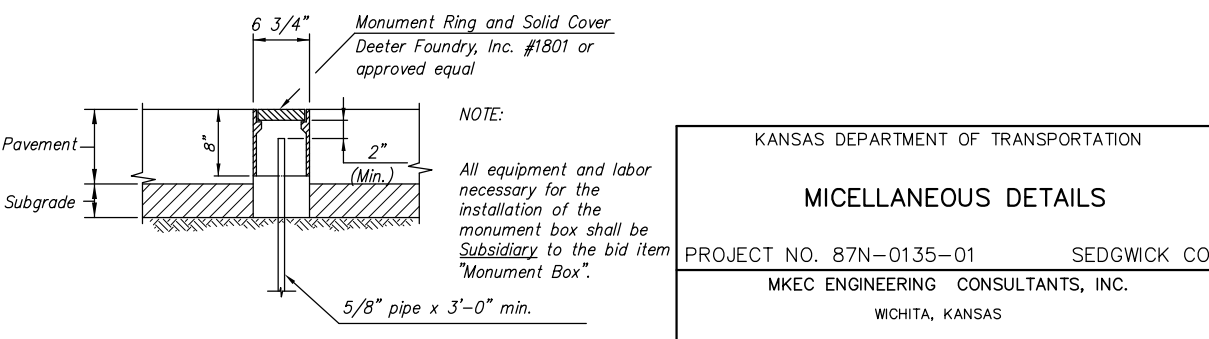
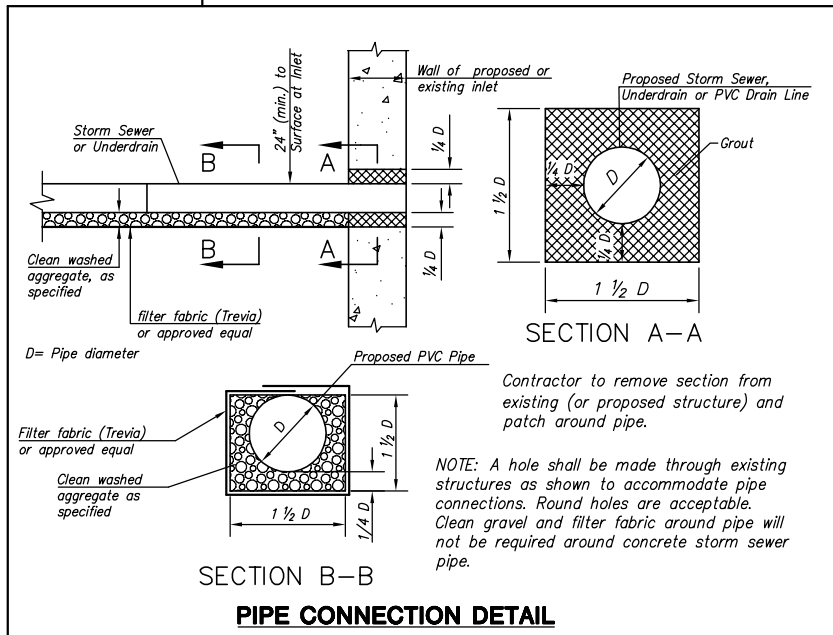
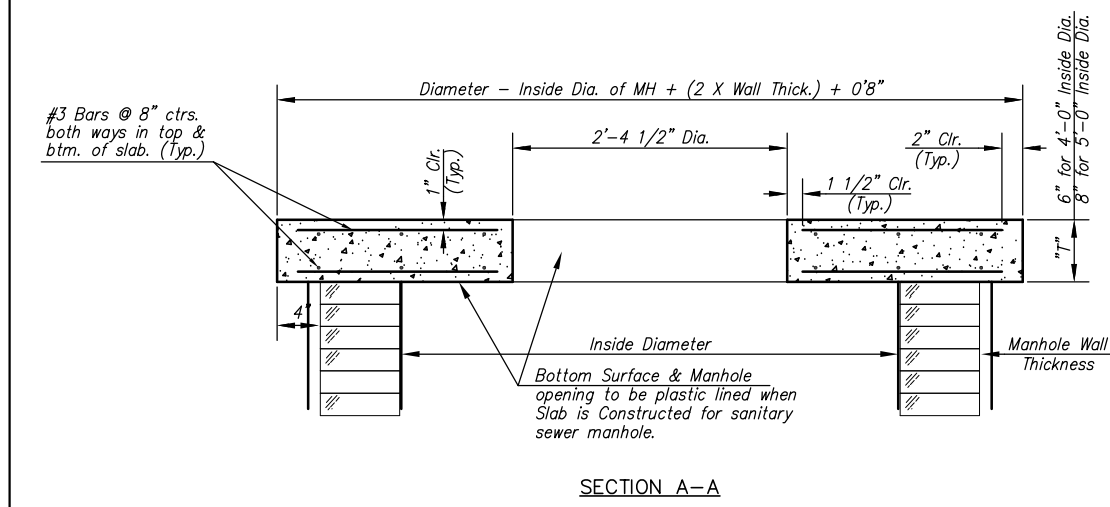
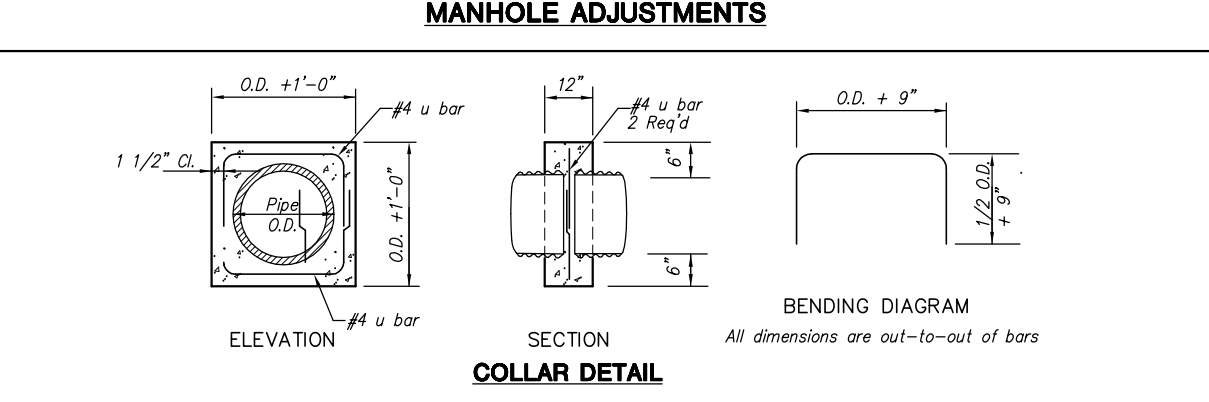
All Types

The Appropriate Portions Of The Draw And Barrel Of Type A, B, C, D, 1 And 2 Manholes Shall Be Removed. A Flat Concrete Slab Shall Be Placed And The Ring And Cover Reset. All Work And Materials Shall Conform To The Details Shown And The General Notes.

Courses Of Brick Barrel Supporting The Wide Flange Ring For Type 4 Manholes And Flat Concrete Slab For Type 3 Manholes Shall Be Removed As Necessary Prior To Re-setting The Wide Flange Ring Or Flat Concrete Slab And Ring. All Work And Materials Shall Conform To The Details Shown And The General Notes.

All Types

The Entire Draw Of Types A, B, C, D, 1 And 2 Manholes Shall Be Removed, The Manhole Barrel Raised The Appropriate Amount, A New Draw Constructed, And The Ring And Cover Re-set. The Upper Portion Of Type 3 Manholes Shall Be Removed To The Bottom Of The Flat Concrete Slab, The Brick Masonry Barrel Supporting The Slab Shall Be Raised The Appropriate Amount, And The Slab And Ring And Cover Reset. The Wide Flange Ring And Cover Of Type 4 Manholes Shall Be Removed, The Brick Masonry Barrel Supporting The Ring Shall Be Raised The Appropriate Amount And The Ring And Cover Reset. All Work Required For A Greater Than Twelve Inch (12") Upward Adjustment Of Any Manhole Shall Be Accomplished With Brick Masonry In Accordance With The Details Shown And The Gen-eral Notes.



KANSAS DEPARTMENT OF TRANSPORTATION			
MICELLANEOUS DETAILS			
PROJECT NO. 87N-0135-01		SEDGWICK CO.	
MKEC ENGINEERING CONSULTANTS, INC.			
WICHITA, KANSAS			
DESIGNED BY: JRA	CHECKED BY: JRA		
DRAWN BY: JSM	DATE: DEC. 05	SHEET 43 OF 89	