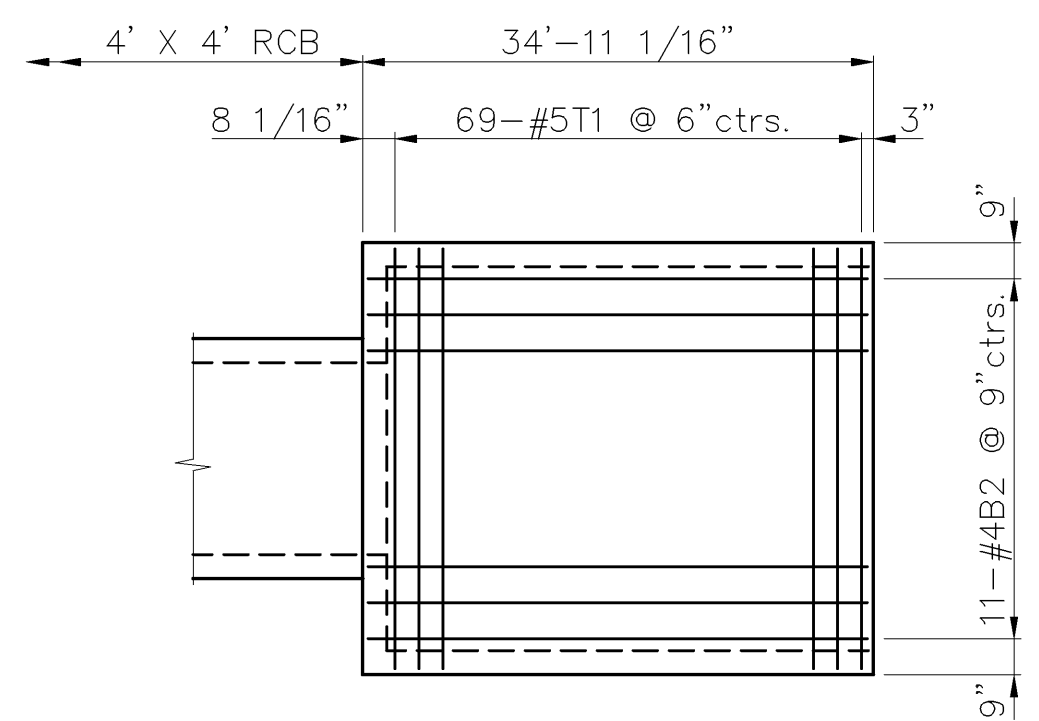
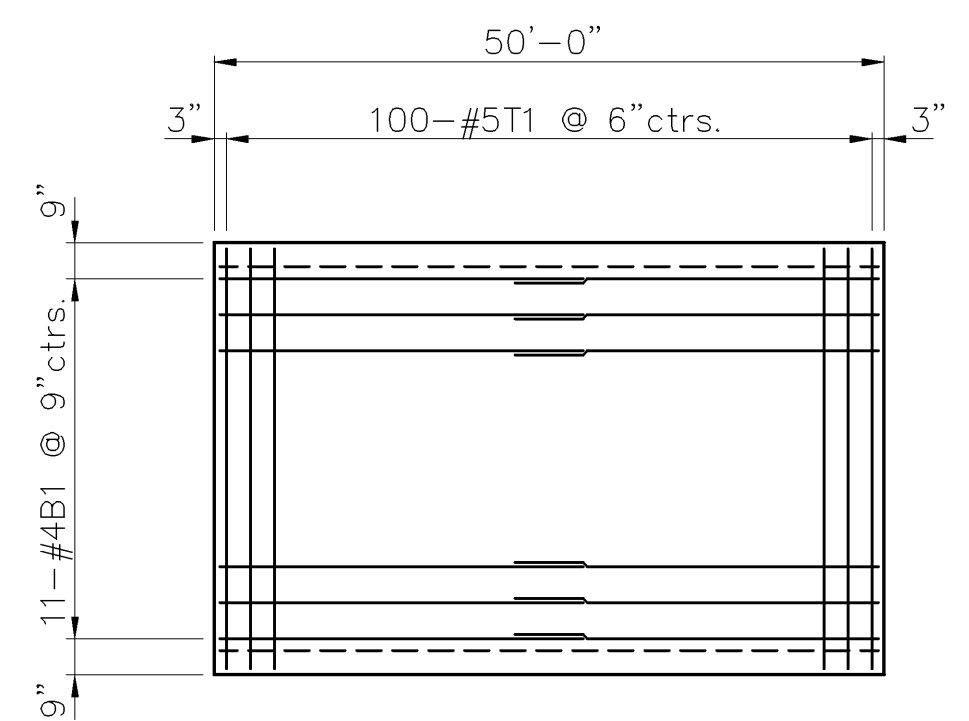


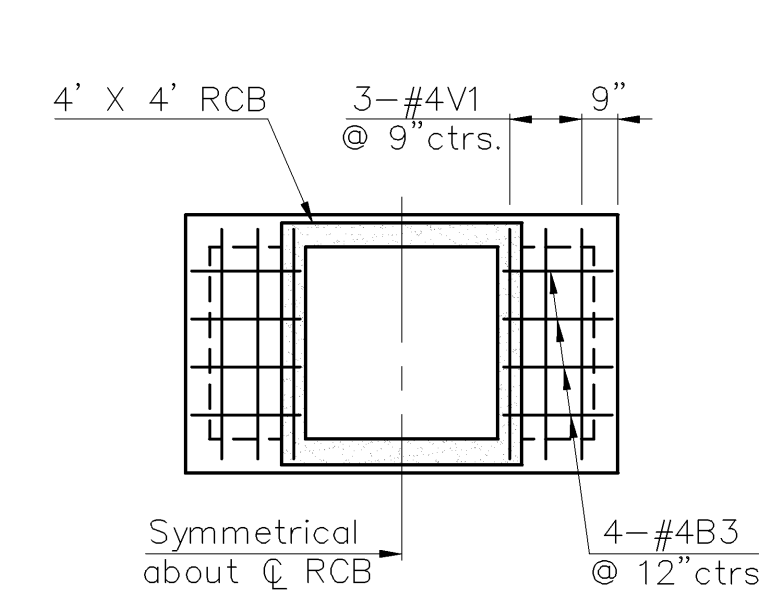
STATE	PROJECT NO.	YEAR	SHEET NO.	TOTAL SHEETS
KANSAS	87 N-0306-01	2005	30	111



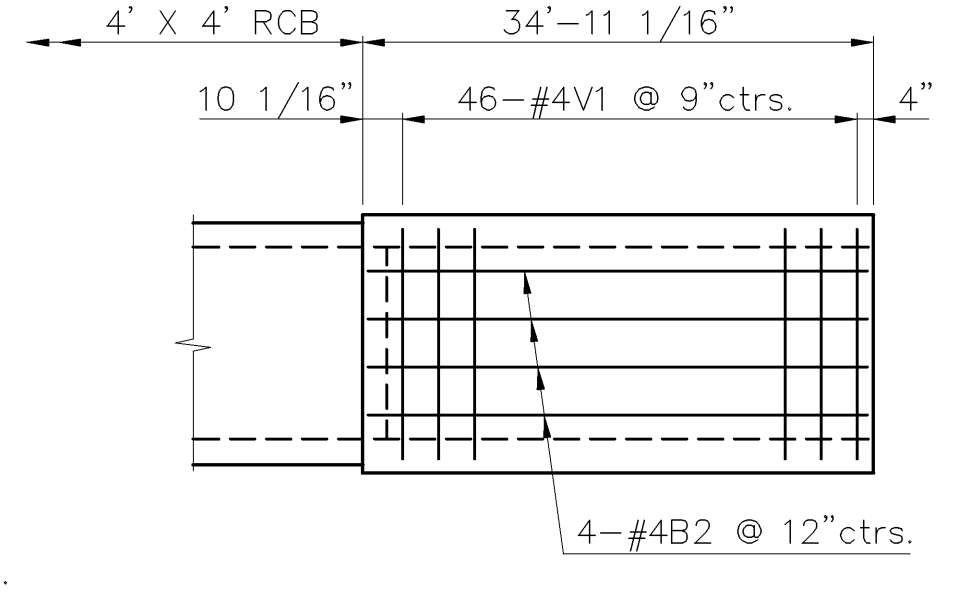
**PLAN**  
(34.92' Unit)



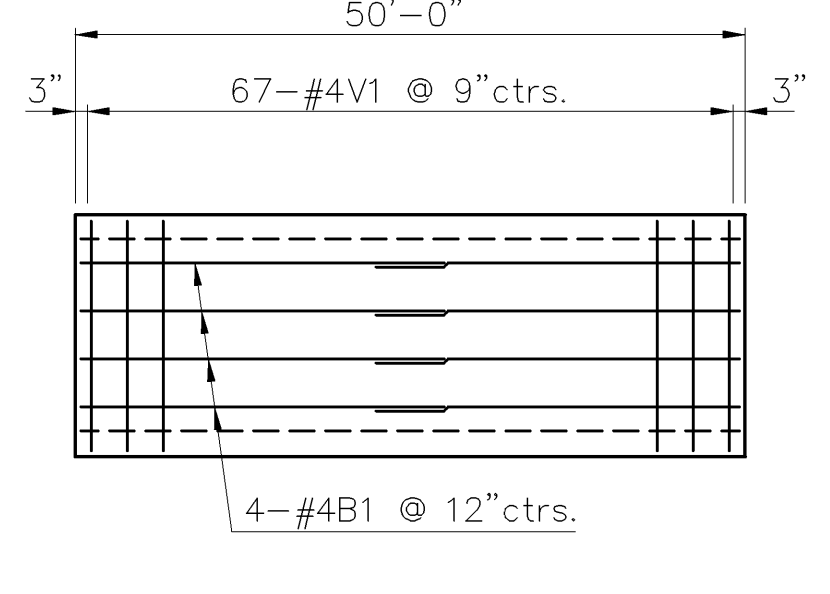
**PLAN**  
(50.00' Unit)  
(29 units thus)



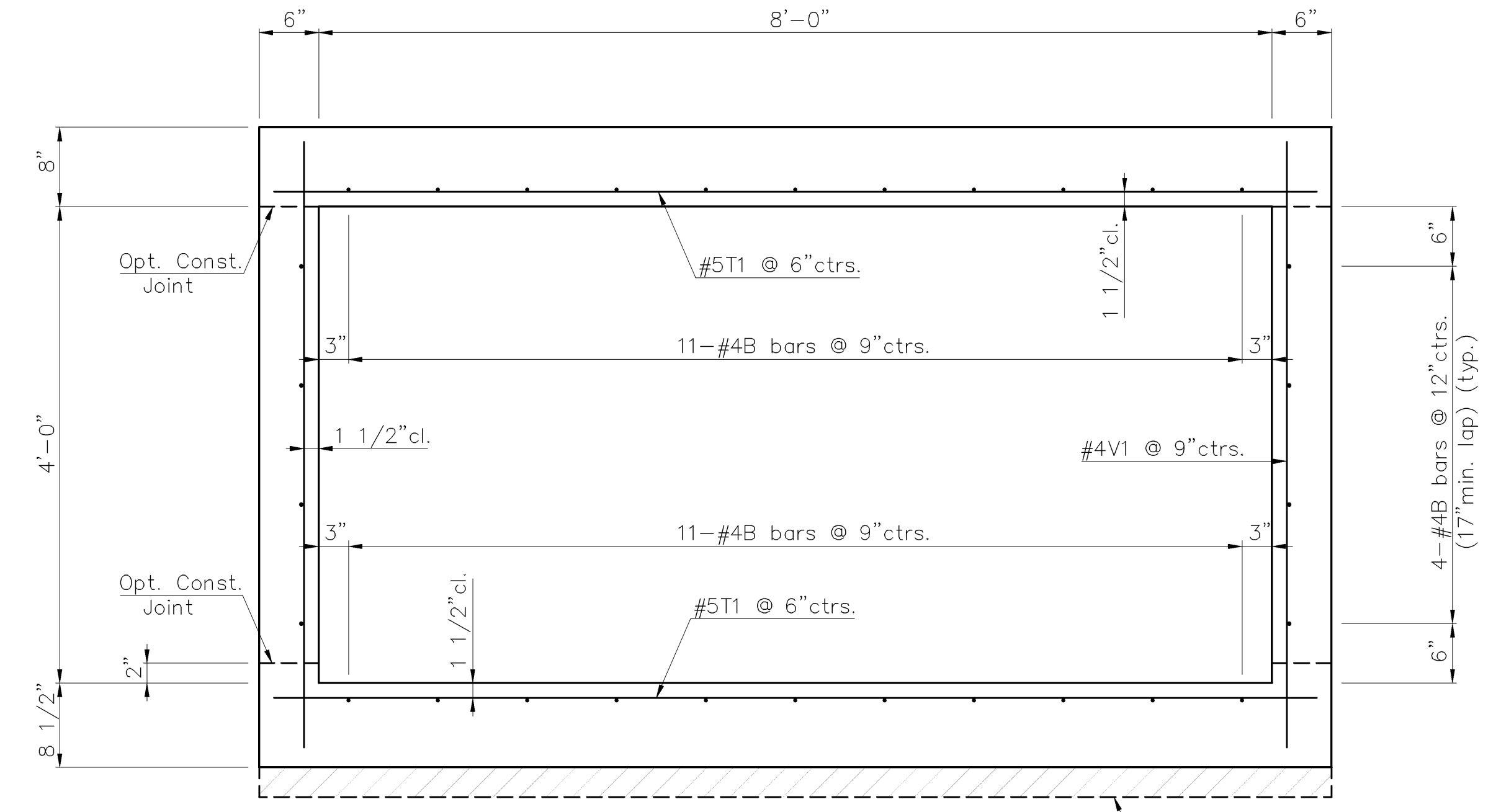
**END ELEVATION**  
(34.92' Unit)



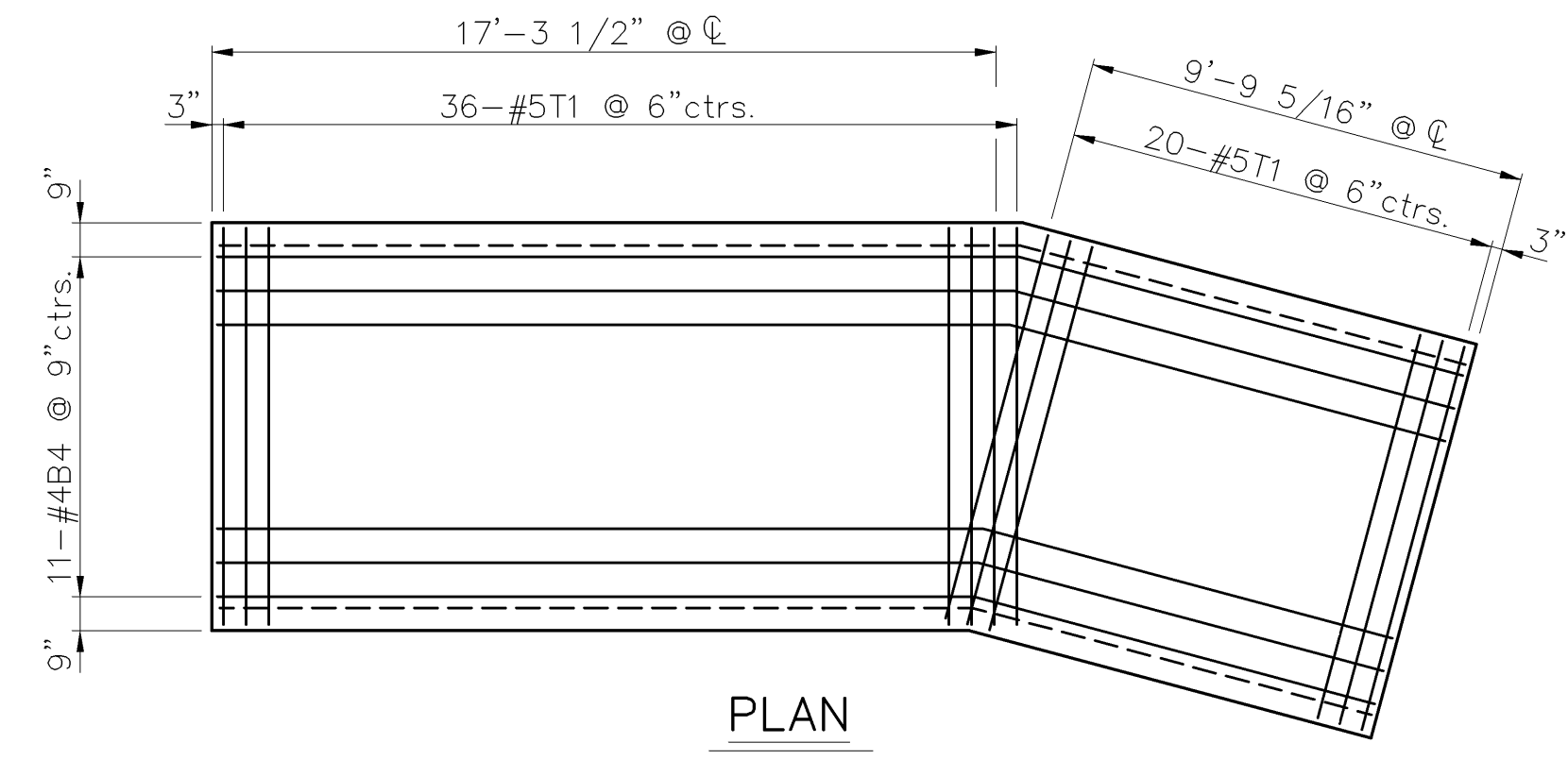
**ELEVATION**  
(34.92' Unit)



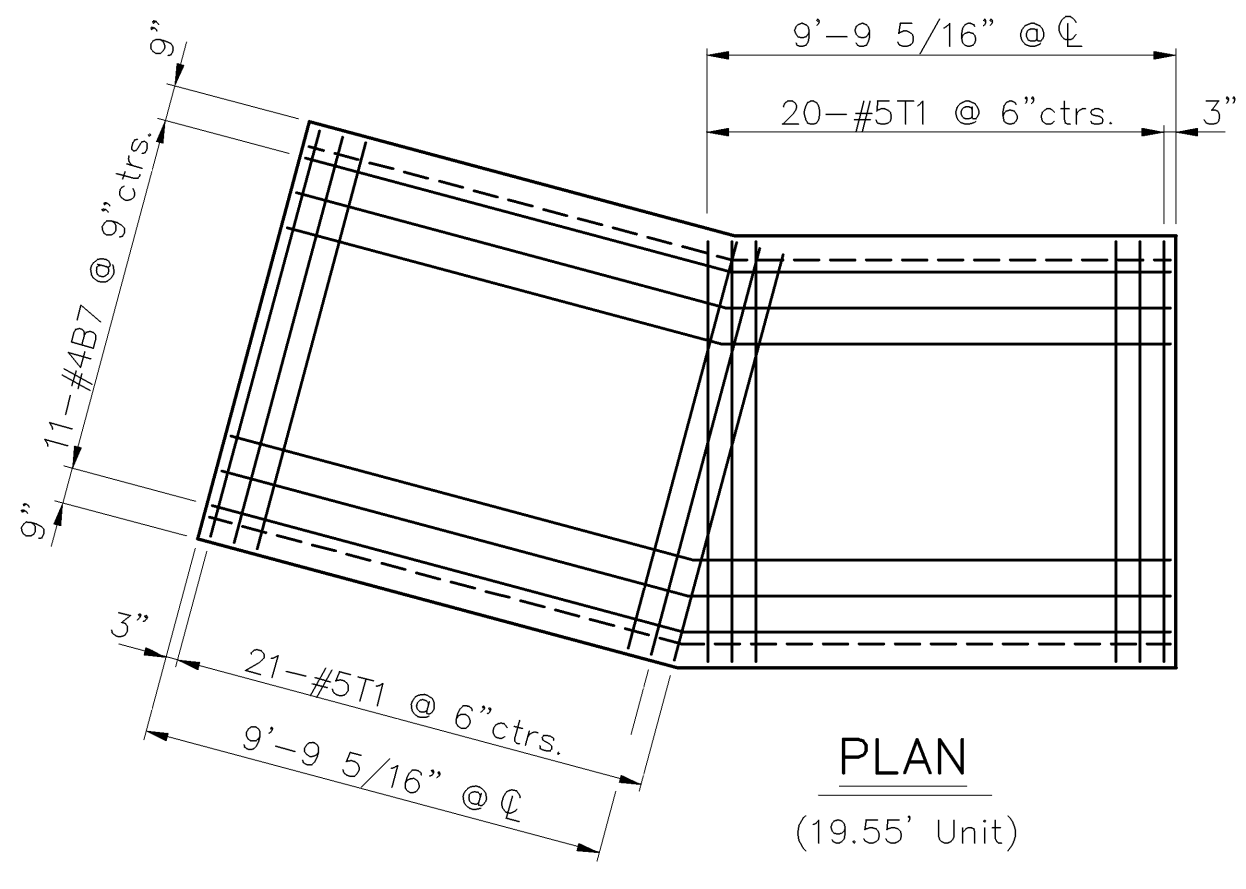
**ELEVATION**  
(50.00' Unit)  
(29 units thus)



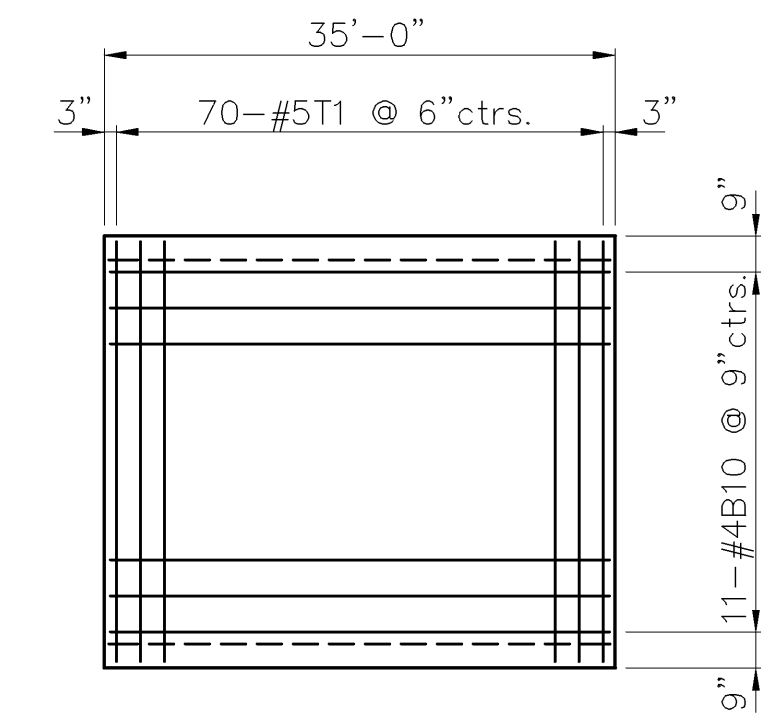
**TYPICAL SECTION THRU BARREL**



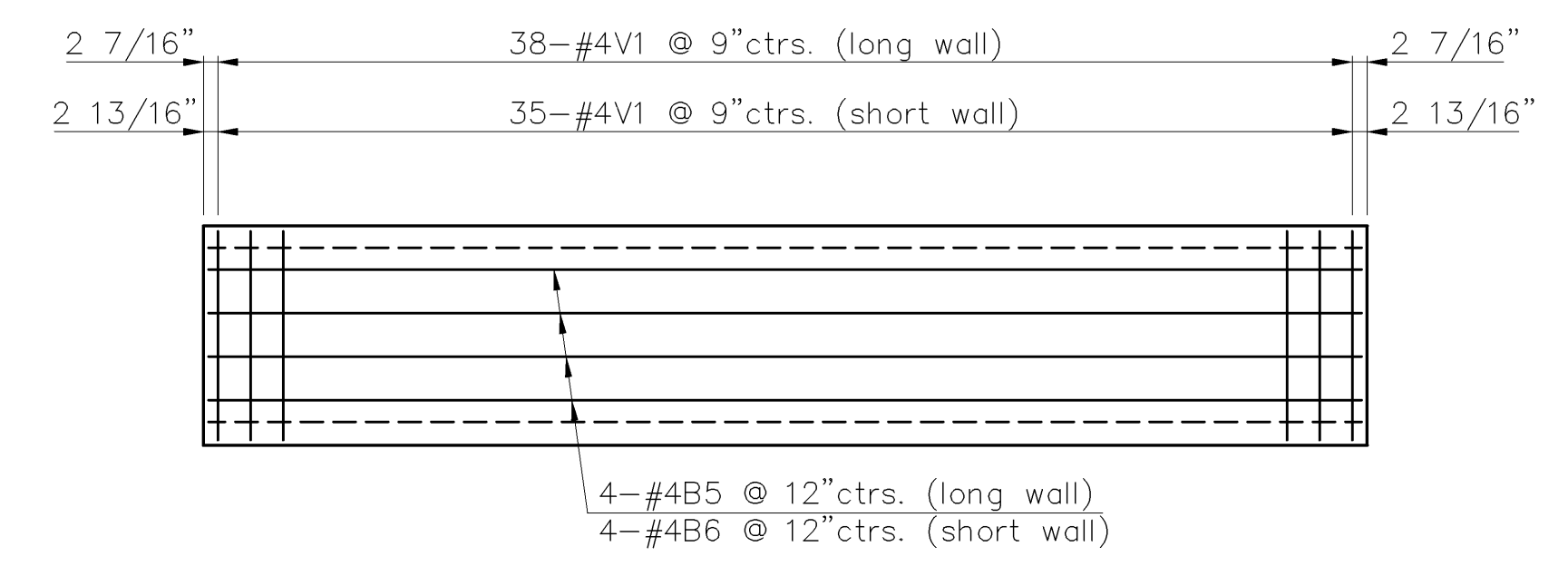
**PLAN**  
(27.07' Unit)



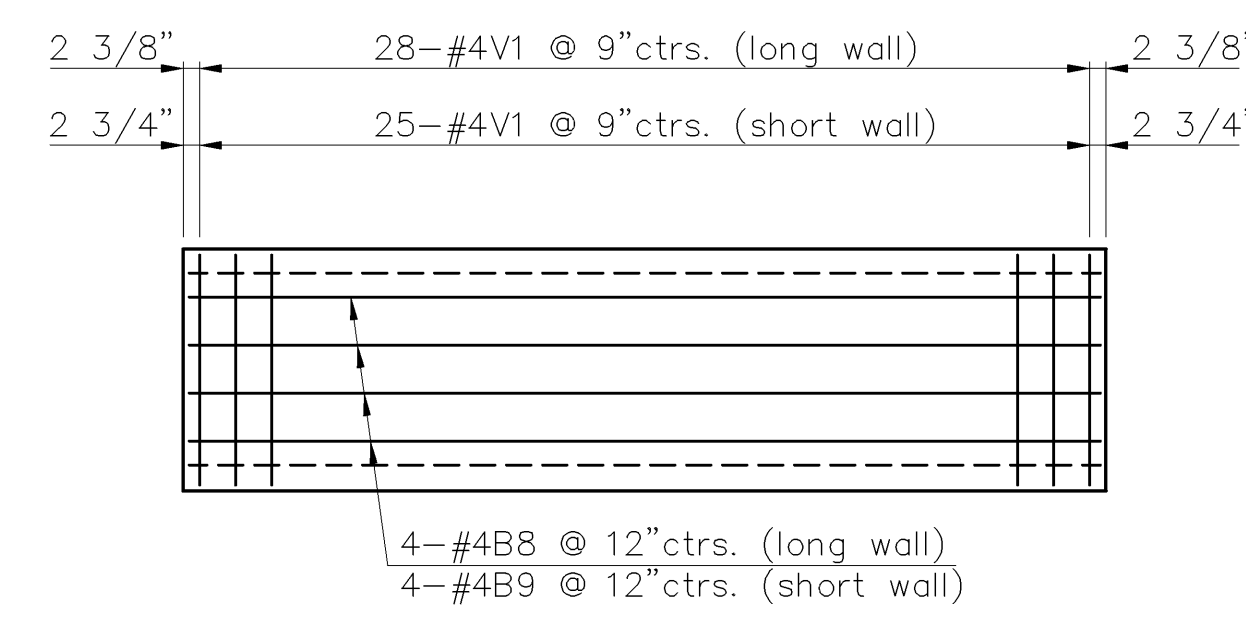
**PLAN**  
(19.55' Unit)



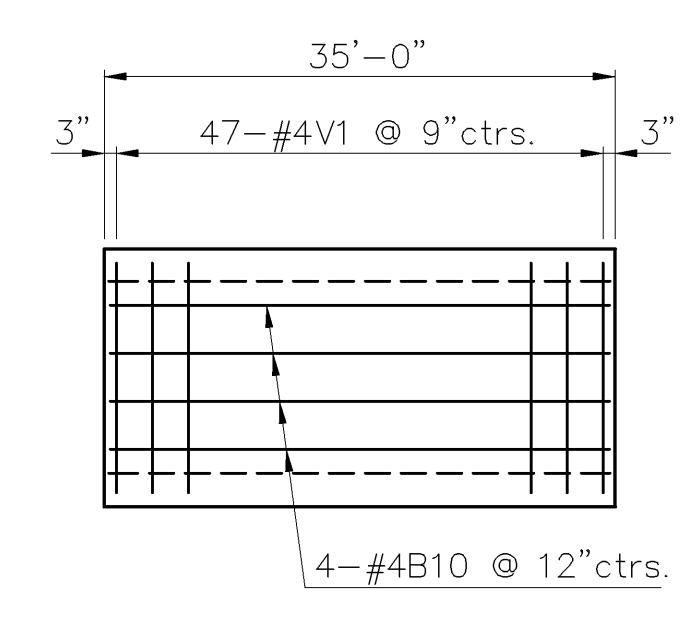
**PLAN**  
(35.00' Unit)



**ELEVATION**  
(27.07' Unit)



**ELEVATION**  
(19.55' Unit)



**ELEVATION**  
(35.00' Unit)

J:\2003PROJ\03546\DWGS\RCB2 1"=4'

PROJECT NO. 87 N-0306-01		<b>CFS</b> Cook, Flatt & Strobel ENGINEERS, P. A.
8' X 4' R.C.B.		
29TH STREET NORTH		DESIGNED RSC SCALE
STA. 119+45 - 135+49.96 CITY OF WICHITA		DATE 9/2005
		QUANTITIES SHEET 30 OF 111