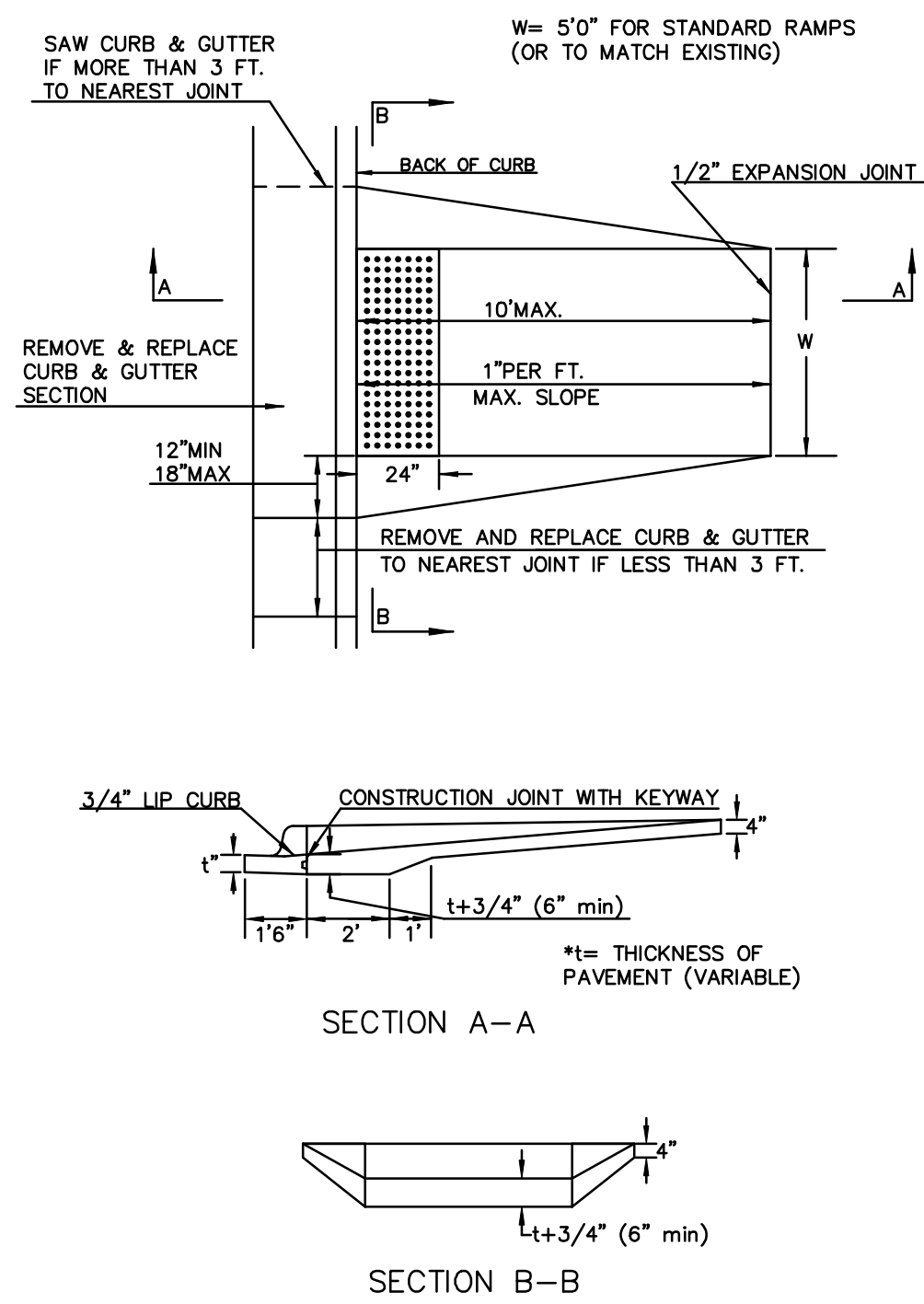
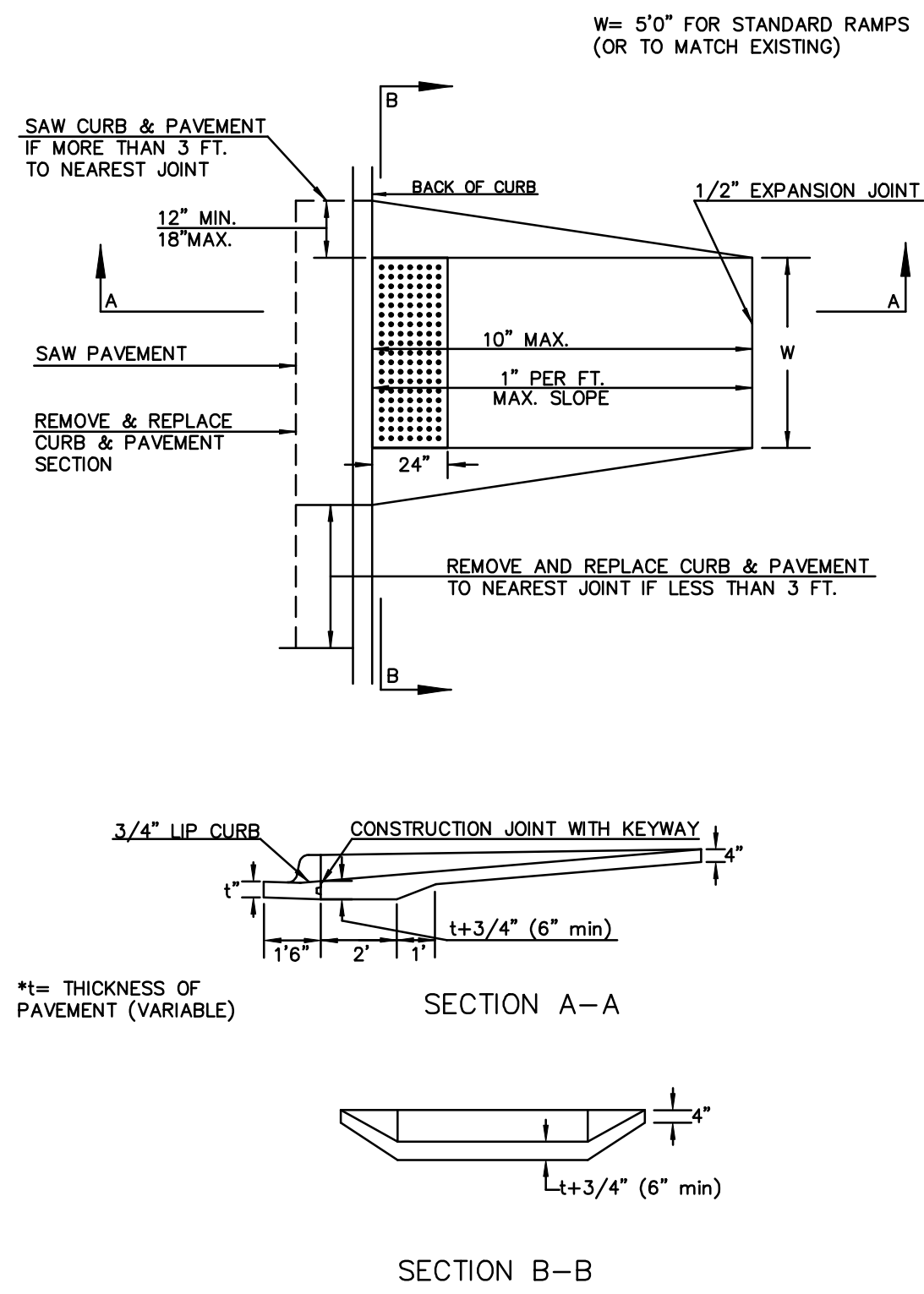


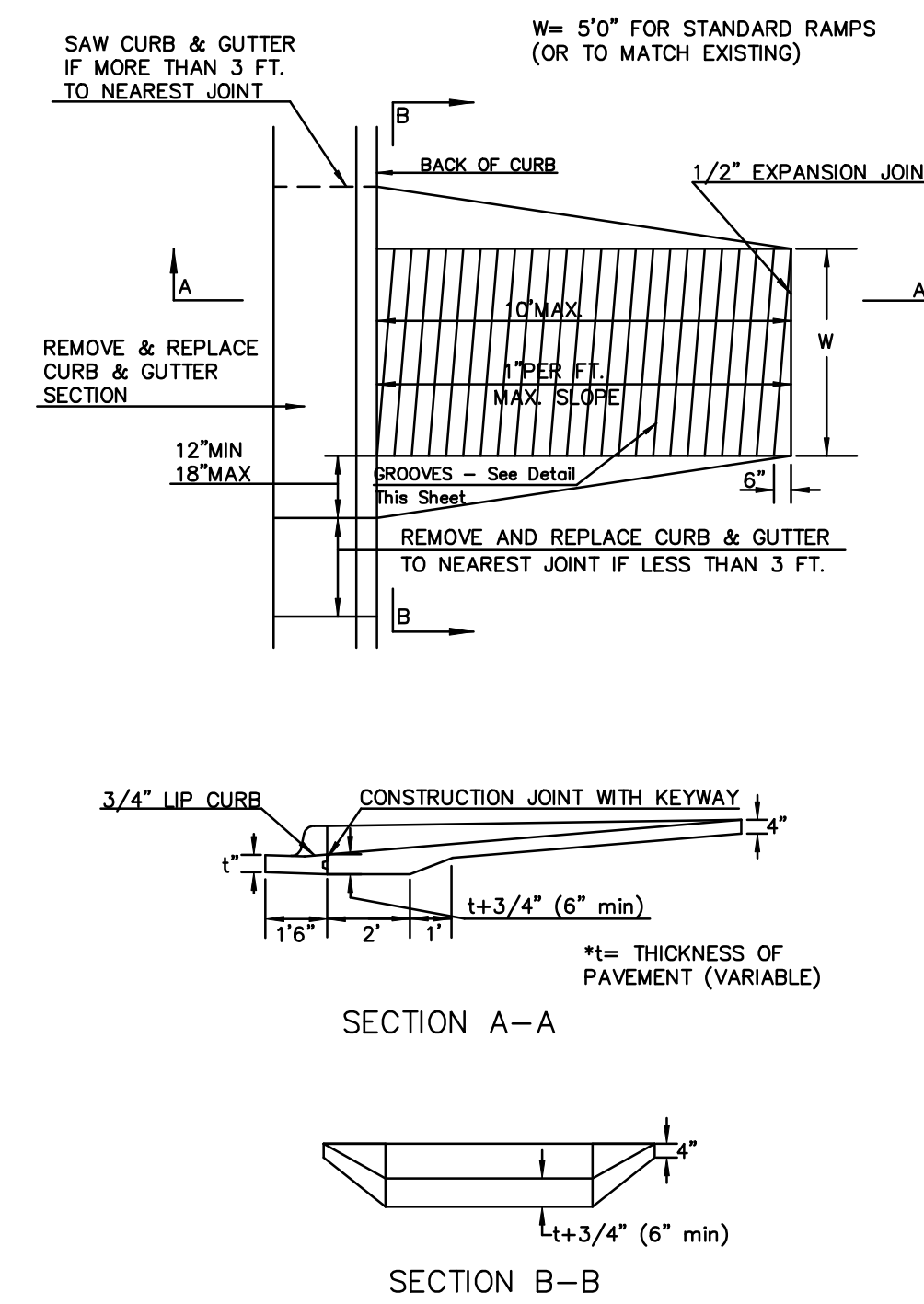
STANDARD WHEELCHAIR RAMP CONSTRUCTION DETAIL FOR STREETS WITH COMBINED CURB & GUTTER (CLASS A)



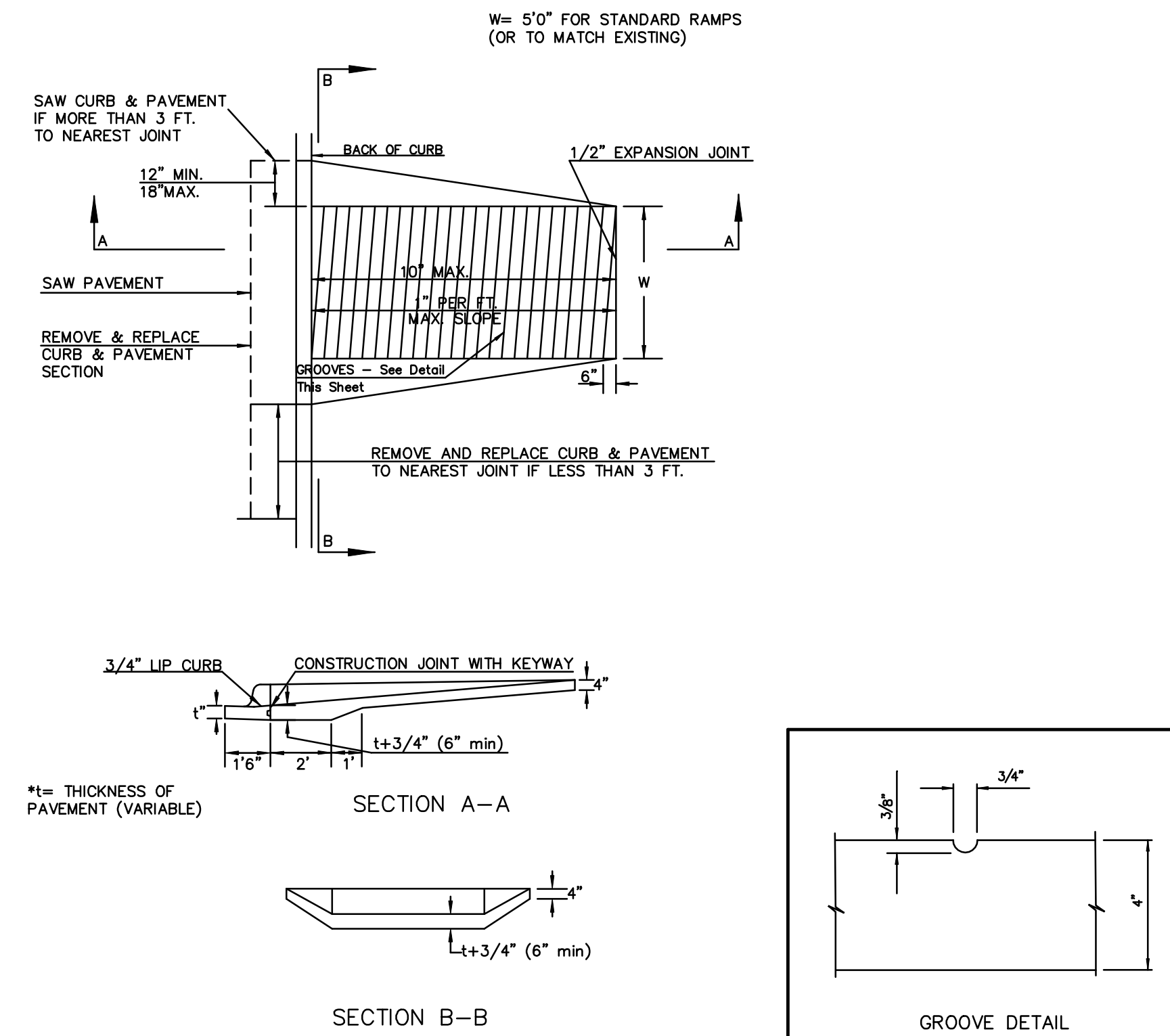
STANDARD WHEELCHAIR RAMP CONSTRUCTION DETAIL FOR CONCRETE STREETS WITH MONOLITHIC CURB (CLASS A)



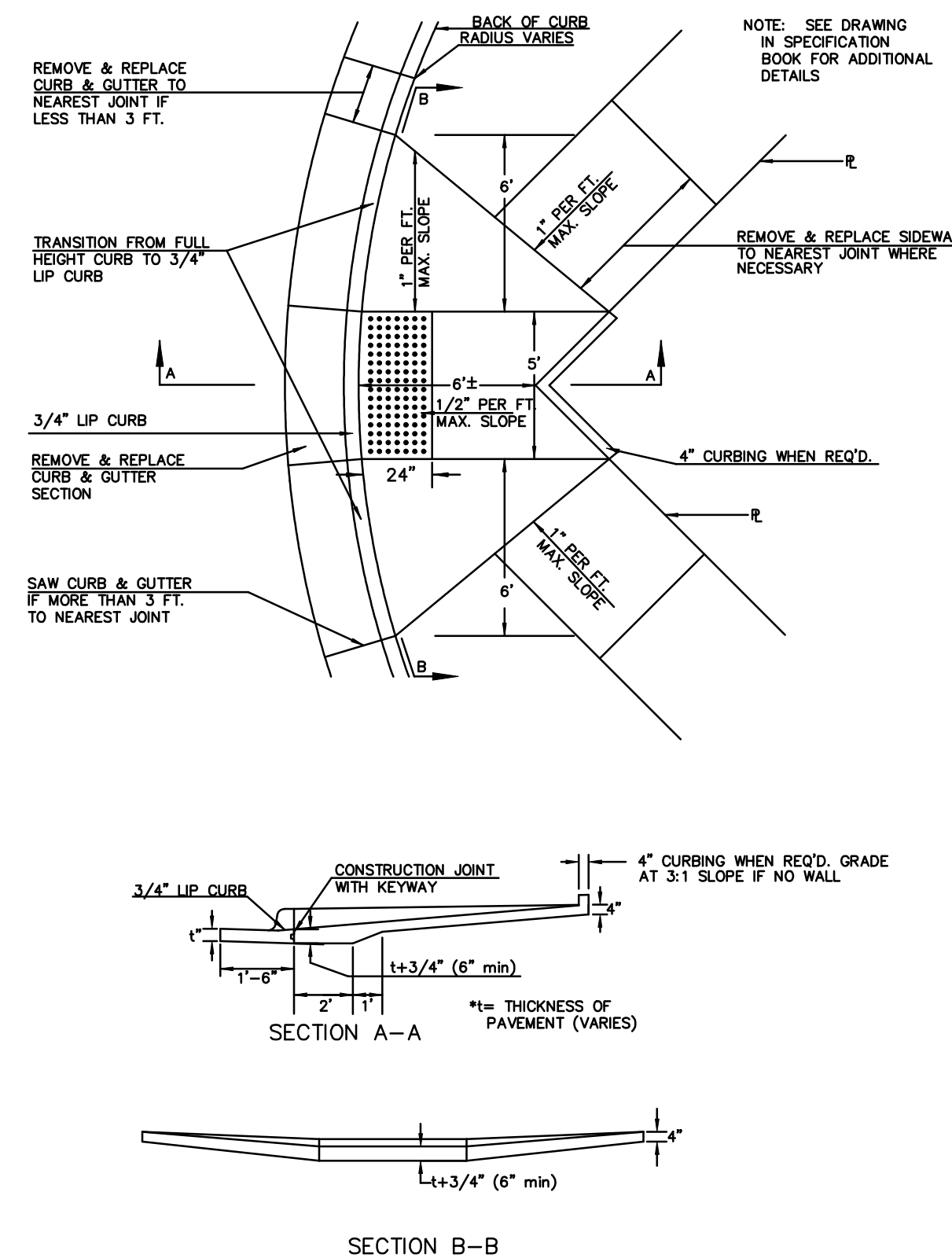
STANDARD WHEELCHAIR RAMP CONSTRUCTION DETAIL FOR ENTRANCES WITH COMBINED CURB & GUTTER (CLASS B)



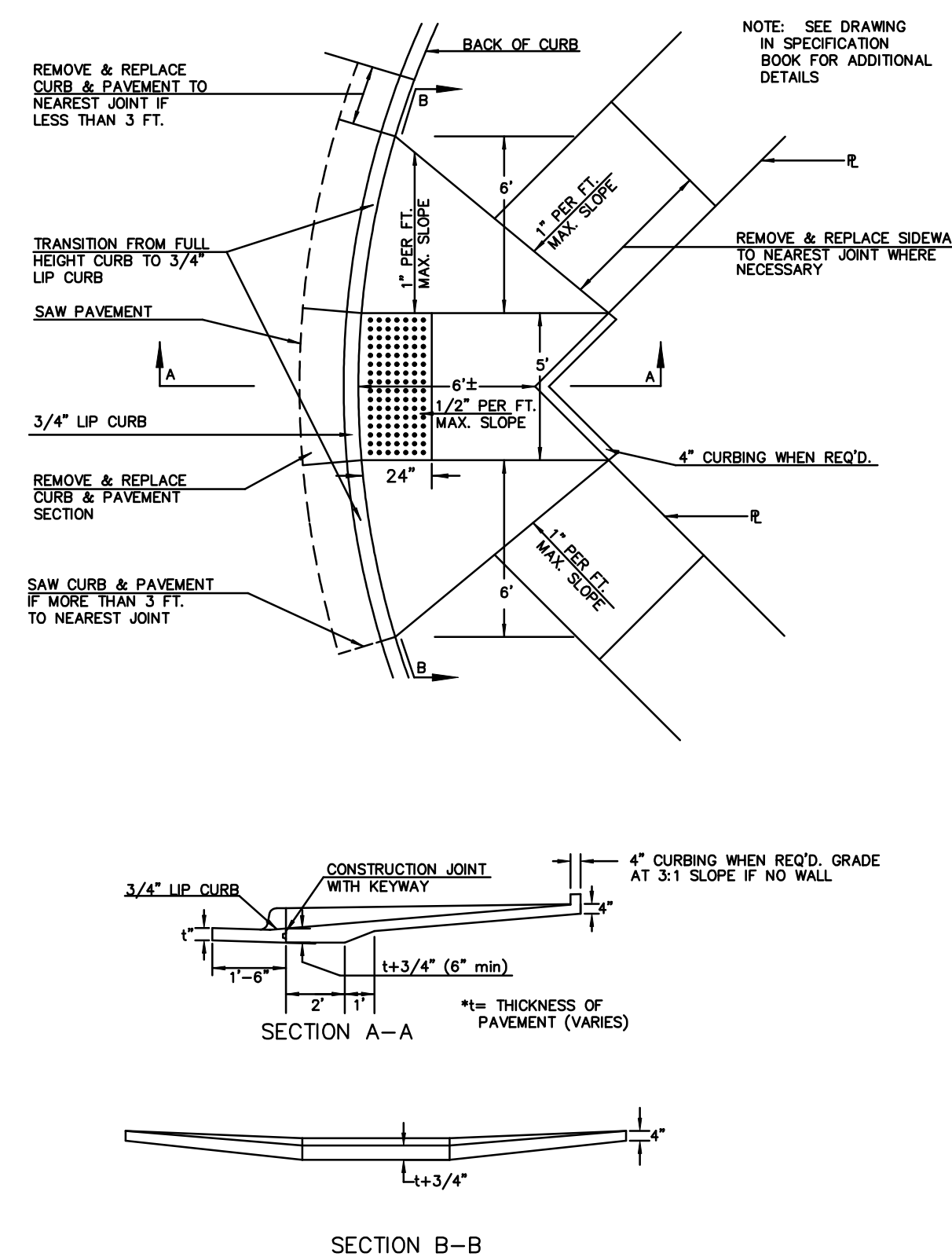
STANDARD WHEELCHAIR RAMP CONSTRUCTION DETAIL FOR ENTRANCES WITH MONOLITHIC CURB (CLASS B)



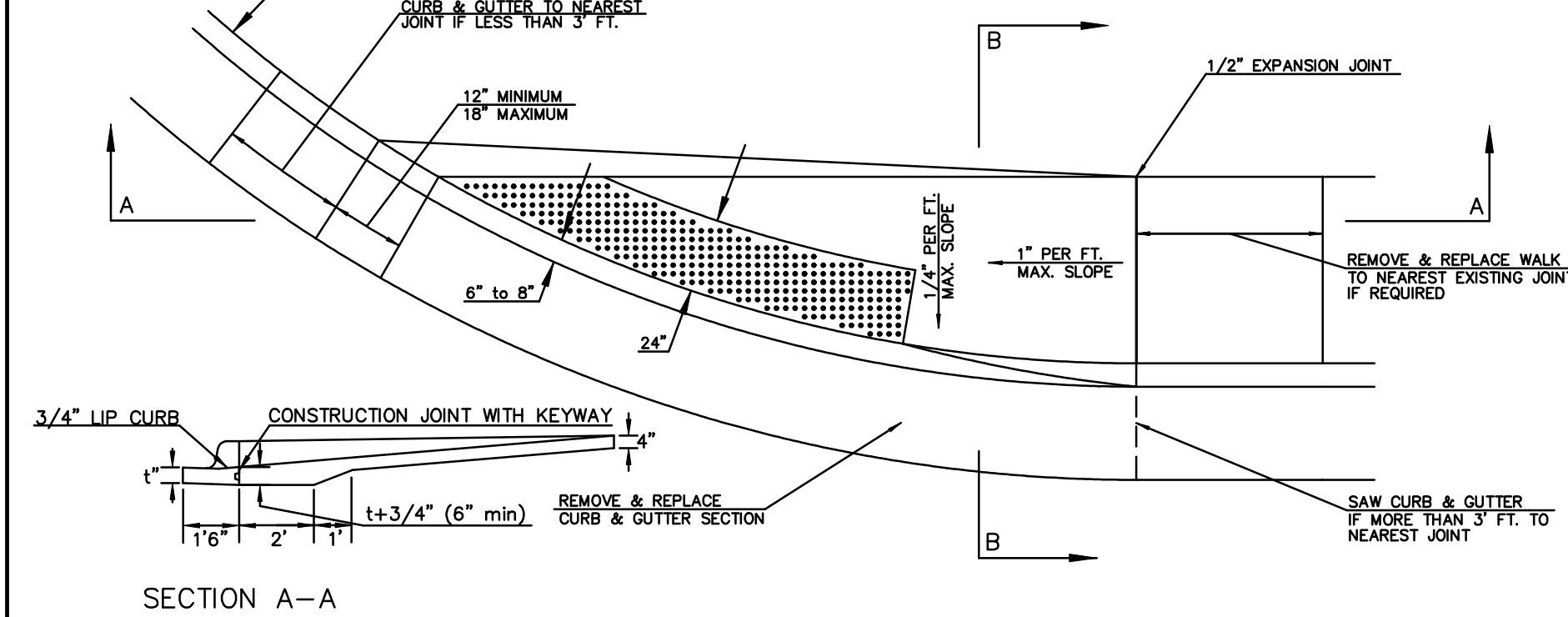
STANDARD WHEELCHAIR RAMP CONSTRUCTION DETAIL FOR STREET WITH COMBINED CURB AND GUTTER ON RADIUS WITH 6± FROM BACK OF CURB TO PROPERTY CORNER (CLASS C)



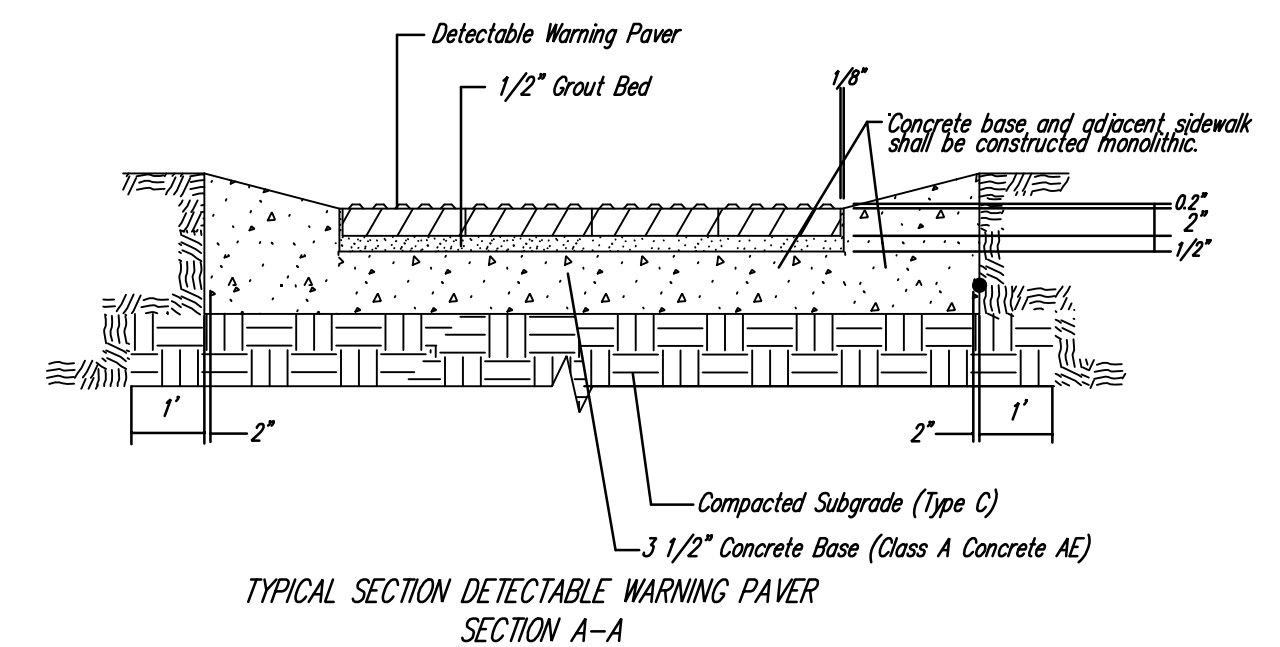
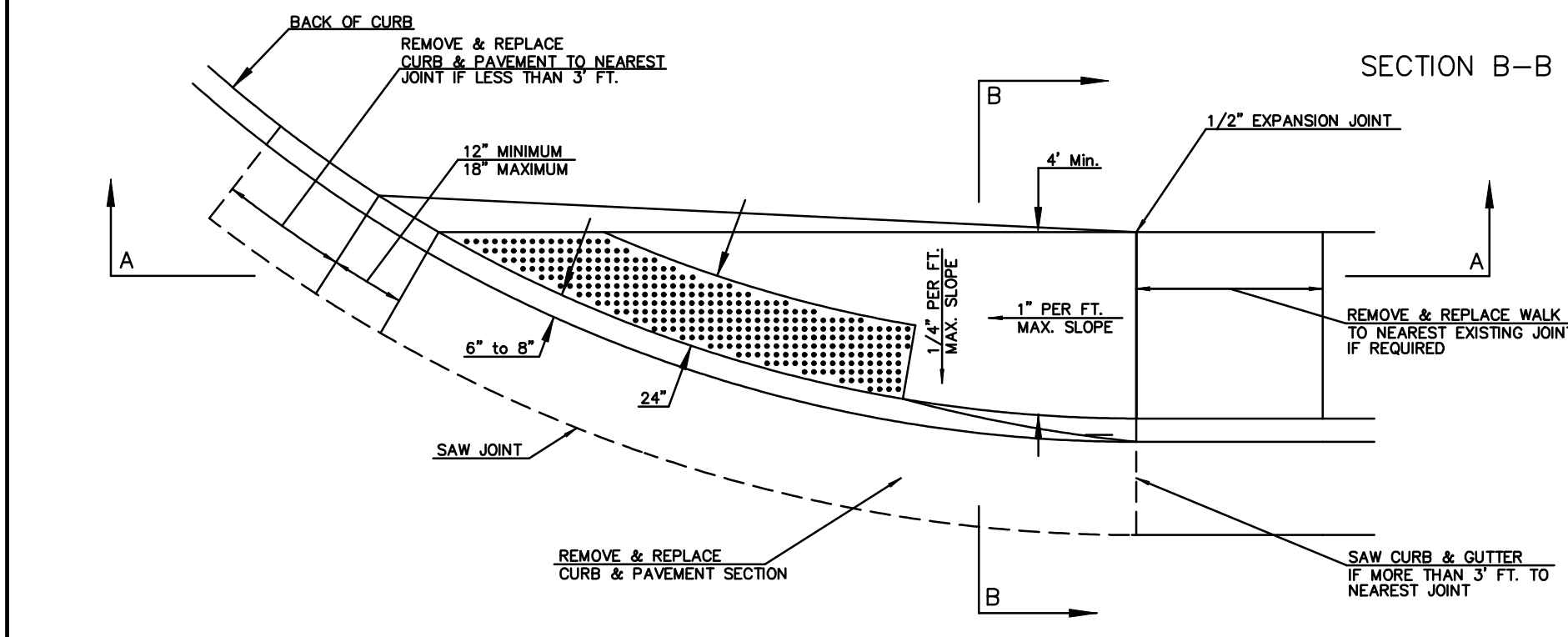
STANDARD WHEELCHAIR RAMP CONSTRUCTION DETAIL FOR STREET WITH MONOLITHIC CURB ON RADIUS WITH 6± FROM BACK OF CURB TO PROPERTY CORNER (CLASS C)



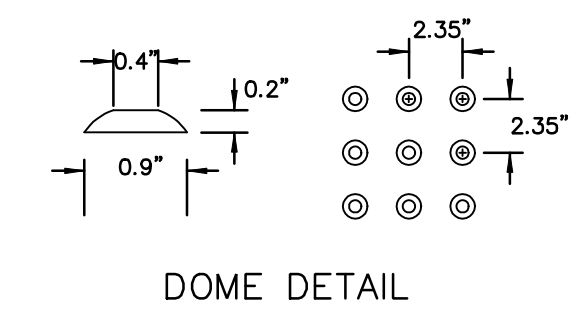
STANDARD WHEELCHAIR RAMP CONSTRUCTION DETAIL FOR STREETS WITH COMBINED CURB & GUTTER WITH ONE FULL SIDEWALK (CLASS D)



STANDARD WHEELCHAIR RAMP CONSTRUCTION DETAIL FOR STREETS WITH MONOLITHIC CURB WITH ONE FULL SIDEWALK (TYPE D)



NOTE: HANOVER DETECTABLE WARNING PAVERS (OR AN APPROVED ALTERNATE) SHALL BE USED IN ALL WHEELCHAIR RAMPS. THE 11 3/4" RED 15" PAVES SHALL BE USED IN ALL APPLICATIONS.
 HANOVER ARCHITECTURAL PRODUCTS
 240 BENDER ROAD
 HANOVER, PA 17331
 1-717-637-0500
 www.hanoverpavers.com



DSNR: COW OPER: DRP SCALE: 1-1/8" PLOTTED: 8-30-2006 svb
 I:/2005/05777/Standards/05777-WCR with Detectable Warning.dgn

-WCR with Detectable Warning-DWG-

WHEELCHAIR RAMP DETAILS

CITY ENGINEER
JAMES L. ARMOUR, P.E., L.S.

PROJECT NUMBER 472-84415	OCA NUMBER 706955	DATE 07/03
CITY ENGINEER'S OFFICE CITY HALL - SEVENTH FLOOR 455 NORTH MAIN STREET WICHITA, KANSAS 67202-1620 (316) 268-4501 (316) 268-4114 FAX		DESIGN City
		DRAWN City
		SHEET 28 OF 81