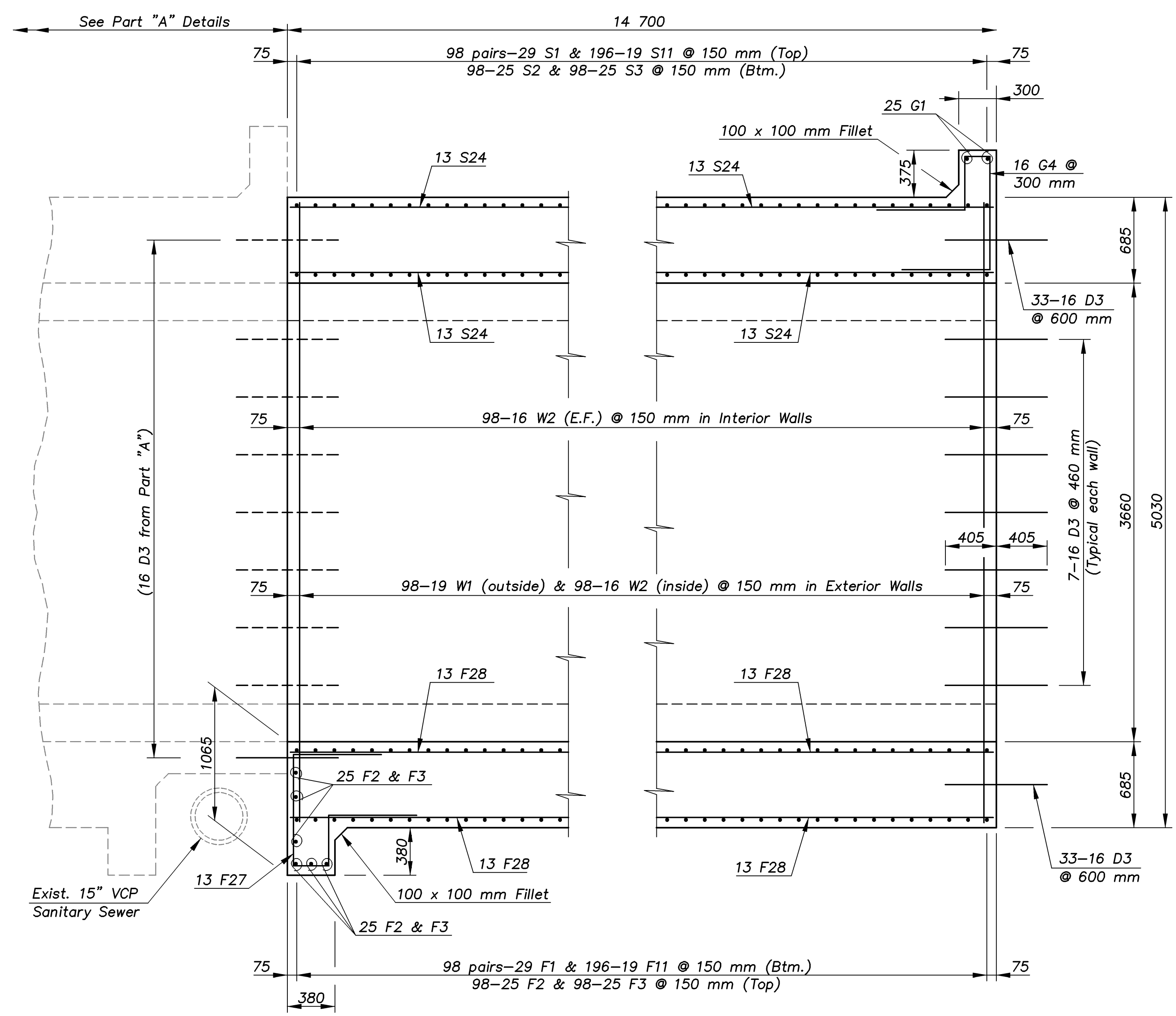
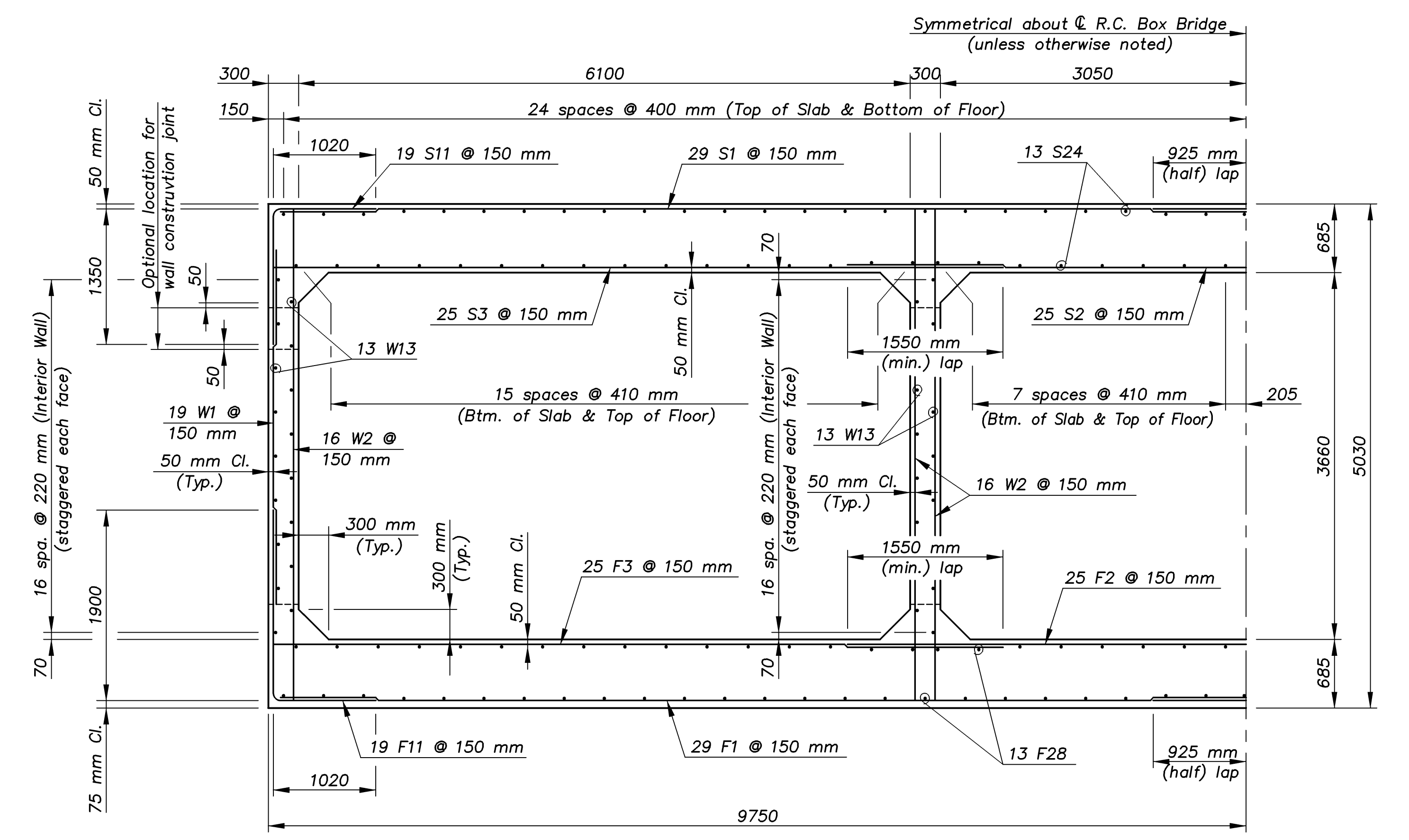


E.F. INDICATES EACH FACE.
 N.F. INDICATES NEAR FACE.
 F.F. INDICATES FAR FACE.

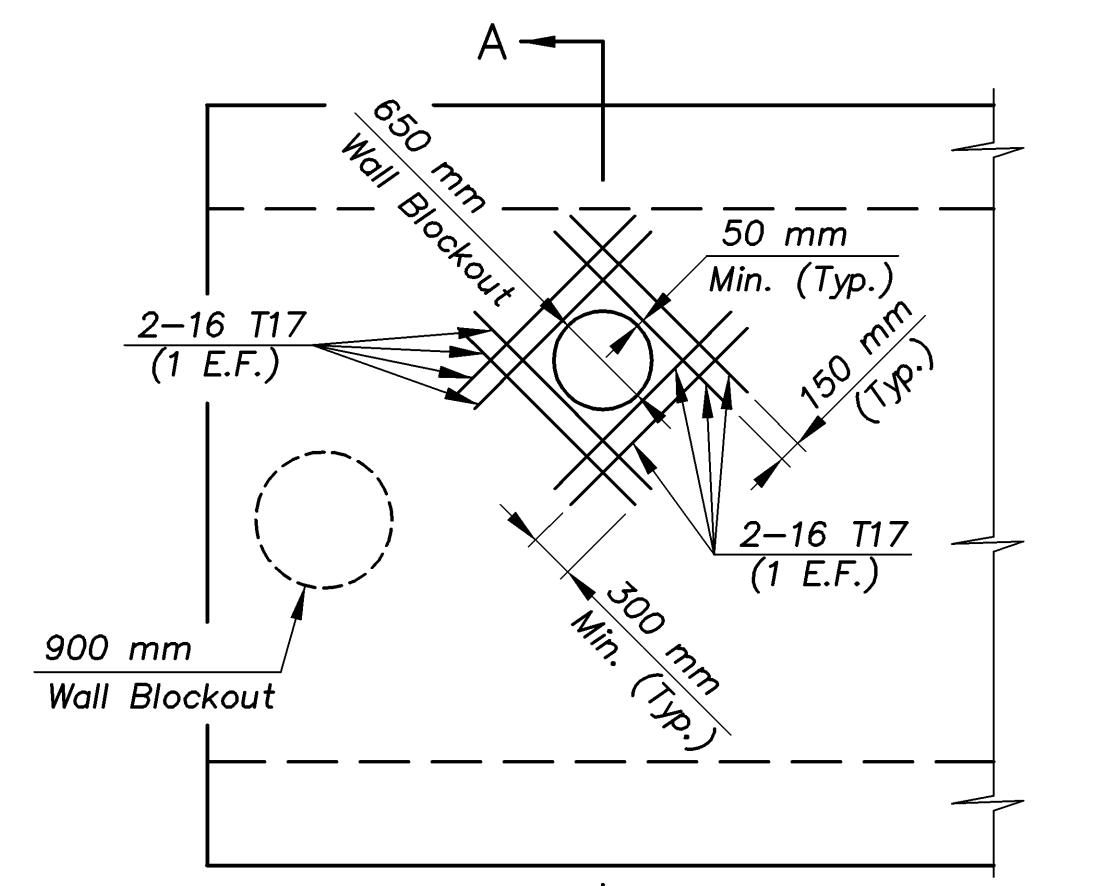
STATE	PROJECT NO.	YEAR	SHEET NO.	TOTAL SHEETS
KANSAS	54-87 K-8258-02	2003	29	76



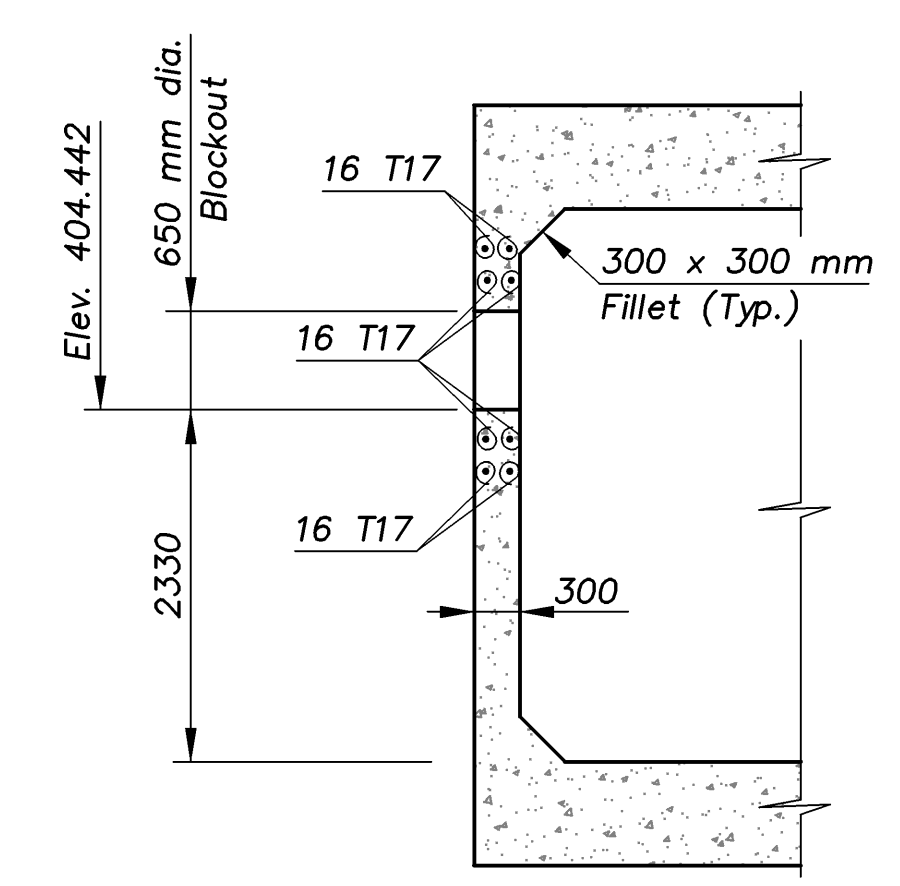
PART LONGITUDINAL SECTION



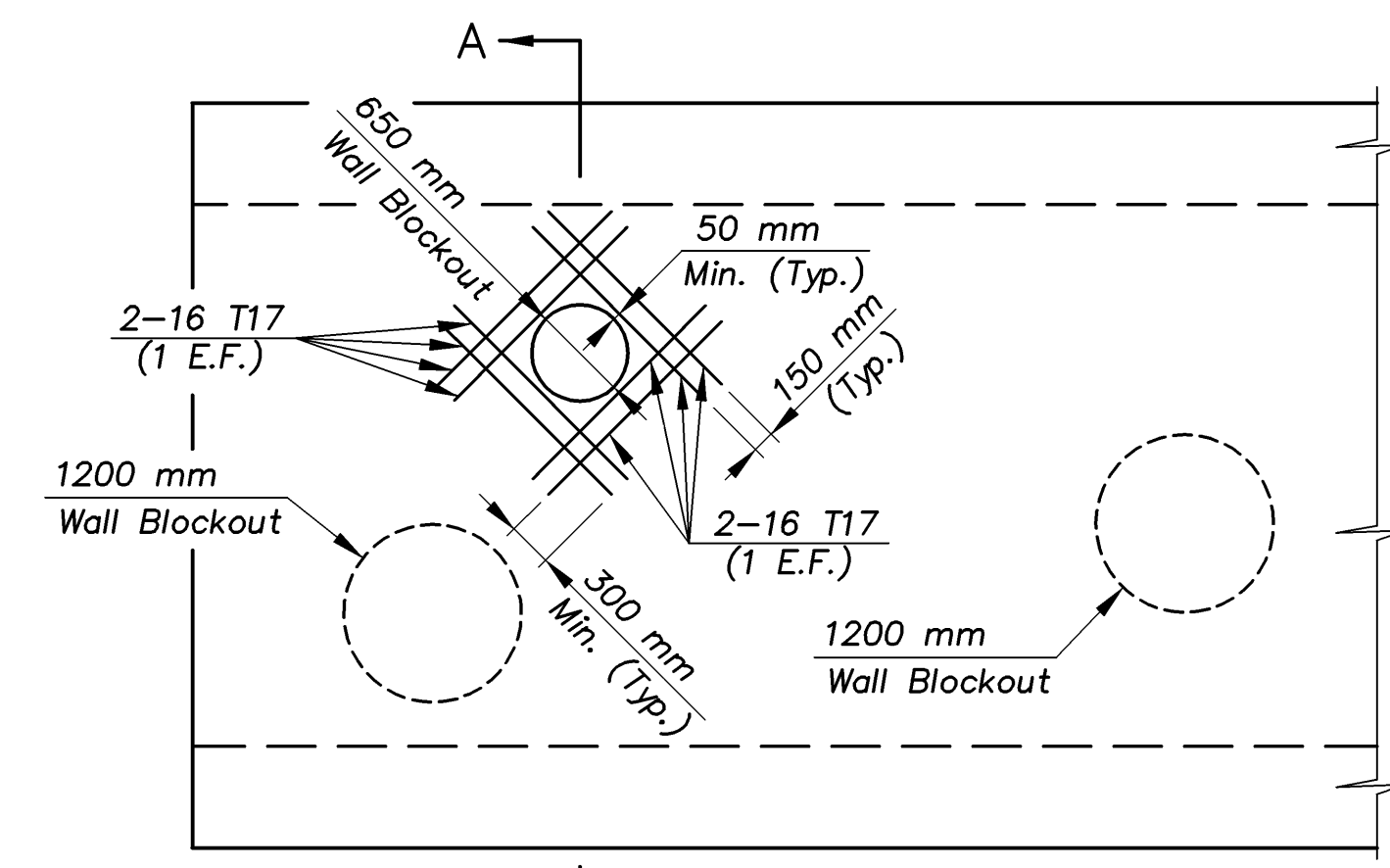
HALF TYPICAL TRANSVERSE SECTION



ELEVATION VIEW OF 650 mm BLOCKOUT
(East wall of RCB)



SECTION A-A



ELEVATION VIEW OF 650 mm BLOCKOUT
(West wall of RCB)

KANSAS DEPARTMENT OF TRANSPORTATION
 BR. NO. 54-87-31.63(706) STA. 4+689.738
TRIPLE 6.1 x 3.7 m R.C.B.
 TYPICAL SECTIONS (Part "B")
 Proj. No. 54-87 K-8258-02 SEDGWICK COUNTY

Cook, Flatt & Strobel
 ENGINEERS, P.A.
 DESIGNED R.S.C. SCALE Varies
 DETAILED T.R.G. DATE
 QUANTITIES T.R.G. SHEET 8 OF 13

J:\01026E\GYPSUM\DETAILS 1:250