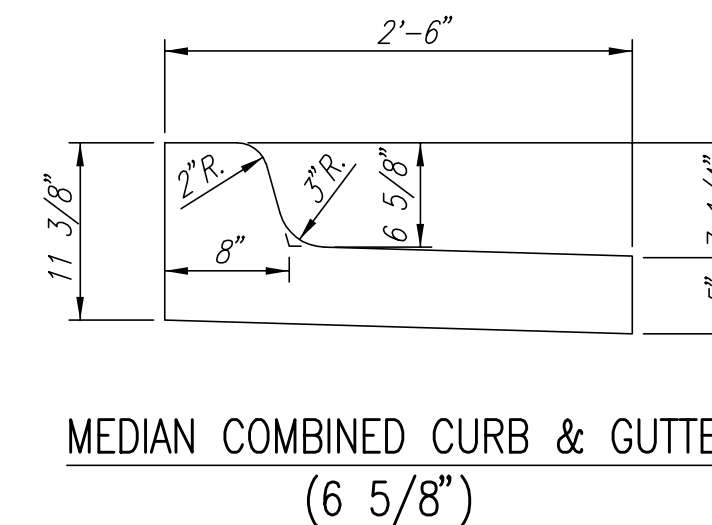
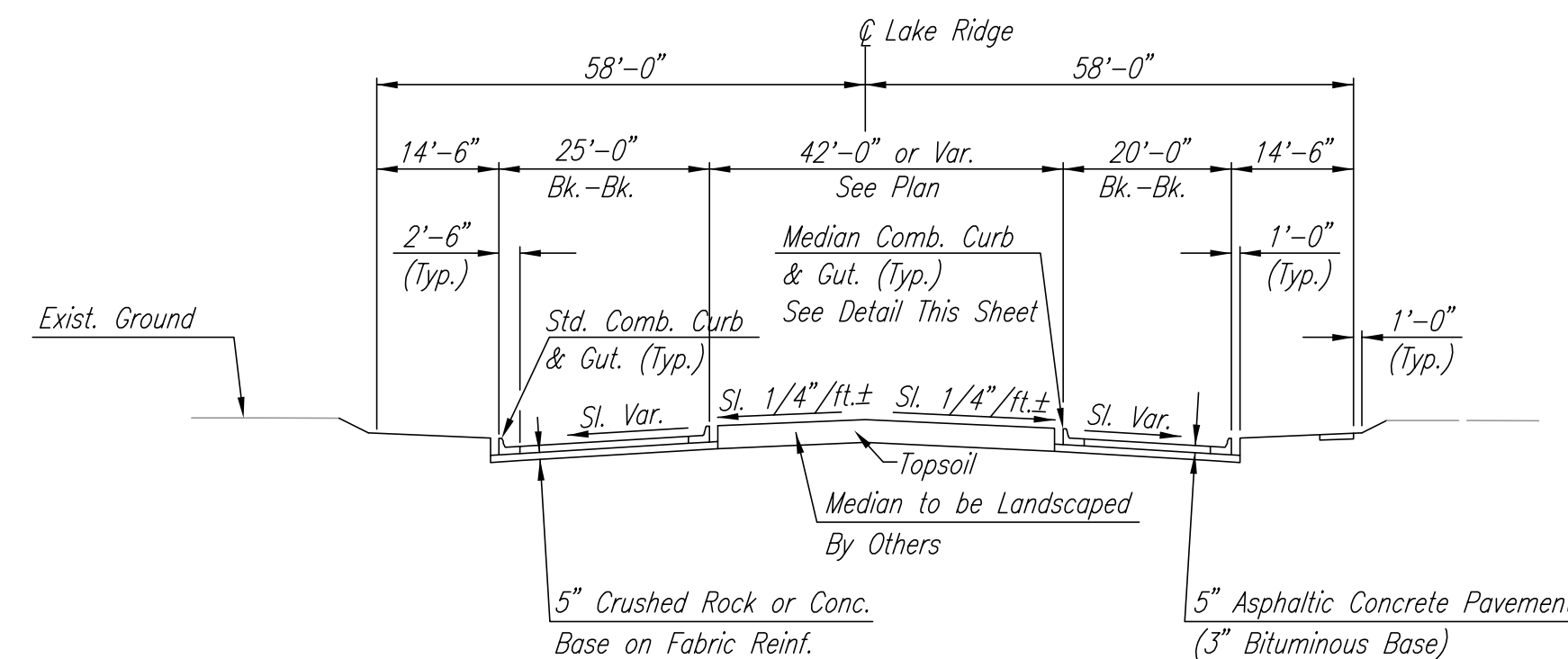


WATER VALVE BOX ELEVATIONS			
STREET	STATION	OFFSET	PROPOSED ELEVATION
LAKE RIDGE	10+57.00	52.0' Lt.	147.9
LAKE RIDGE	13+72.00	29.0' Lt.	148.9
LAKE RIDGE	13+72.00	23.0' Lt.	148.8
LAKE RIDGE	13+75.00	26.0' Lt.	148.9

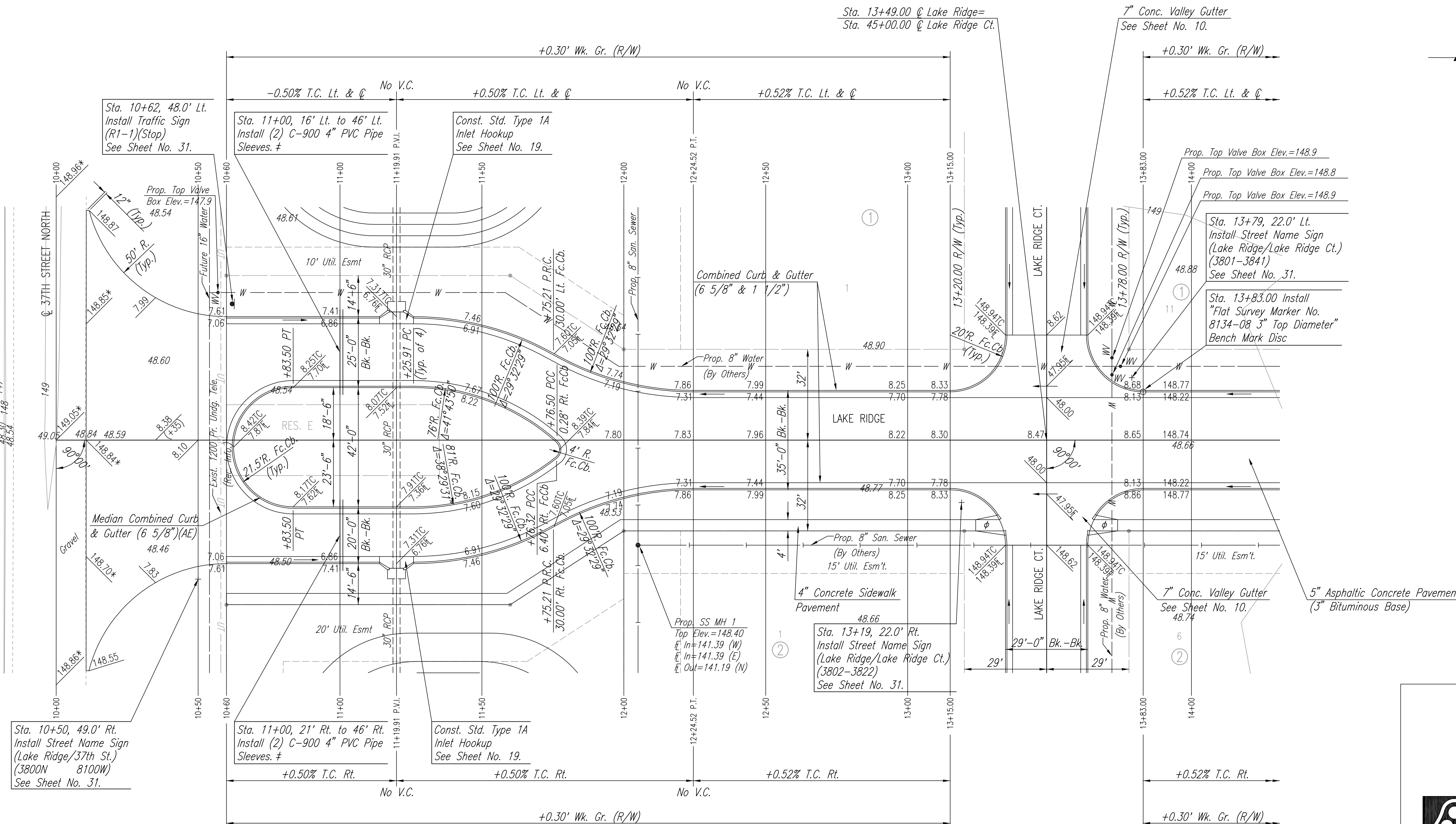


TYPICAL SECTION
Sta. 10+60 to Sta. 12+24.52

MEDIAN COMBINED CURB & GUTTER
(6 5/8")



SCALE: 1"=20'

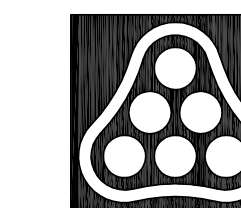


* Match Existing

φ Construct Std. Wheelchair Ramp

Sleeves to be 42" Below Top of Curb. Each end of 4" PVC Pipe Sleeves shall be Capped and Marked with Steel "T" Posts or 2" Dia. Steel Pipe a Maximum of 12" above Finished Grade. Pipe, Caps, Markers, and Installation shall be Subsidiary to Median Comb. Curb & Gutter (6 5/8").

DSNR: BDB OPER: BJS SCALE: 1"=20.00
Q:\2003\03345\000\STR10-14 02-10-2004 08:39:23 am



No.	Revision	By	Date
AVALON PARK-PHASE 1			
LAKE RIDGE			
STA. 10+00 TO STA. 14+00			
JAMES L. ARMOUR, P.E.-ACTING CITY ENGINEER CITY OF WICHITA PROJECT NO. 472-83835			
Professional Engineering Consultants, P.A.			
303 S. TOPEKA • WICHITA, KANSAS 67202 316-262-2691 • FAX 316-262-3003			
Designed by	BDB	Job No.	35-03345
Drawn by	BJS	Date	JUNE 2002
			Sht. 6 of 43