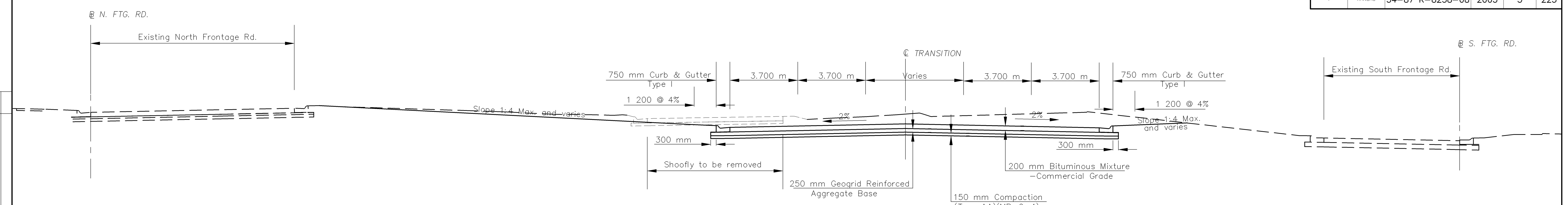
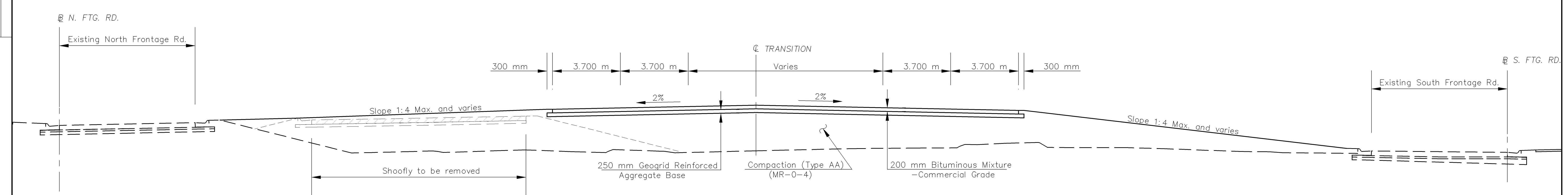


F.H.W.A. REGION NO.	STATE	PROJECT NO.	YEAR	SHEET NO.	TOTAL SHEETS
7	KANSAS	54-87 K-8258-08	2005	3	223

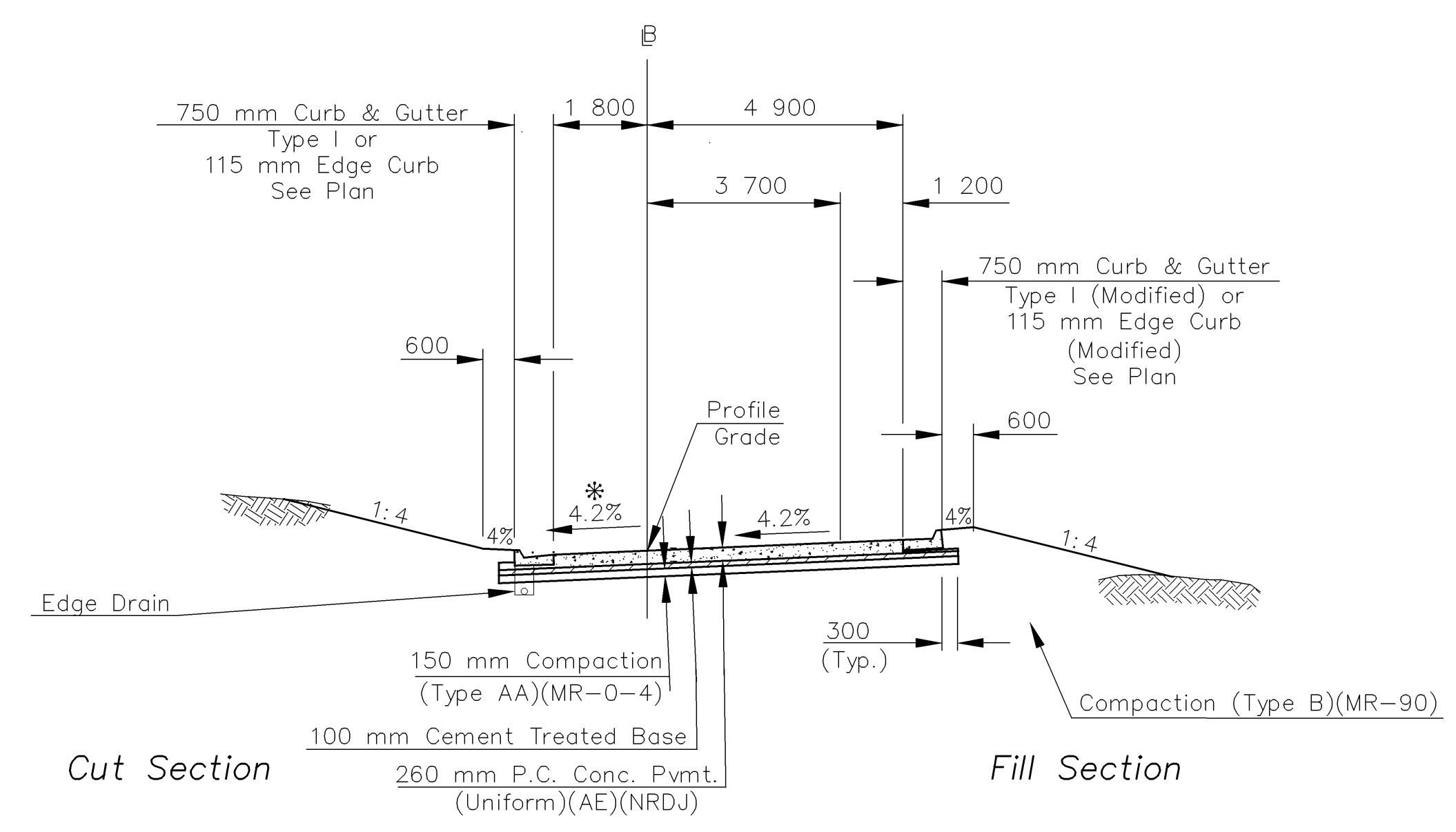
DATE	
BY	
REFERENCE NOTED	
REFERENCE CHECKED	



TYPICAL SECTION - WEST END PROJECT
STA. 4+023.000 TO STA. 4+244.422



TYPICAL SECTION - EAST END PROJECT
STA. 4+846.942 TO STA. 4+958.000



* NOTE: THE SHOULDER SLOPE OF RAMP J SHALL BE 2% INSTEAD OF 4.2% TO ALLOW TWO LANE TRAFFIC DURING CONSTRUCTION OF THE ROCK ROAD BRIDGE.

TYPICAL SECTION - SINGLE LANE RAMP

KANSAS DEPARTMENT OF TRANSPORTATION
TYPICAL SECTIONS
ASPHALT TRANSITIONS & RAMPS
City Of Wichita Sedgwick, Co.

CFS Cook, Flatt & Strobel
ENGINEERS, P. A.

Drawn by: Plotted: SCALE 1:100
File: O:\00011PH2\VOL 1\A040