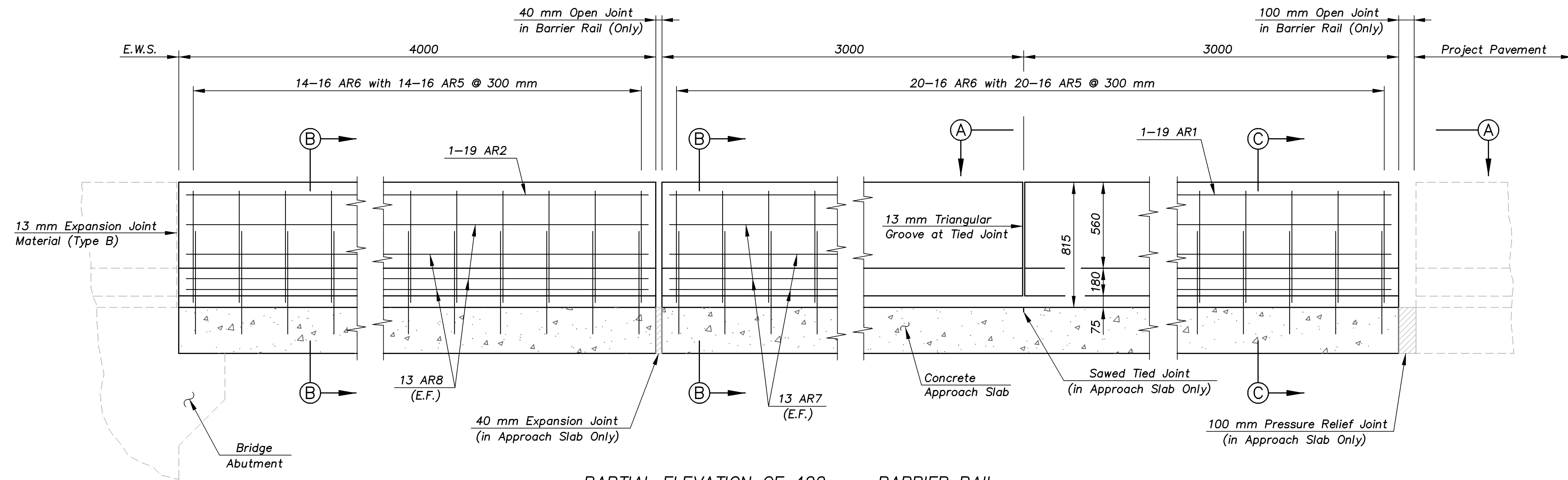
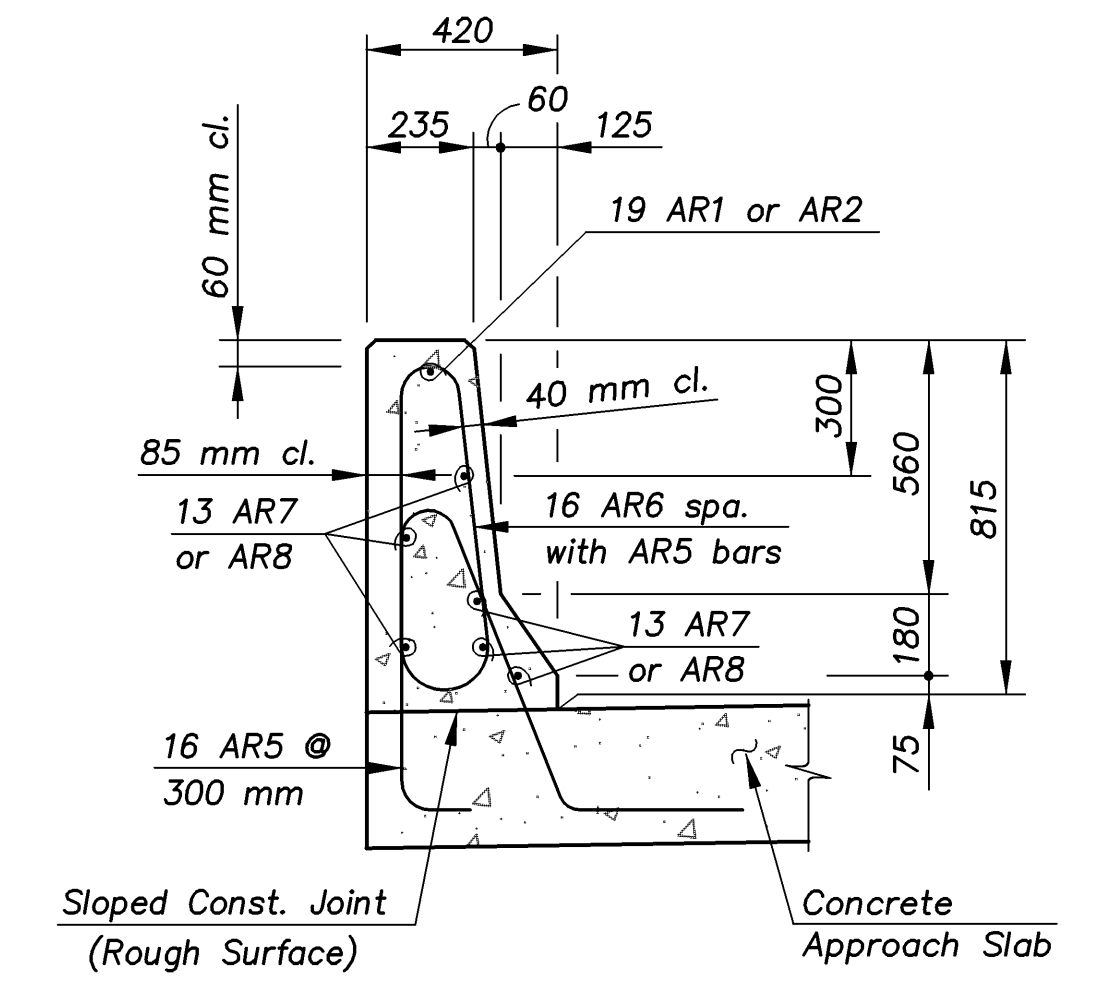


E.F. INDICATES EACH FACE.  
 N.F. INDICATES NEAR FACE.  
 F.F. INDICATES FAR FACE.

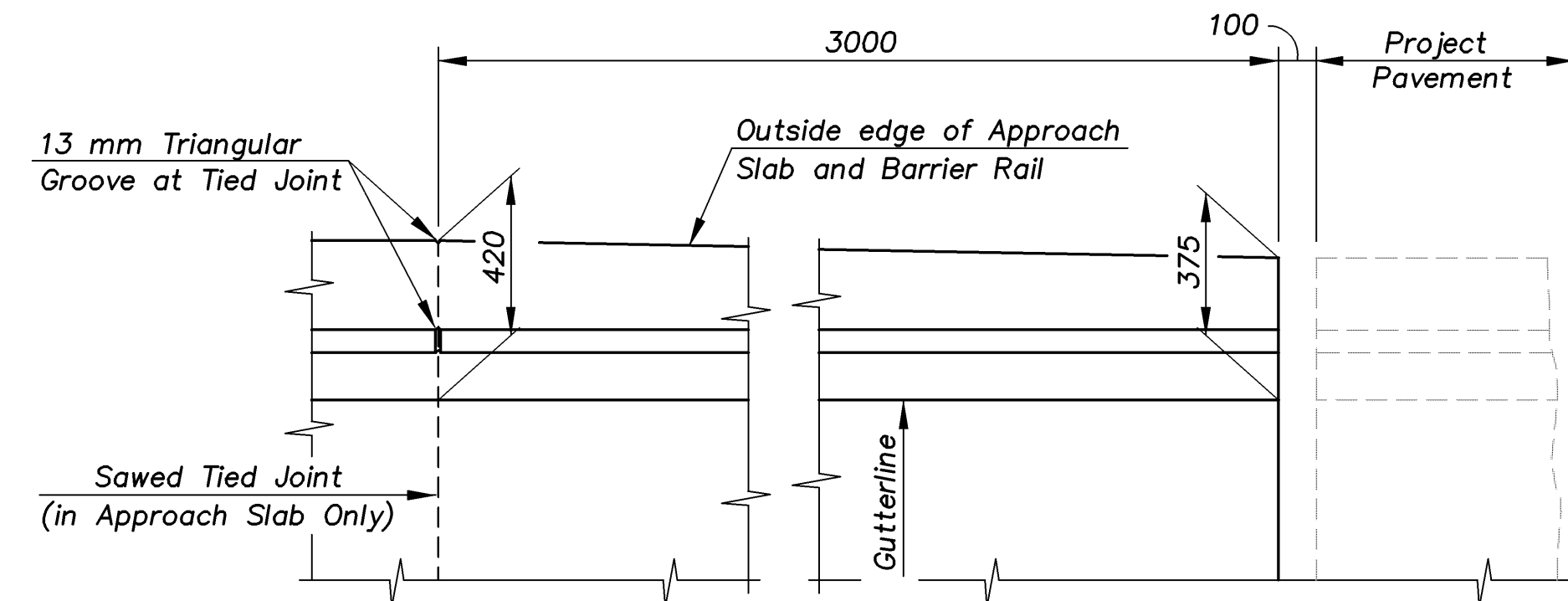
STATE	PROJECT NO.	YEAR	SHEET NO.	TOTAL SHEETS
KANSAS	54-87 K-8258-08	2005	34	223



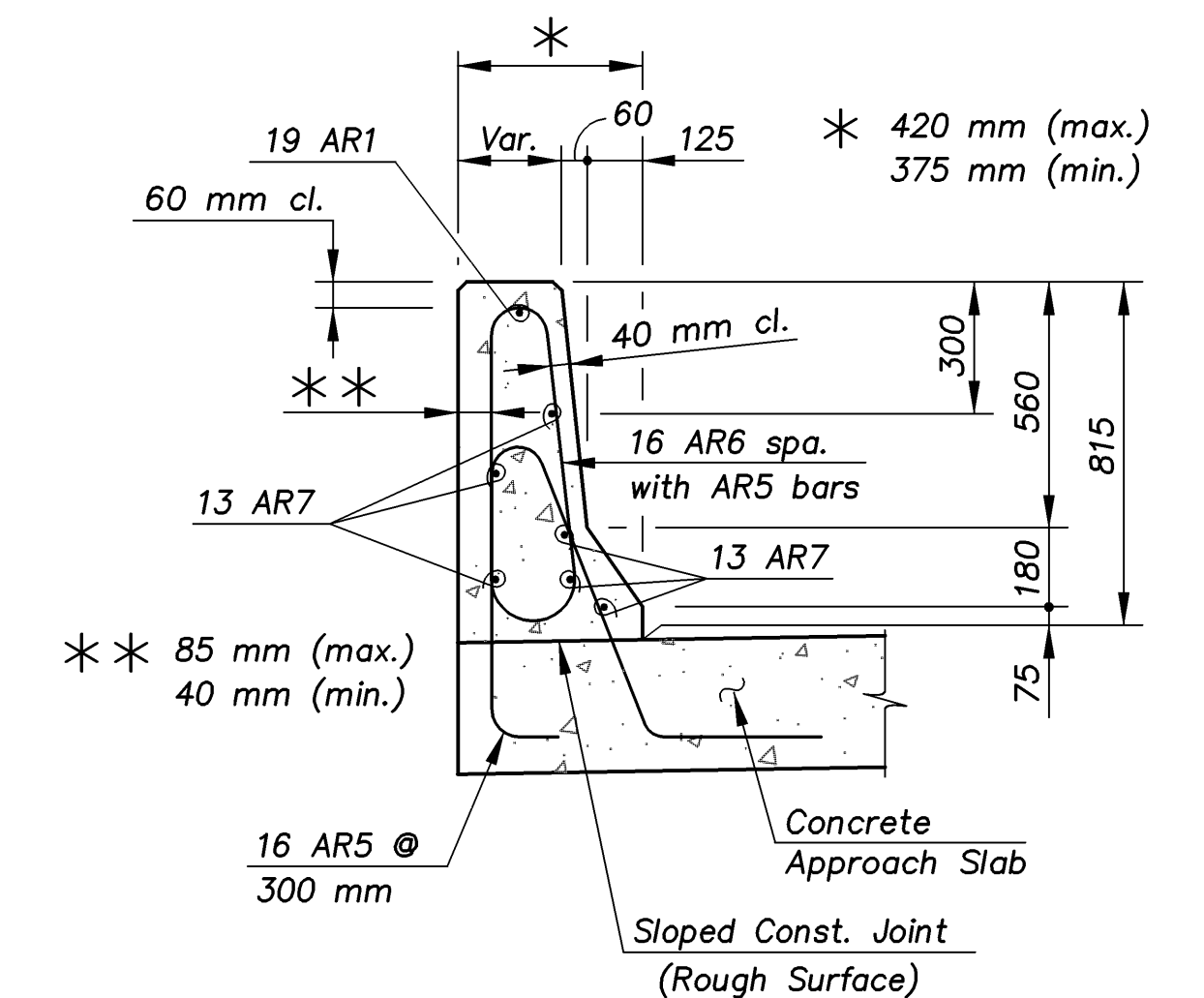
PARTIAL ELEVATION OF 420 mm BARRIER RAIL



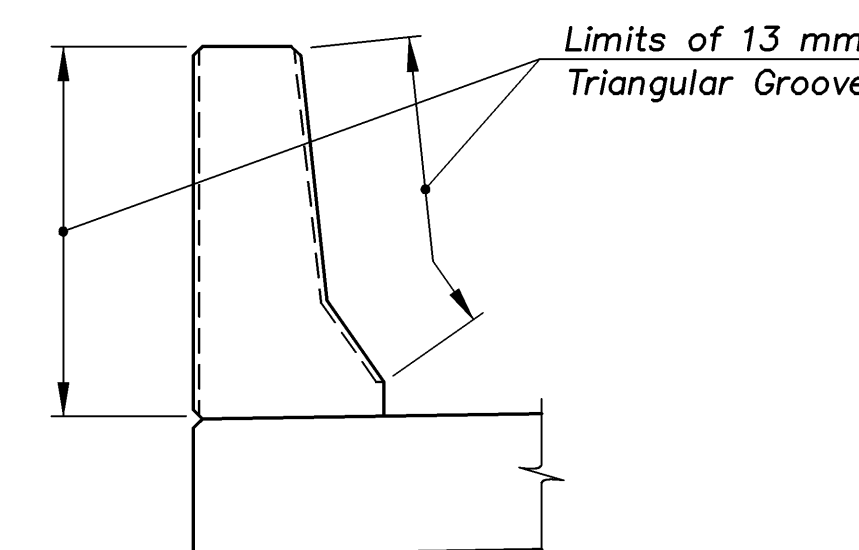
SECTION B-B  
 (420 mm Barrier Rail)



VIEW A-A



SECTION C-C  
 (420 mm Barrier Rail)



VERTICAL GROOVES AT TIED JOINTS

EASTERN/APPROACH 1:100

KANSAS DEPARTMENT OF TRANSPORTATION		BR. NO. 54-87-31.56(705) E.B. STA. 4+575.138	
<b>SPECIAL CONCRETE APPROACH PAVEMENT</b>			
E.B. KELLOGG AVENUE OVER EASTERN			
Proj. No. 54-87 K-8258-08		SEDGWICK COUNTY	
<b>CFS</b>		<b>Cook, Flatt &amp; Strobel</b> ENGINEERS, P. A.	
DESIGNED	R.S.C.	SCALE	
DETAILED	T.R.G.	DATE	
QUANTITIES	T.R.G.	SHEET	3 OF 3