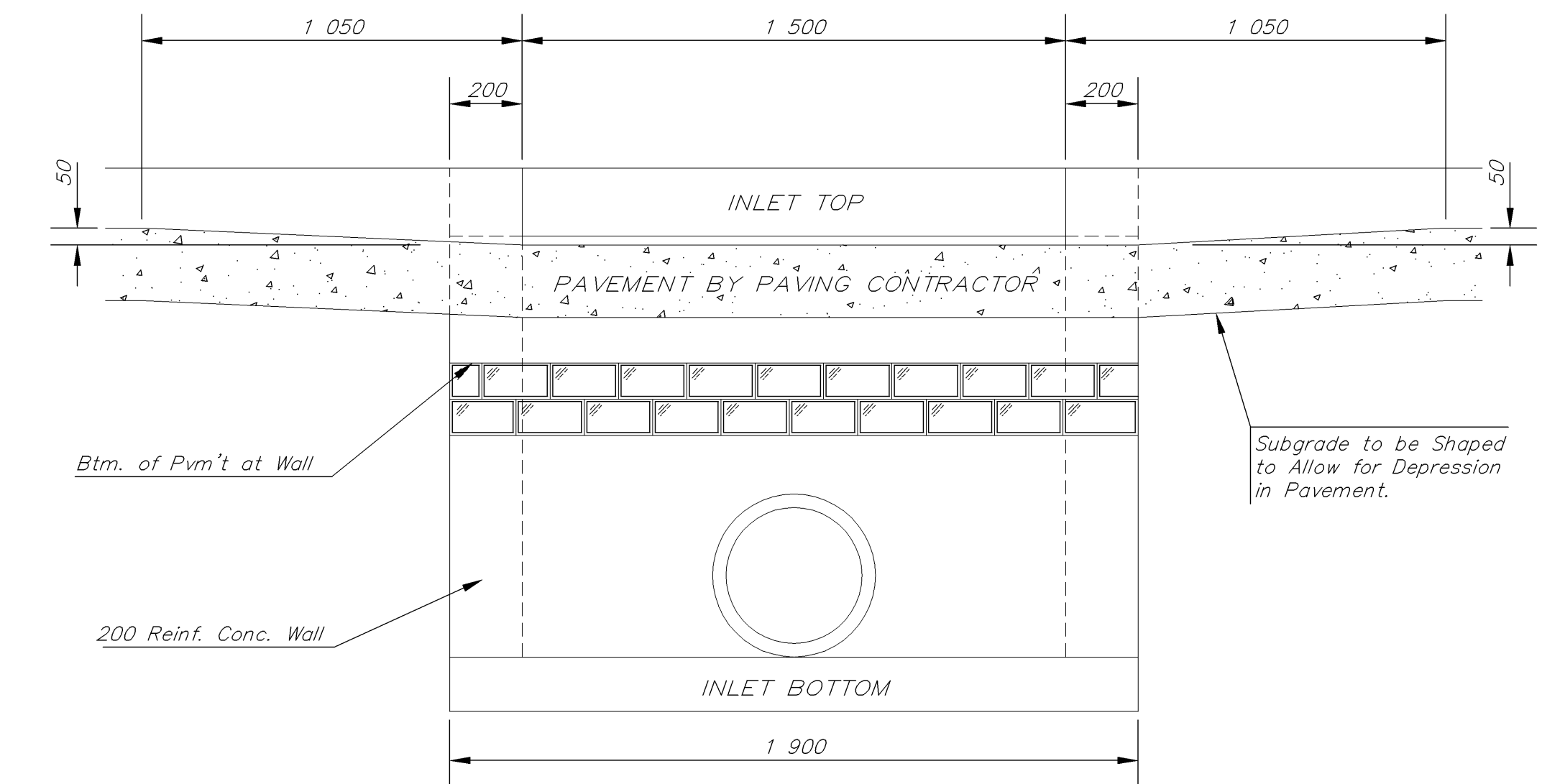
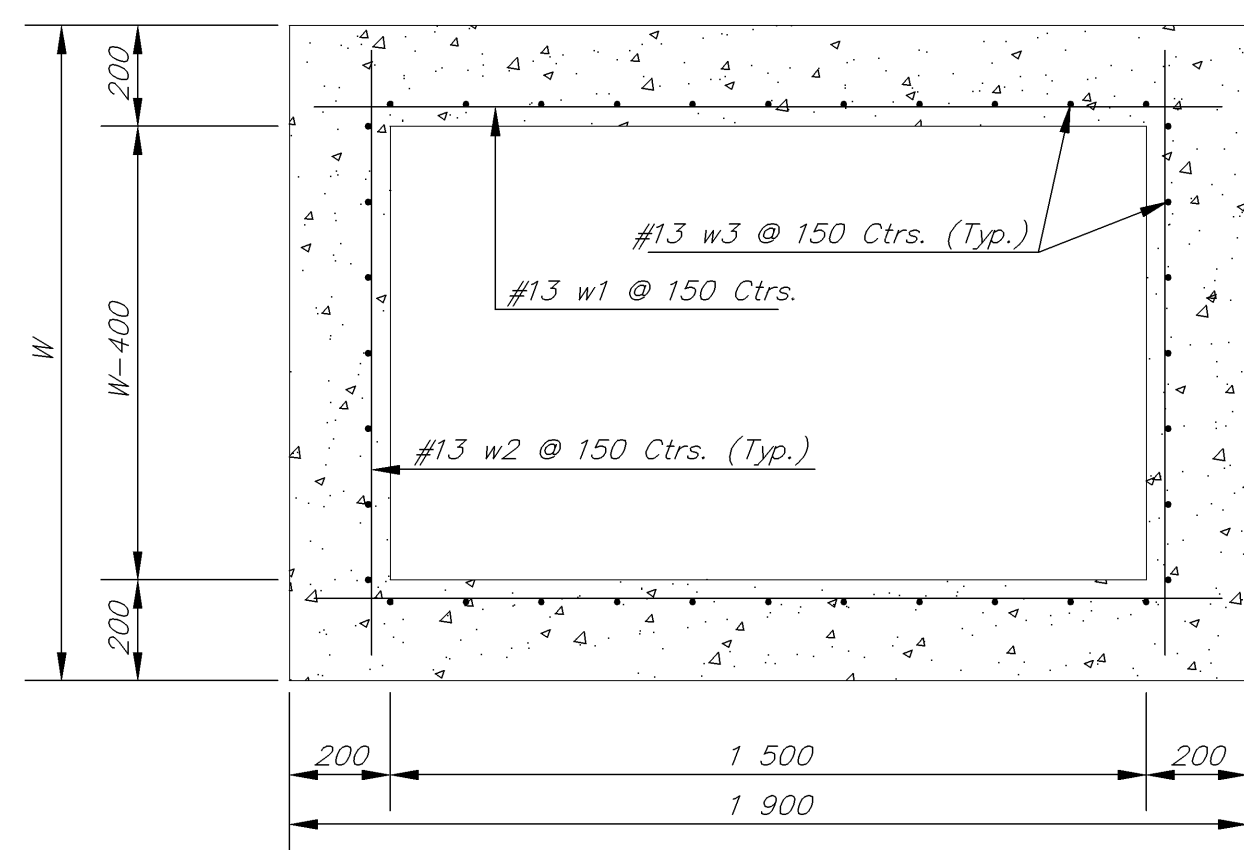


PLAN



SECTION E-E

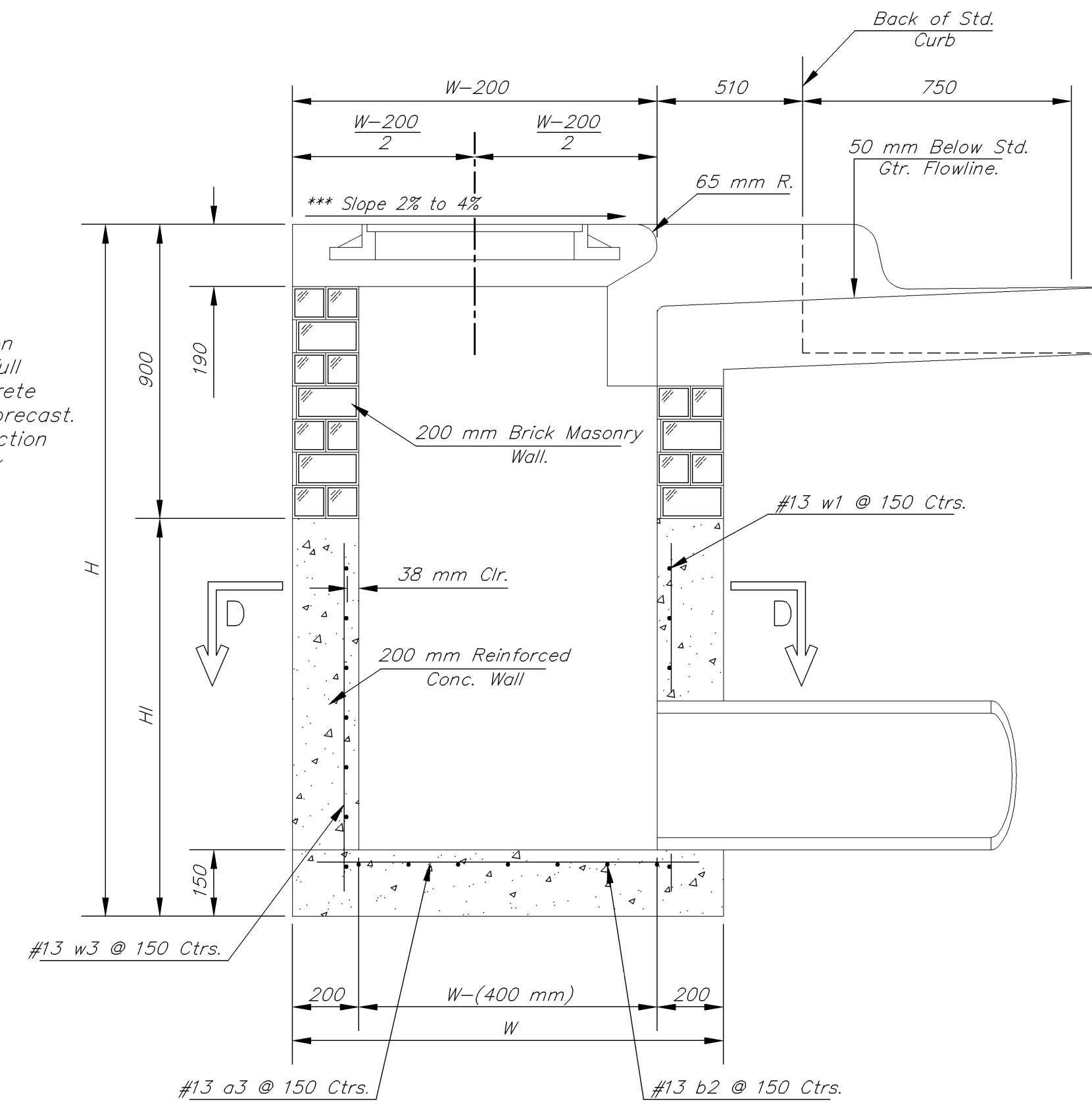


SECTION D-D

NOTE: Inlet Top Reinforcing shall be Spaced on 150 Max. Centers. Inlet Lids Shall be Notched Out as Indicated to Facilitate Construction of Curb.

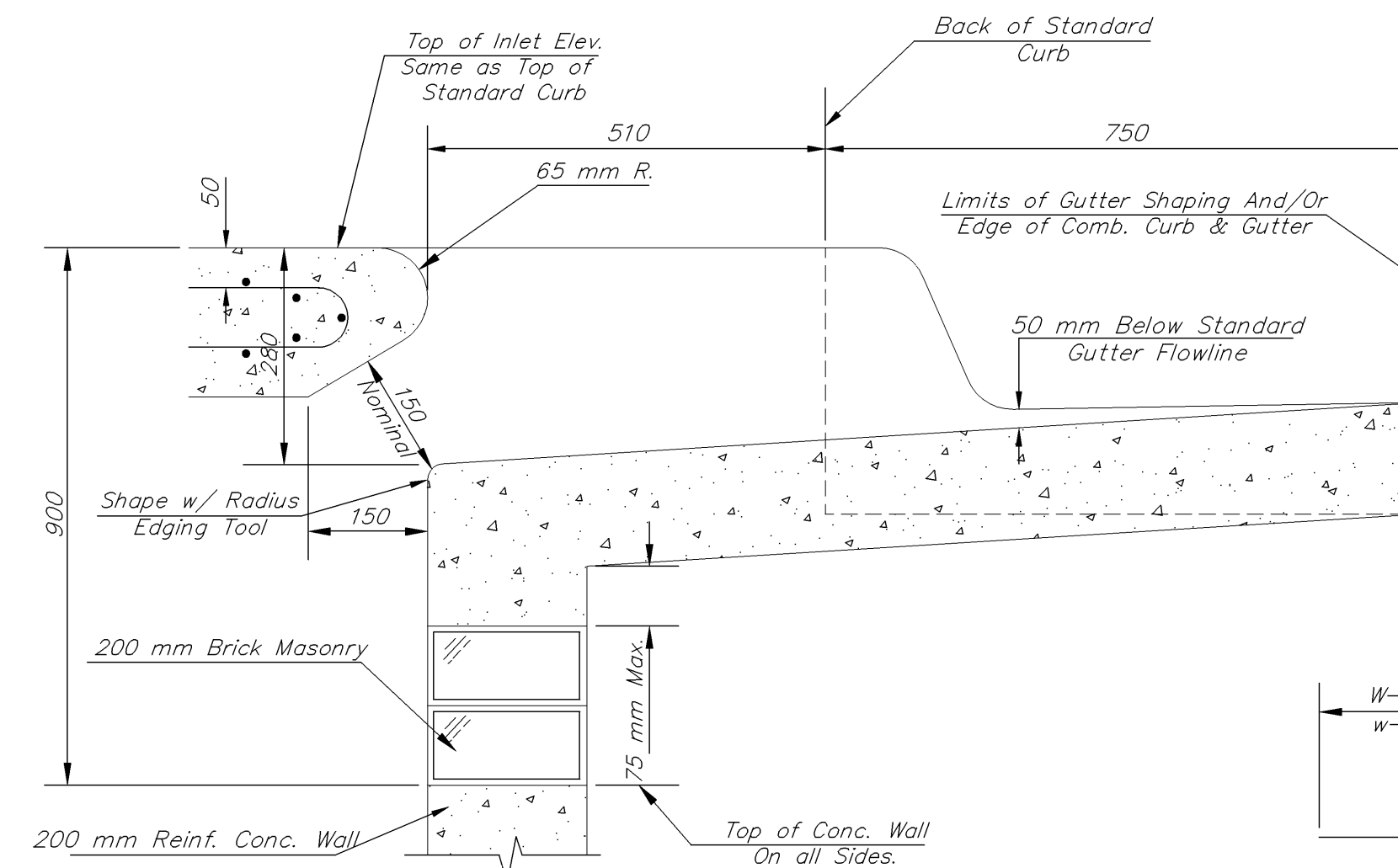
NOTE: Concrete Tops to be installed on thin mortar cushion to insure full support along brick walls. Concrete tops may be cast in place or precast. Concrete used for inlet construction shall be concrete pavement mix with air entrainment.

NOTE: Expansion Joint Only in Curb Area With Concrete Pavement. Location Point For Station, Offset, & Elevation See Plans

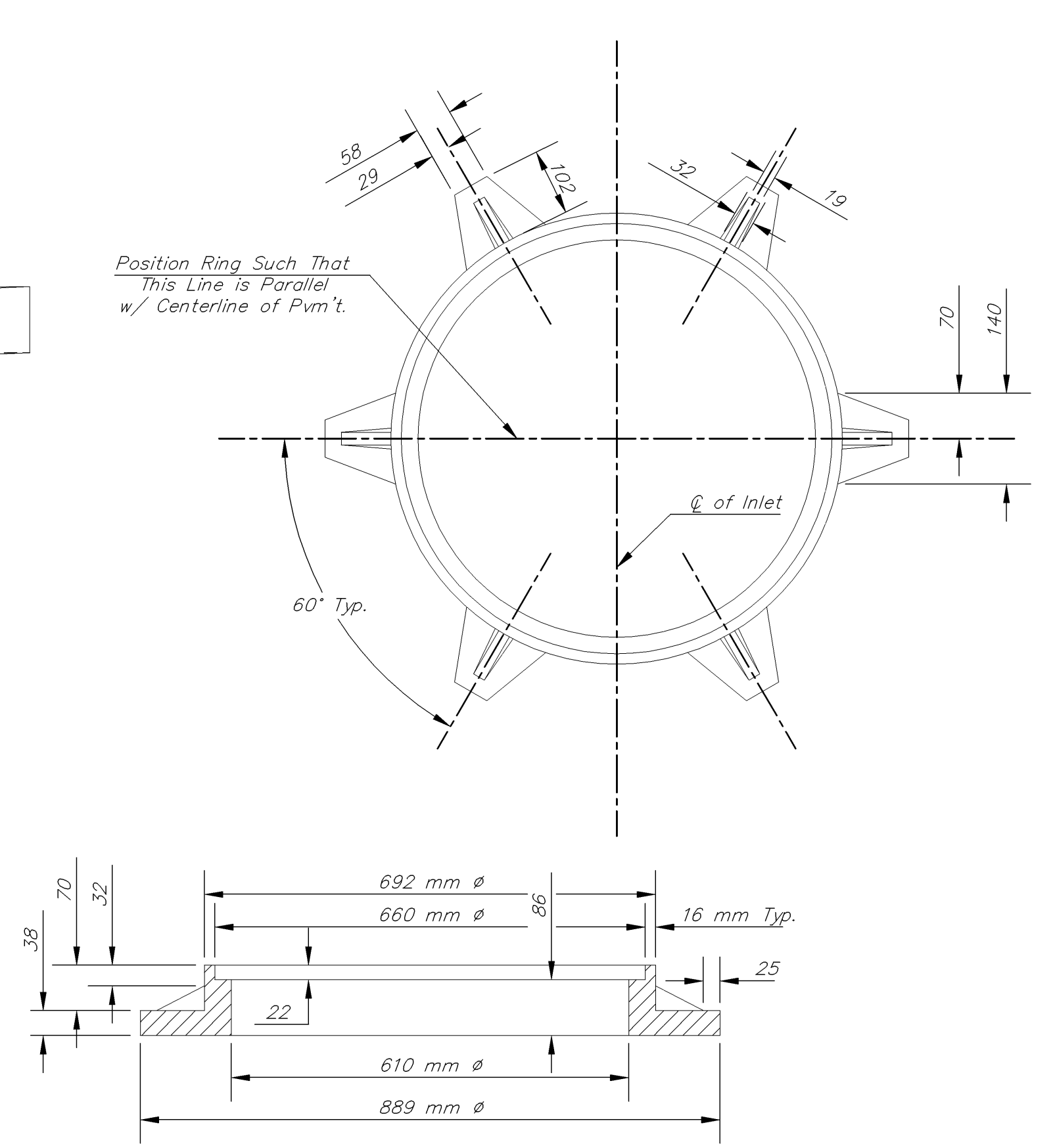


SECTION A-A

***NOTE: Slope of Inlet tops to Match Sidewalk or Parking Slopes within Limits Indicated.



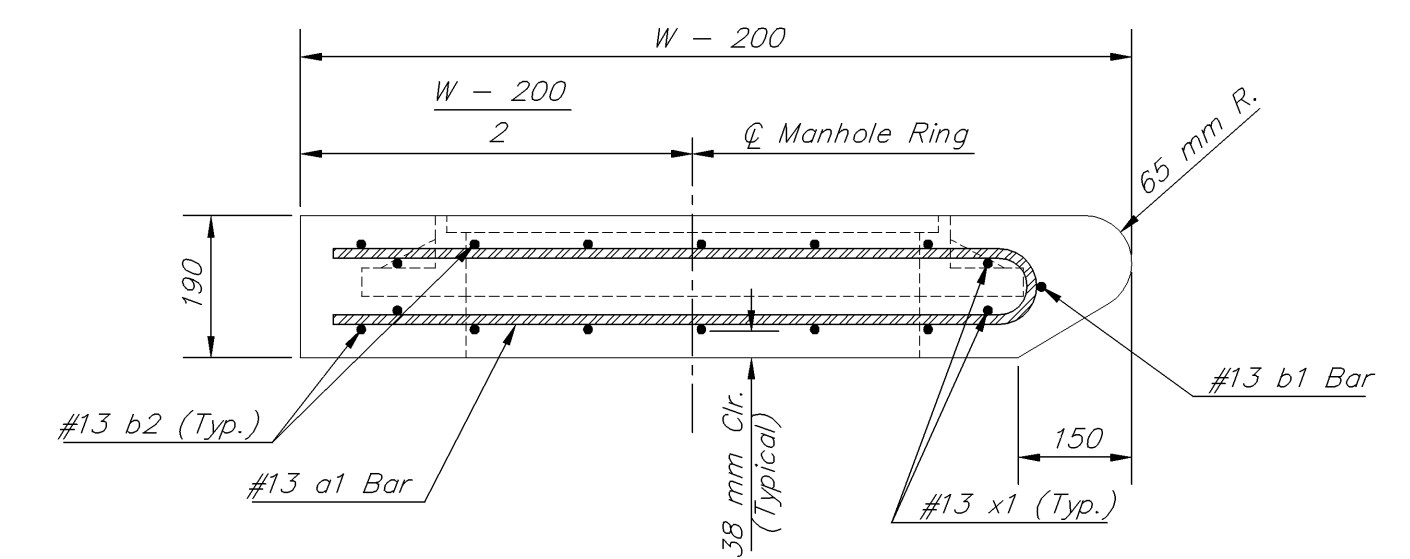
SECTION B-B



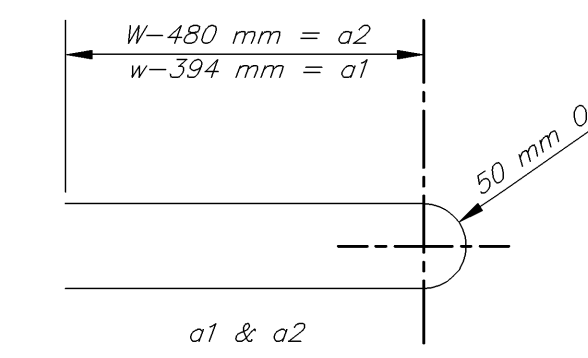
MANHOLE RING AND COVER

Weight = 81.7 kg

*See City of Wichita Standard Manhole Ring and Cover Detail Sheet for Cover Details to Be Used With Inlet Frame.



SECTION A-A



BENDING DIAGRAM

PRECAST SLAB AND FLOOR REINFORCING											
MARK	SIZE	W = 1,321 m		W = 1,625 m		W = 1,930 m		W = 2,235 m		W = 2,540 m	
		NO.	LENGTH	NO.	LENGTH	NO.	LENGTH	NO.	LENGTH	NO.	LENGTH
* a1	#13	6	2,007 m	6	2,616 m	6	3,226 m	6	3,835 m	6	4,445 m
a2	#13	4	1,829 m	4	2,438 m	4	3,048 m	4	3,658 m	4	4,267 m
a3	#13	13	1,244 m	13	1,549 m	13	1,854 m	13	2,159 m	13	2,464 m
b1	#13	1	1,448 m	1	1,448 m	1	1,448 m	1	1,448 m	1	1,448 m
* b2	#13	23	1,854 m	29	1,854 m	35	1,854 m	41	1,854 m	47	1,854 m
x1	#13	8	1,168 m	8	1,270 m	8	1,372 m	8	1,473 m	8	1,575 m

WALL REINFORCING											
MARK	SIZE	W = 1,321 m		W = 1,625 m		W = 1,930 m		W = 2,235 m		W = 2,540 m	
		NO.	LENGTH	NO.	LENGTH	NO.	LENGTH	NO.	LENGTH	NO.	LENGTH
w1	#13	①	1,854 m	①	1,854 m	①	1,854 m	①	1,854 m	①	1,854 m
w2	#13	①	1,244 m	①	1,549 m	①	1,854 m	①	2,159 m	①	2,464 m
w3	#13	32	②	36	②	40	②	44	②	48	②

* Field Bend or Cut Reinforcing as Required for Clearance.
 ① 4 (Hl - 300 mm); (Hl - 300 mm) Rounded down to nearest 150 mm.
 ② Hl - 75 mm

STANDARD CURB INLET PRECAST TOPS			
W	PRE-CAST TOP SIZE	PIPE SIZE	cu m CONC.
1,321 m	1,121 m x 1,900 m x 190 mm	525 mm & SMALLER	0.29±
1,625 m	1,425 m x 1,900 m x 190 mm	600 & 750 mm	0.39±
1,930 m	1,730 m x 1,900 m x 190 mm	900 & 1,050 mm	0.49±
2,235 m	2,035 m x 1,900 m x 190 mm	1,200 & 1,350 mm	0.59±
2,540 m	2,340 m x 1,900 m x 190 mm	1,500 & 1,650 mm	0.69±

THE CITY OF WICHITA
CITY ENGINEER'S OFFICE
CITY HALL - SEVENTH FLOOR
455 NORTH MAIN STREET
WICHITA, KANSAS 67202
(316) 268-4501
(316) 268-4114 FAX

STANDARD TYPE 1-A
CURB INLET
OPENING = 150 x 1 500 mm

M. E. LINDEBAK P.E. - CITY ENGINEER

PROJECT NUMBER	INDEX CODE
DATE MAR 96	SHEET 57 OF 223

TYP1A-S.DWG