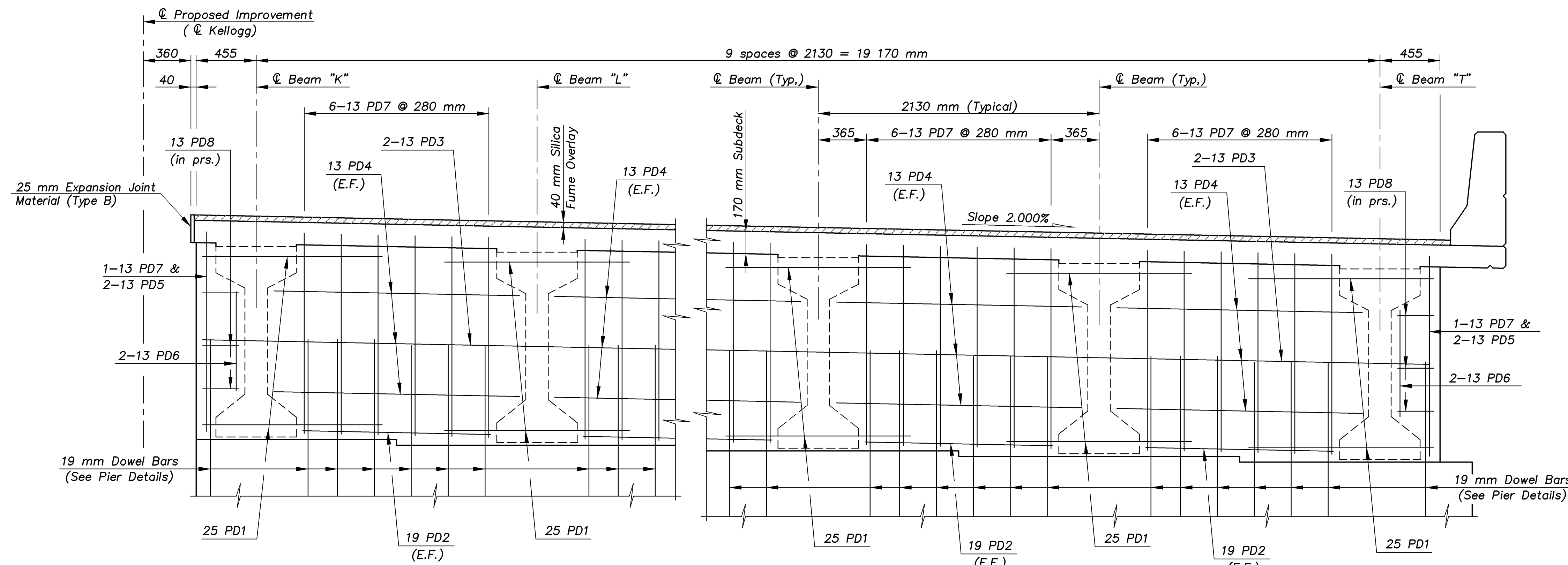
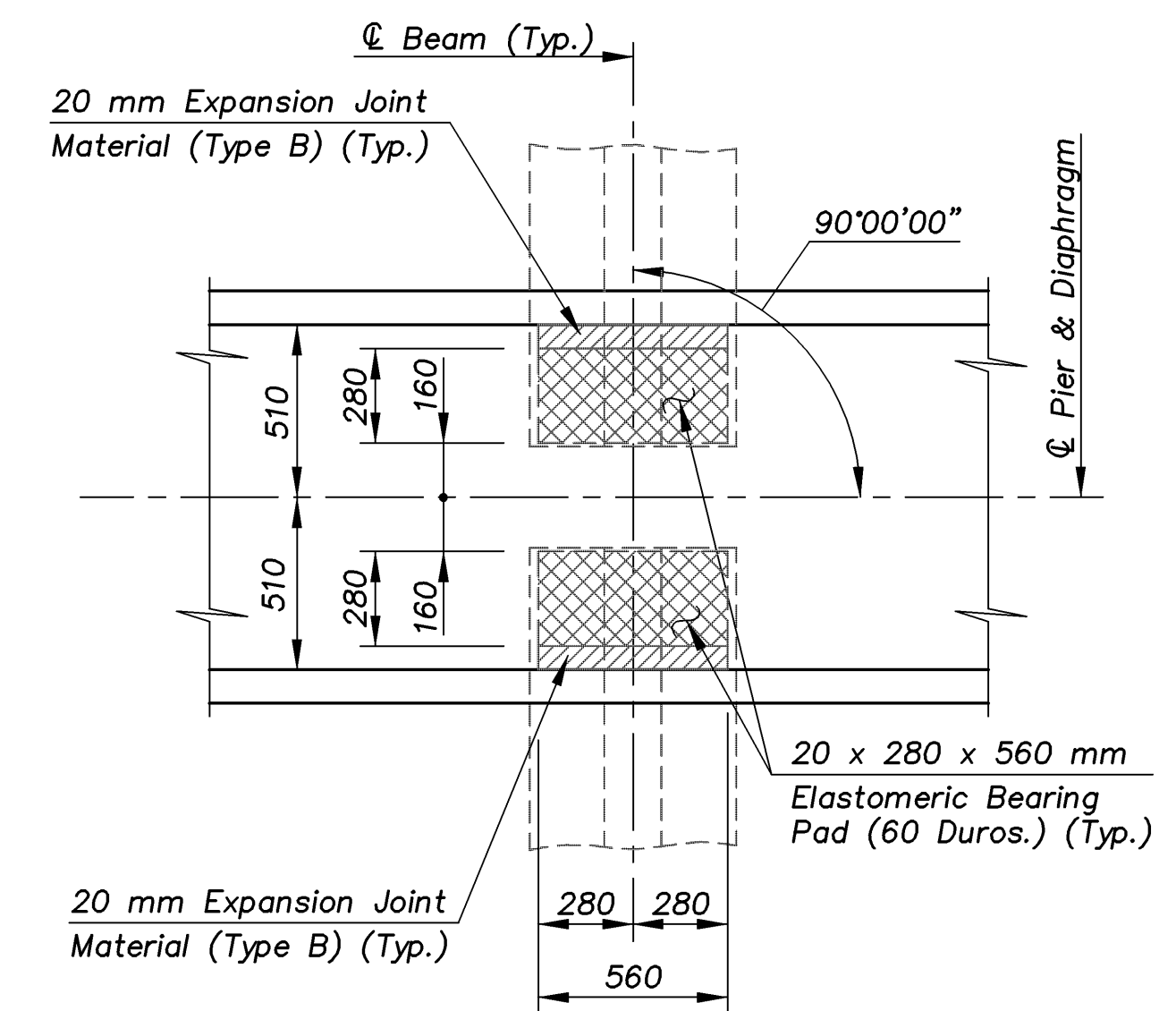


E.F. INDICATES EACH FACE.  
 N.F. INDICATES NEAR FACE.  
 F.F. INDICATES FAR FACE.

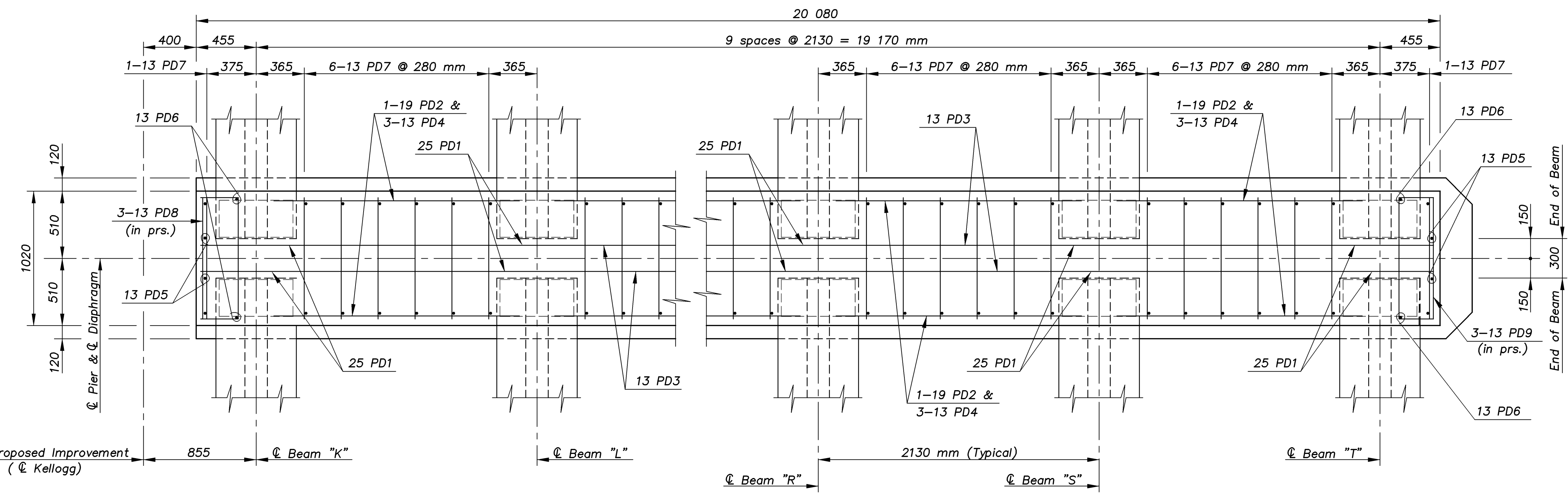
STATE	PROJECT NO.	YEAR	SHEET NO.	TOTAL SHEETS
KANSAS	54-87 K-8258-08	2005	111	223



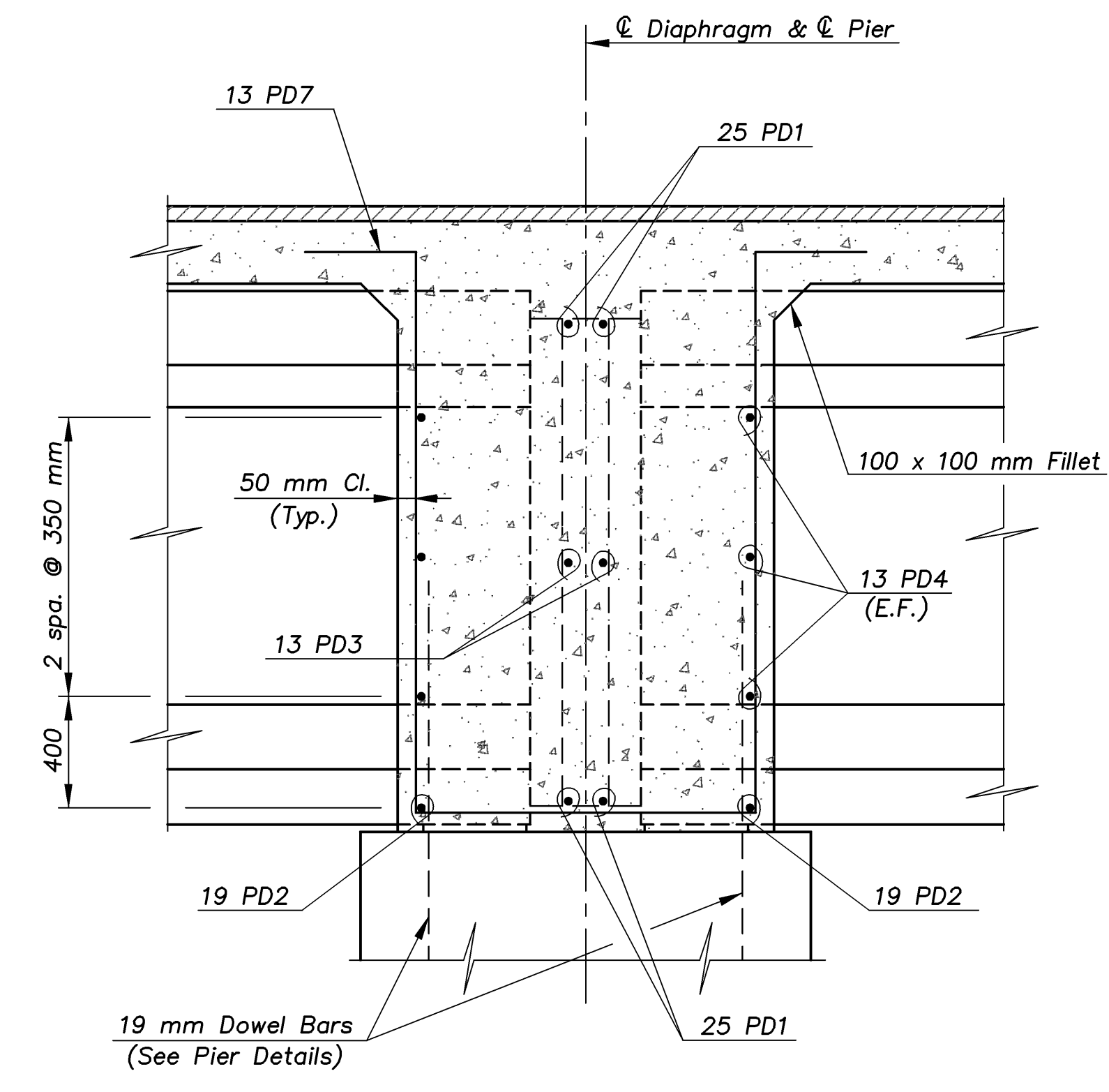
**PARTIAL ELEVATION SHOWING DIAPHRAGM AT PIER**  
 (Looking Ahead Station)



**TYPICAL BEARING PAD LAYOUT**



**PARTIAL PLAN VIEW SHOWING DIAPHRAGM AT PIER**



**TYPICAL SECTION THRU DIAPHRAGM**

EASTERN/DIAPHRAGMS 1:100

KANSAS DEPARTMENT OF TRANSPORTATION		<b>CFS</b> Cook, Flatt & Strobel ENGINEERS, P. A.
BR. NO. 54-87-31.56(705) E.B.	STA. 4+575.138	
<b>PIER DIAPHRAGM DETAILS</b>		DESIGNED R.S.C. SCALE Varies
KELLOGG AVENUE OVER EASTERN		DETAILED T.R.G. DATE
Proj. No. 54-87 K-8258-08	SEDGWICK COUNTY	QUANTITIES T.R.G. SHEET 33 OF 47