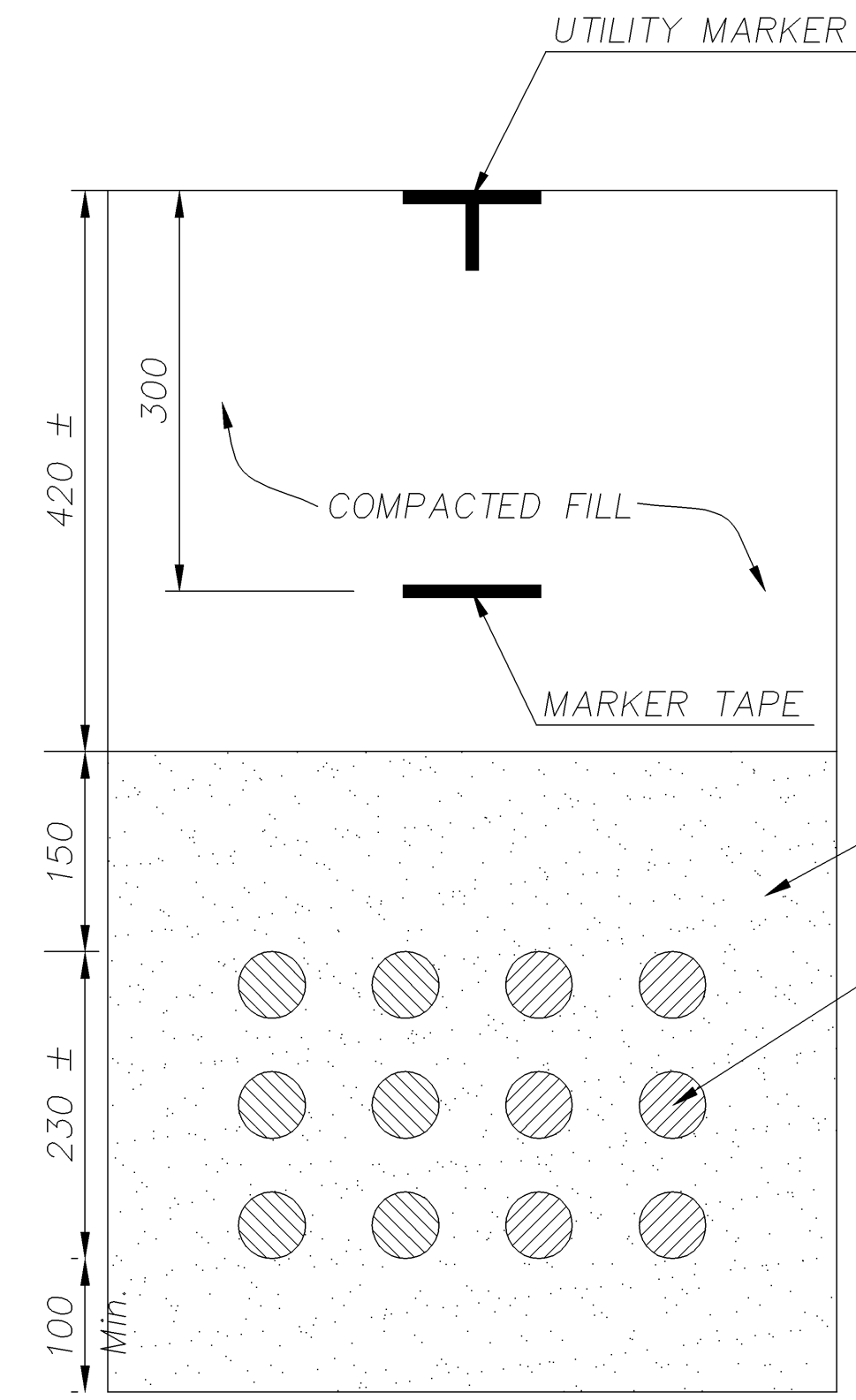
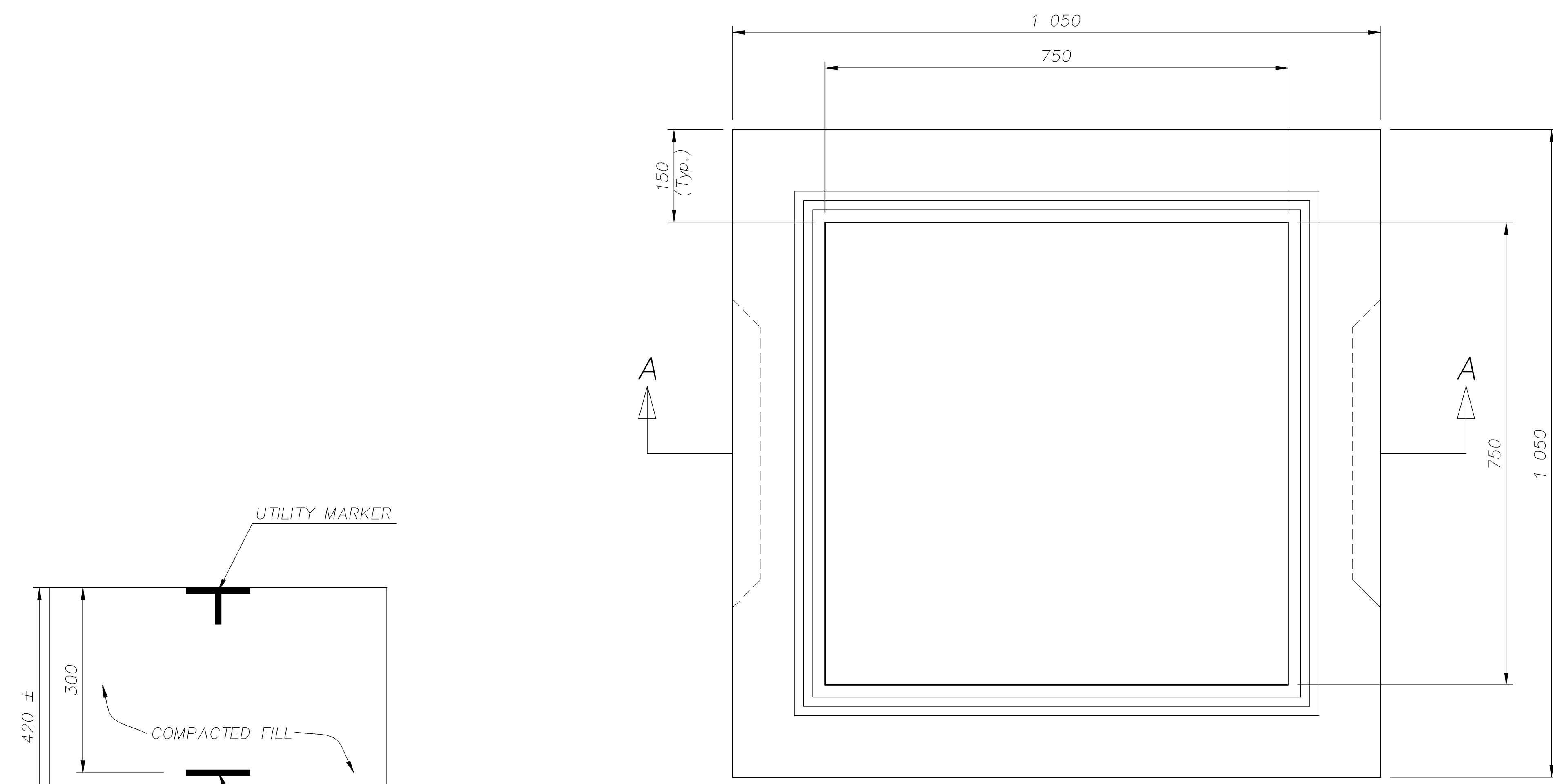


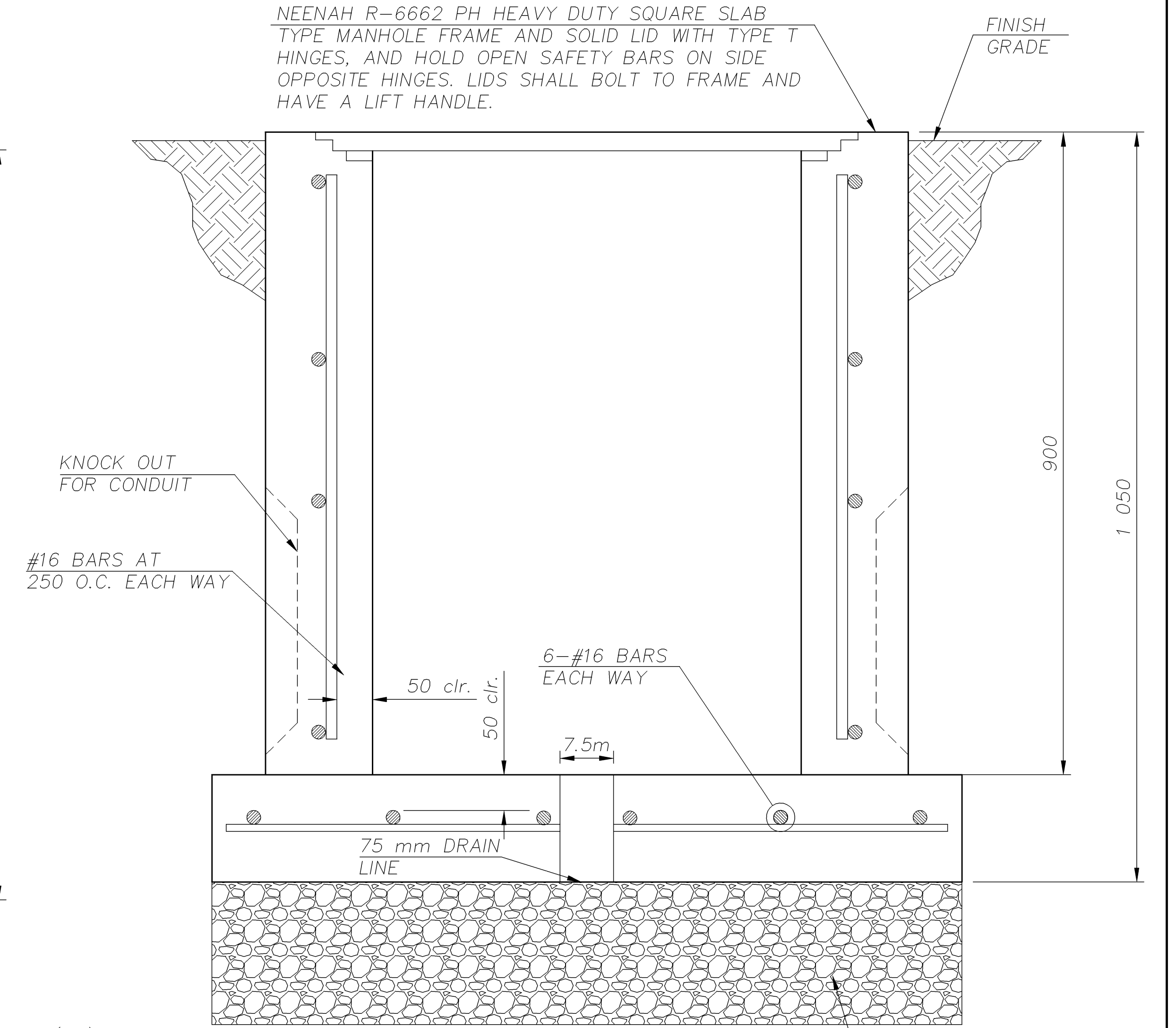
STATE	PROJECT NO.	YEAR	SHEET NO.	TOTAL SHEETS
KANSAS	54-87 K-8258-08	2005	150	223

DATE
BY
REFERENCE NOTED
REFERENCE CHECKED



COMPACTED SAND BACKFILL  
95% ASTM D1557  
12-38 mm PVC OR HDPE  
SCHEDULE 40 CONDUIT.

TOP VIEW



NEENAH R-6662 PH HEAVY DUTY SQUARE SLAB  
TYPE MANHOLE FRAME AND SOLID LID WITH TYPE T  
HINGES, AND HOLD OPEN SAFETY BARS ON SIDE  
OPPOSITE HINGES. LIDS SHALL BOLT TO FRAME AND  
HAVE A LIFT HANDLE.

KNOCK OUT  
FOR CONDUIT  
#16 BARS AT  
250 O.C. EACH WAY

6-#16 BARS  
EACH WAY

50 clr.  
50 clr.

75 mm DRAIN  
LINE

SECTION "A-A"

200 mm min. layer of  
13 mm clean crushed  
rock as approved by  
the Engineer

NOTES:  
1. USE GRADE 31 CONCRETE (AE).  
2. REINFORCING STEEL SHALL BE  
DEFORMED REINFORCING BARS IN  
COMPLIANCE WITH THE REQUIREMENTS  
OF ASTM A615M, GRADE 420.

COMMUNICATION DUCT SERVICE BOX

DUCT BANK DETAIL

NOTE:  
THE CONTRACTOR SHALL CONSTRUCT THE 12 CONDUIT DUCT BANK AT  
THE LOCATIONS SHOWN ON THE PLANS. THE VERTICAL ELEVATION OF  
THE DUCT BANK SHALL BE ADJUSTED BY THE CONTRACTOR AS  
APPROVED BY THE ENGINEER TO CLEAR UTILITIES. THIS WORK SHALL  
BE INCLUDED IN THE LUMP SUM PRICE BID FOR ELECTRIC LIGHTING  
SYSTEM. THE BID PRICE SHALL INCLUDE ALL MATERIALS, TOOLS, LABOR  
EQUIPMENT, PULL BOXES AND INCIDENTALS NECESSARY TO COMPLETE  
THE WORK.

NO.	DATE	REVISIONS	BY	APP'D.

COMMUNICATION DUCT SERVICE BOX  
& DUCT BANK DETAIL