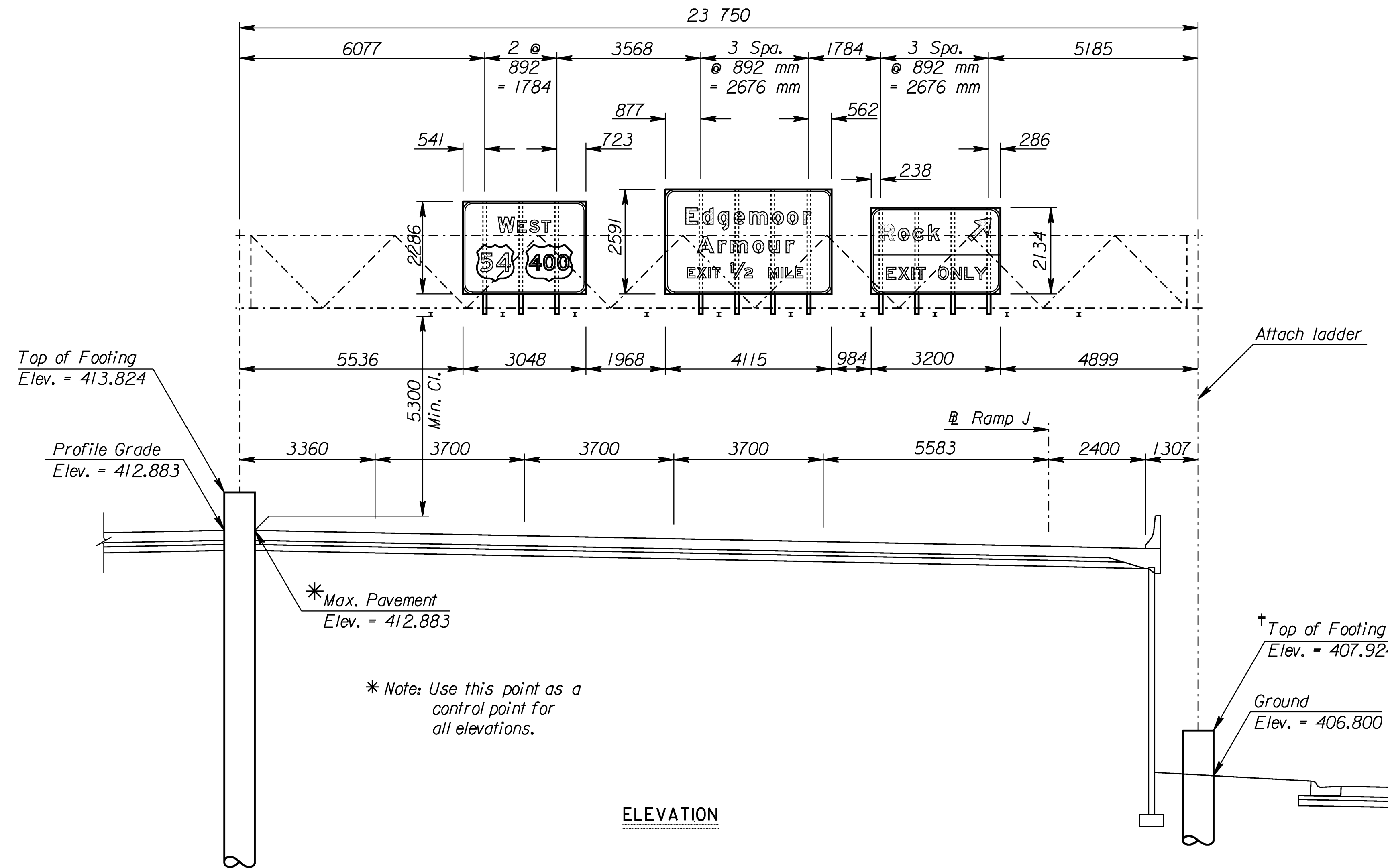
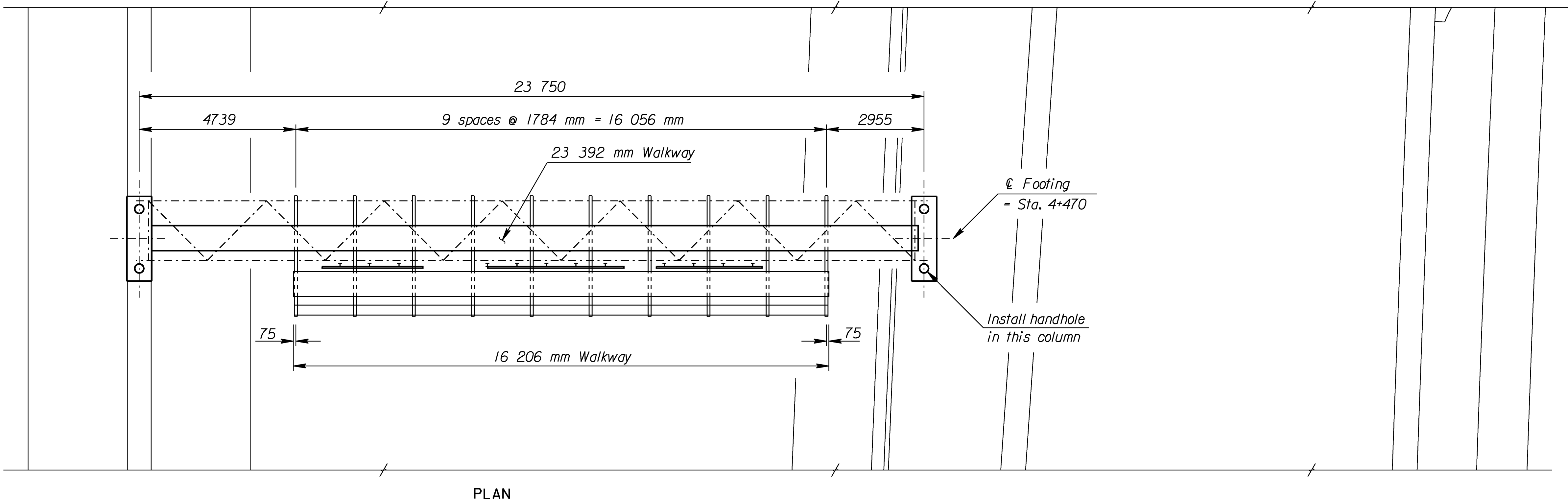


STATE	PROJECT NO.	YEAR	SHEET NO.	TOTAL SHEETS
KANSAS	54-87 K-8258-01	2005	168	223



ALUMINUM DETAILS				
TRUSS	Member 1 Wall Thickness		6.35	
	Member 2 Wall Thickness		5.74	
	N = 13	X = 279	S = 1784	Camber = 32
END SUPPORTS	Member 1 Wall Thickness		12.7	
	Member 2 Wall Thickness		6.02	
	Left	N = 2	S = 2050	L = 6520
FOOTINGS	Right	N = 5	S = 2000	L = 12420
	Left Type	J	Right Type	J

- †NOTES:
- 1.) "Right Type" footing shall be drilled shafts.
 - 2.) Install the "Right Type" footing before beginning wall construction in this area.



Scale 1:75

Plotted By: bond
 File: F:\Working\82580\SL Structures\SL-825808-Sta. 4+470.dgn
 Plot Date: 6/29/2005

NO.	DATE	REVISIONS	BY	APP'D
3				
2				
1				

KANSAS DEPARTMENT OF TRANSPORTATION
 W.B. US-54 STATION 4+470
 SPAN TYPE OVERHEAD SIGN STRUCTURE
 CONSTRUCTION LAYOUT
 ALUMINUM ALTERNATE

PROJ. NO. 54-87 K-8258-01 SEDGWICK CO.

SHEET NO.	OF	SCALE	APP'D
DESIGNED	SMB	DETAILED	SMB
DESIGN CK.	DETAIL CK.	QUAN. CK.	CADD CK.