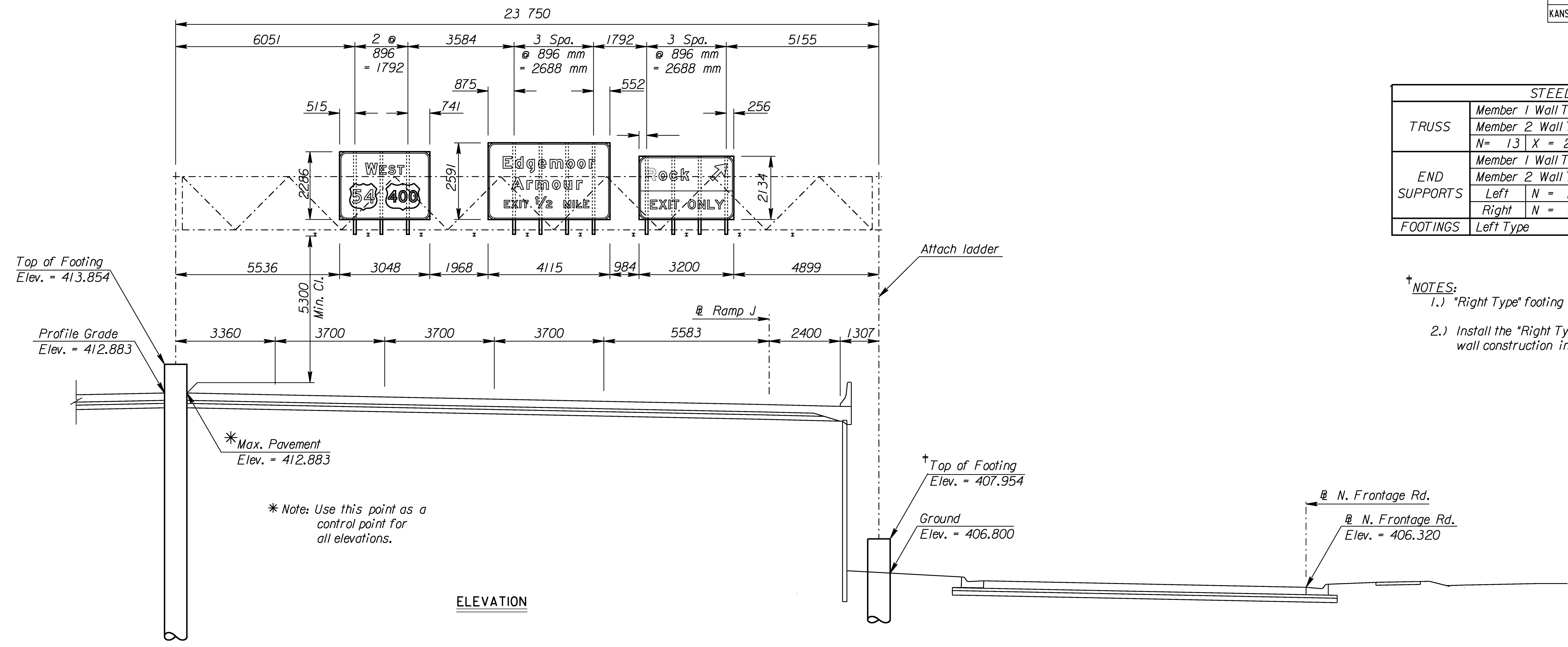
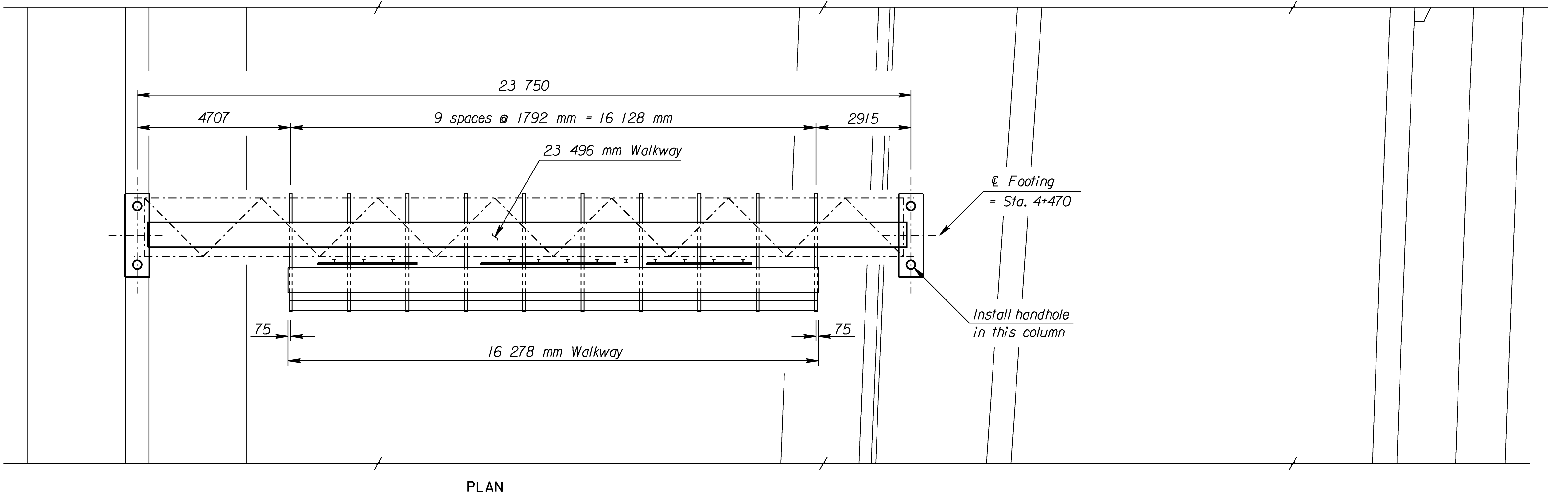


STATE	PROJECT NO.	YEAR	SHEET NO.	TOTAL SHEETS
KANSAS	54-87 K-8258-01	2005	169	223



STEEL DETAILS		
TRUSS	Member 1 Wall Thickness	5.56
	Member 2 Wall Thickness	5.16
	N = 13 X = 227 S = 1792 Camber = 32	
END SUPPORTS	Member 1 Wall Thickness	6.35
	Member 2 Wall Thickness	3.18
	Left N = 2 S = 2050 L = 6465	
Right N = 5 S = 2000 L = 12365		
FOOTINGS	Left Type J Right Type J	

- †NOTES:
- "Right Type" footing shall be drilled shafts.
 - Install the "Right Type" footing before beginning wall construction in this area.



Scale 1:75

Plotted By: bond
 File: F:\Working\82580\SL Structures\SL-825808-Sta. 4+470.dgn
 Plot Date: 6/29/2005

NO.	DATE	REVISIONS	BY	APP'D
3				
2				
1				

KANSAS DEPARTMENT OF TRANSPORTATION
 W.B. US-54 STATION 4+470
 SPAN TYPE OVERHEAD SIGN STRUCTURE
 CONSTRUCTION LAYOUT
 STEEL ALTERNATE
 PROJ. NO. 54-87 K-8258-01 SEDGWICK CO.

SHEET NO.	OF	SCALE	APP'D
DESIGNED	SMB	DETAILED	SMB
DESIGN CK.	DETAIL CK.	QUAN. CK.	CADD CK.