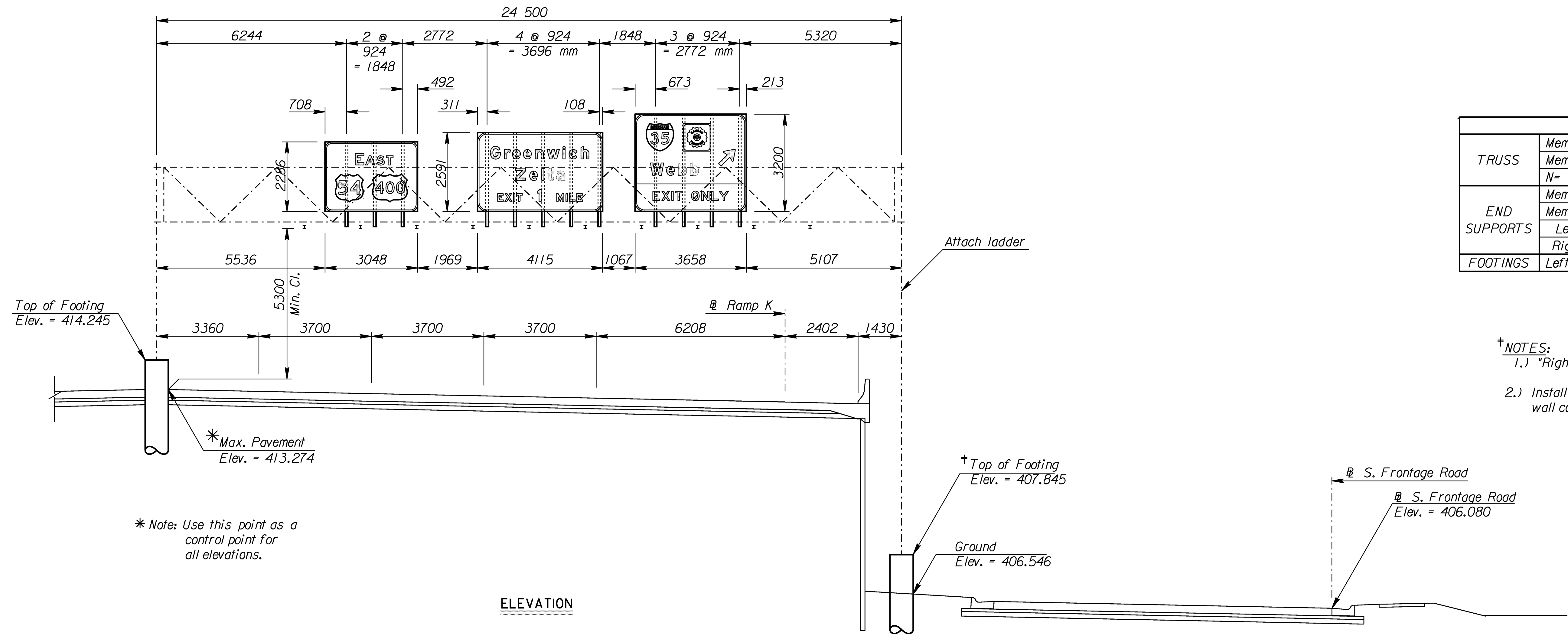


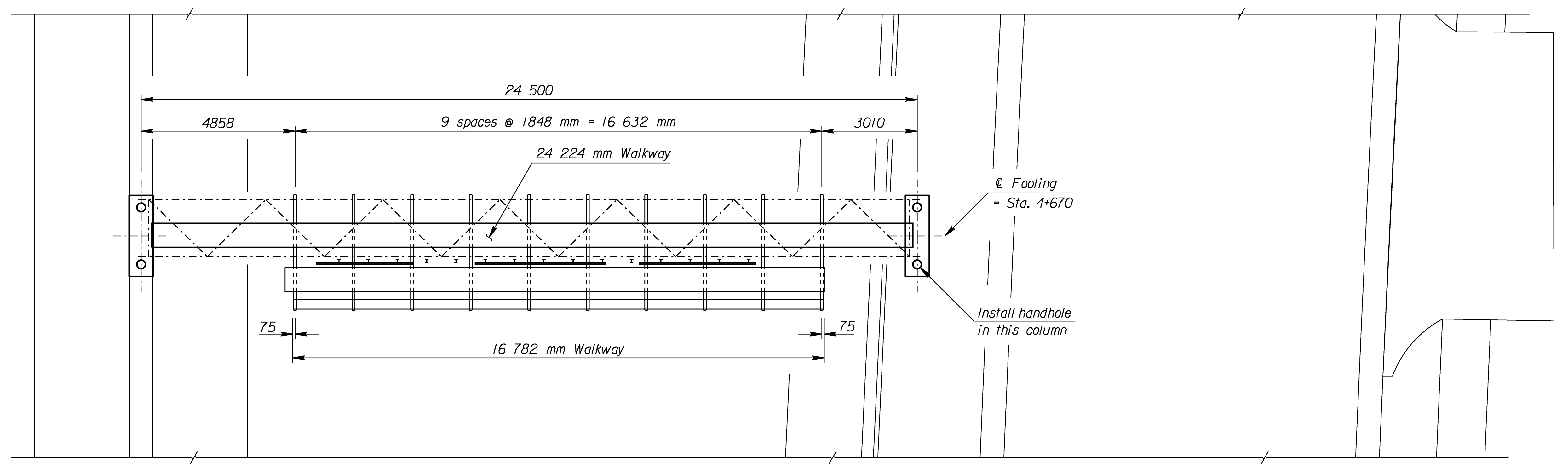
STATE	PROJECT NO.	YEAR	SHEET NO.	TOTAL SHEETS
KANSAS	54-87 K-8258-01	2005	171	223

STEEL DETAILS				
TRUSS	Member 1 Wall Thickness		5.56	
	Member 2 Wall Thickness		5.16	
	N = 13	X = 238	S = 1848	Camber = 34
END SUPPORTS	Member 1 Wall Thickness		7.92	
	Member 2 Wall Thickness		5.49	
	Left	N = 2	S = 2050	L = 6465
	Right	N = 5	S = 2100	L = 12865
FOOTINGS	Left Type		J	
	Right Type		J	

- NOTES:**
- "Right Type" footing shall be drilled shafts.
 - Install the "Right Type" footing before beginning wall construction in this area.



* Note: Use this point as a control point for all elevations.



Scale 1:75

3					
2					
1					
NO.	DATE	REVISIONS	BY	APP'D	
KANSAS DEPARTMENT OF TRANSPORTATION E.B. US-54 STATION 4+670 SPAN TYPE OVERHEAD SIGN STRUCTURE CONSTRUCTION LAYOUT STEEL ALTERNATE PROJ. NO. 54-87 K-8258-01 SEDGWICK CO.					
SHEET NO.	OF	SCALE	APP'D		
DESIGNED	SMB	DETAILED	SMB	QUANTITIES	CADD
DESIGN CK.		DETAIL CK.		QUAN. CK.	CADD CK.

Plotted By: bond
 File: F:\Working\82580\NSL_Structures\SL-825808-Sta. 4+670.dgn
 Plot Date: 6/29/2005