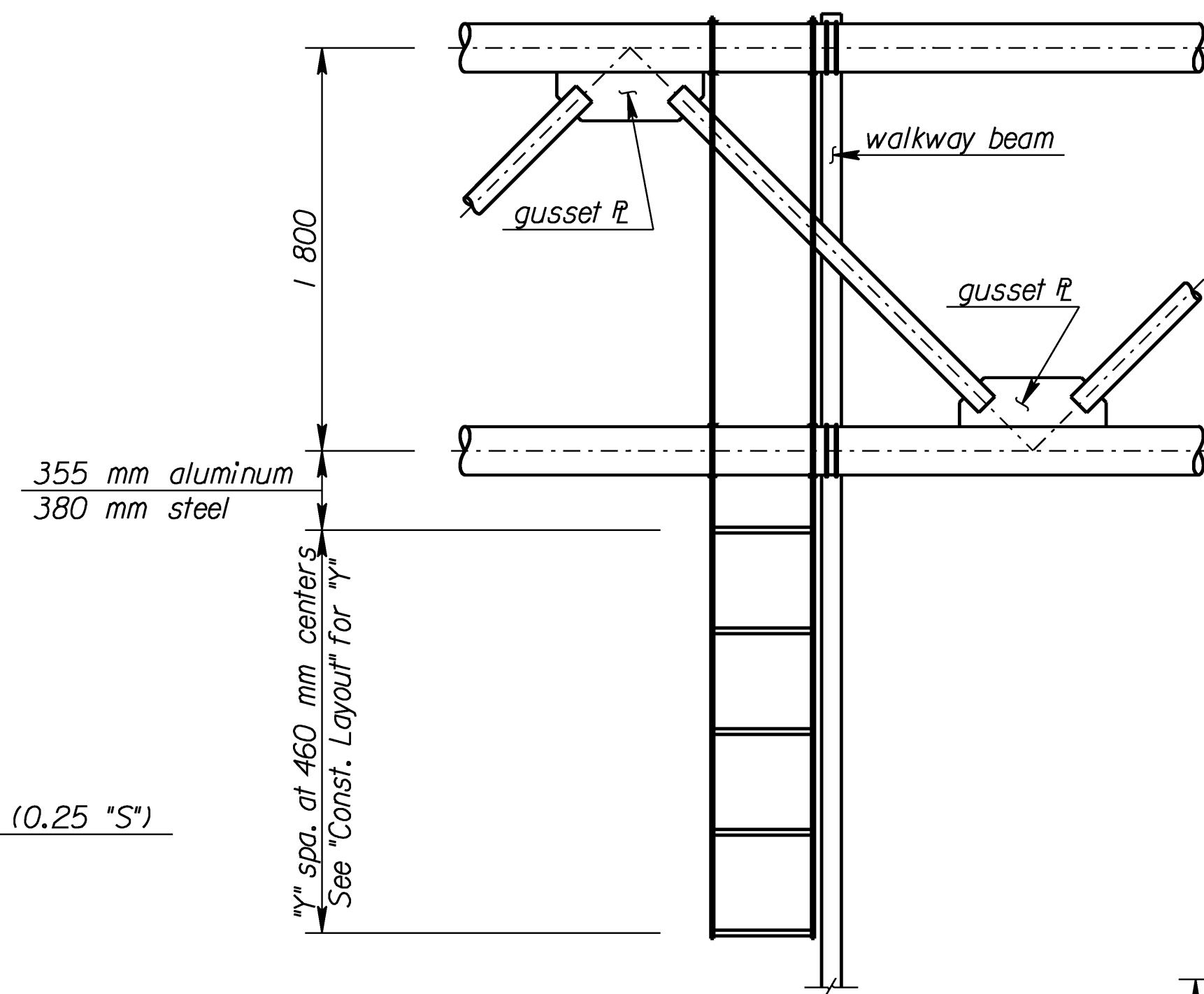
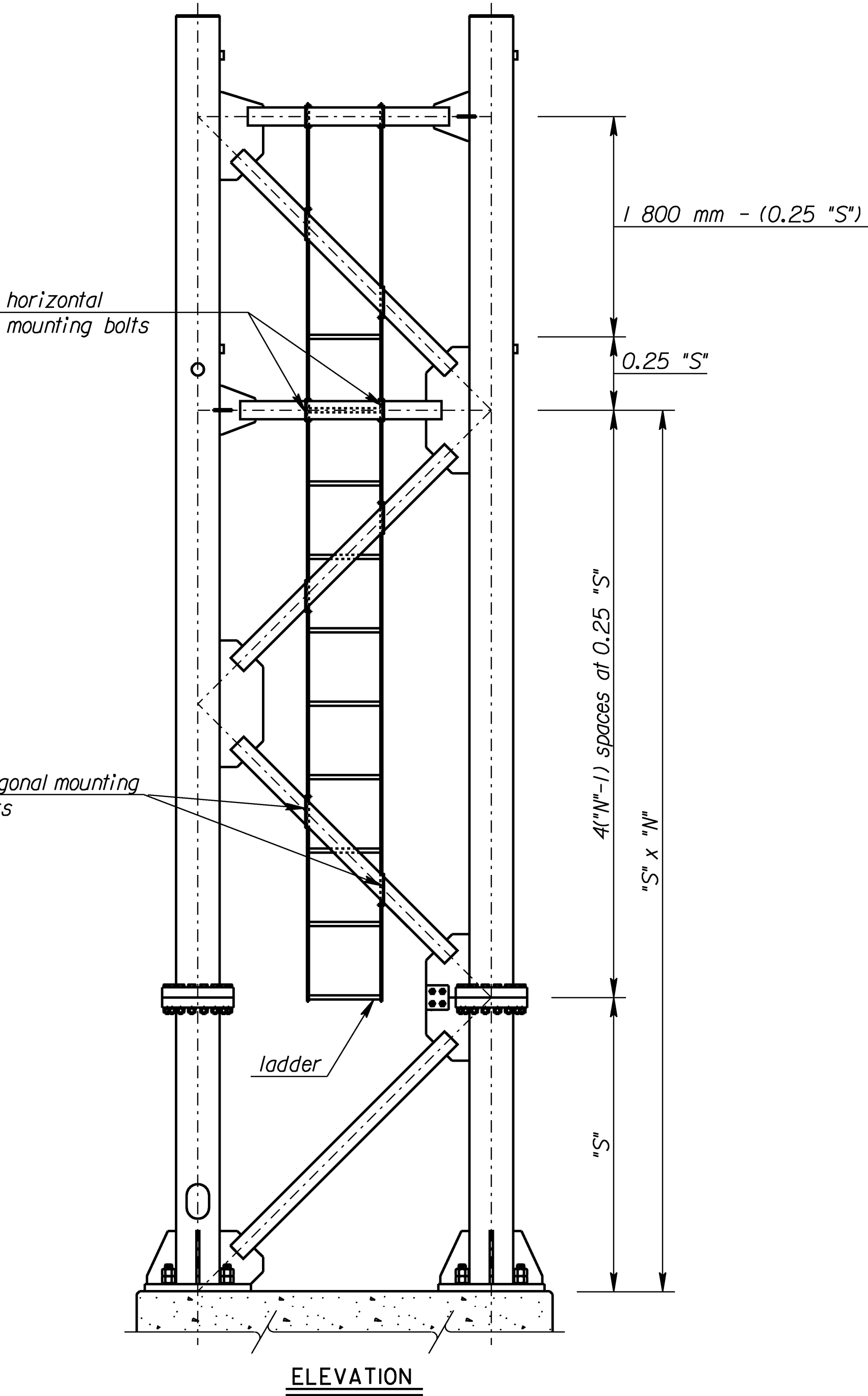
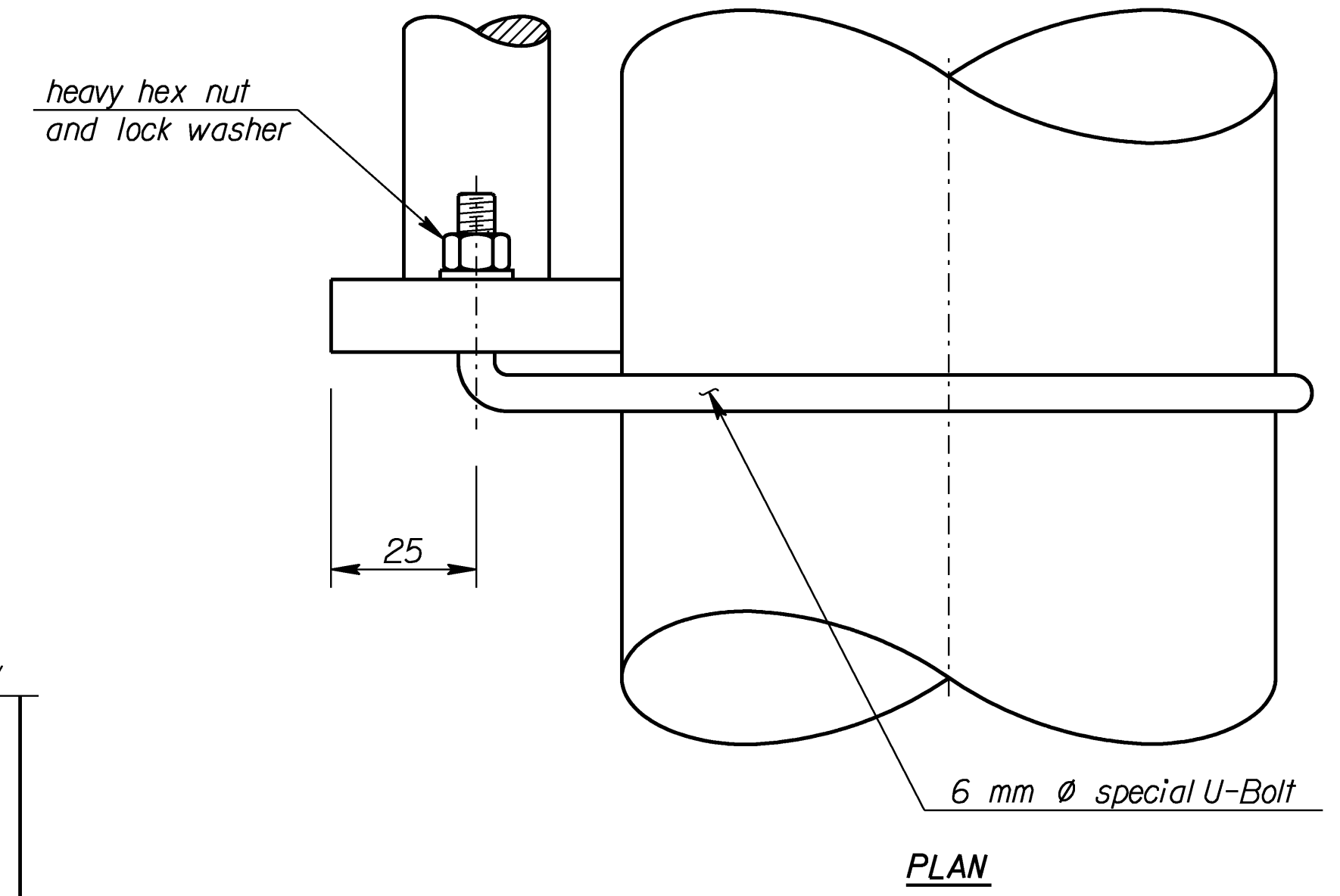


STATE	PROJECT NO.	YEAR	SHEET NO.	TOTAL SHEETS
KANSAS	54-87 K-8258-01	2005	175	223

DIMENSION "X"			
Location	Horizontal Connection	Diagonal Connection	Special Ladder Connection
Aluminum	125	190	225
Steel	100	150	175

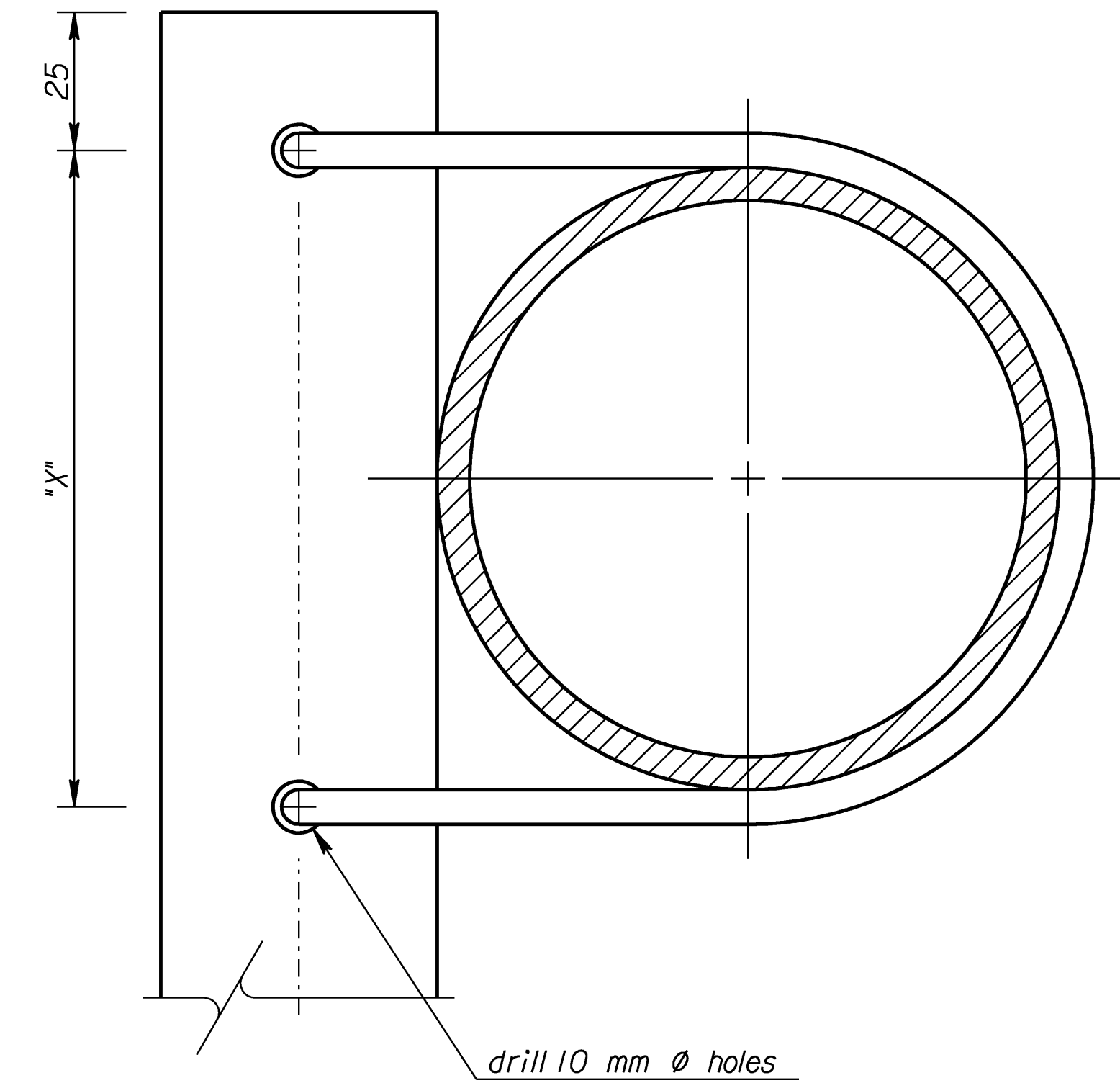
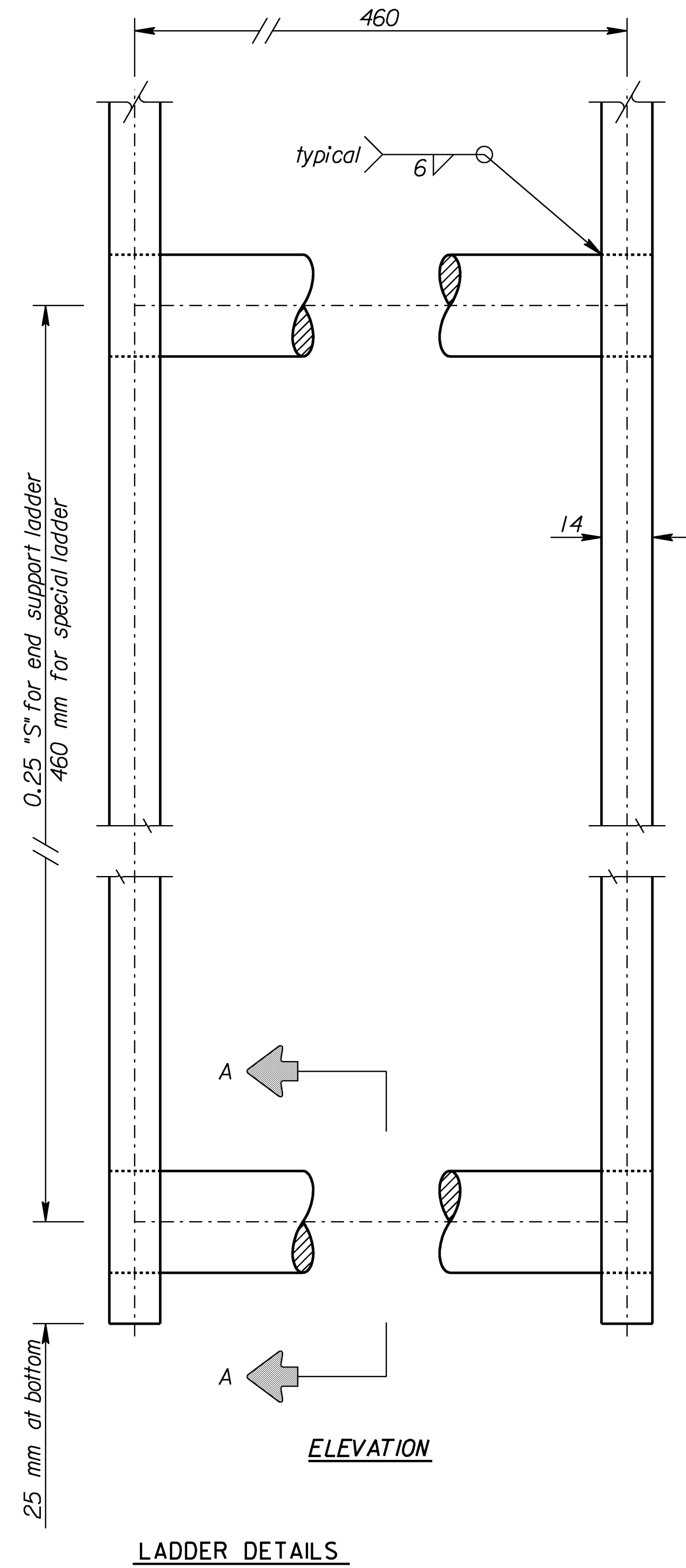
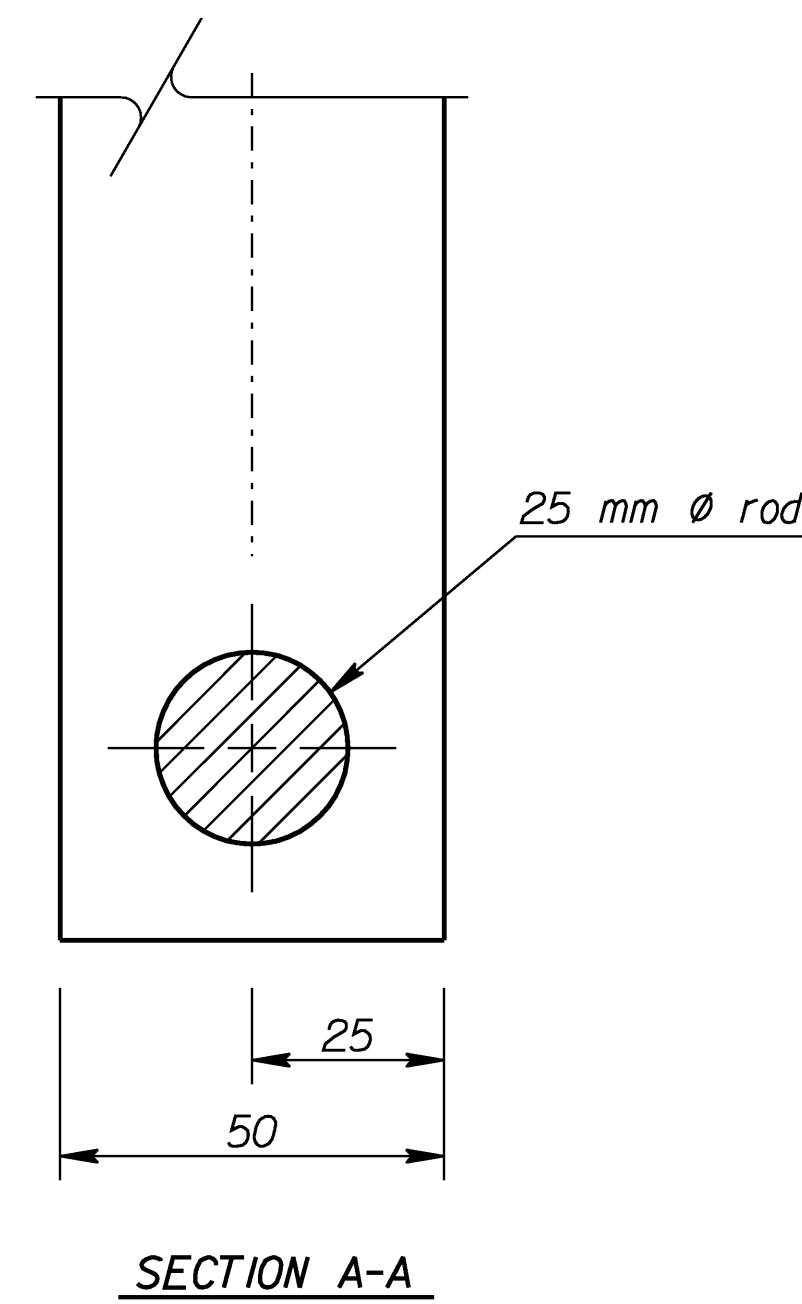


Note: Center the ladder approximately between the walkway beam and the adjacent gusset plate.



Note: Always mount ladder on outside of end support. See "Construction Layout" for end support(s) to be used and dimensions "S" and "N".

SPECIAL LADDER CONNECTION
(only front truss members shown)



SIDE ELEVATION MOUNTING DETAILS
(top shown, other connections similar)

NO.	DATE	REVISIONS	BY	APP'D
KANSAS DEPARTMENT OF TRANSPORTATION STANDARD STRUCTURAL SIGN SUPPORTS SPAN TYPE OVERHEAD LADDER DETAILS				
SL151A-04 SI			SEDGWICK CO.	
DESIGNED	DATE	4-10-97	APP'D	Kenneth F. Hurst
DESIGN CK.	DESIGNED	DESIGNED	DESIGNED	DESIGNED
DESIGNED	DESIGNED	DESIGNED	DESIGNED	DESIGNED

Std. Base File: sl151asi.dgn - Plot 4
 Plotted By: bond
 File: F:\Working\825801\SL Structures\SL-825801-151asi.dgn
 Plot Date: 6/29/2005