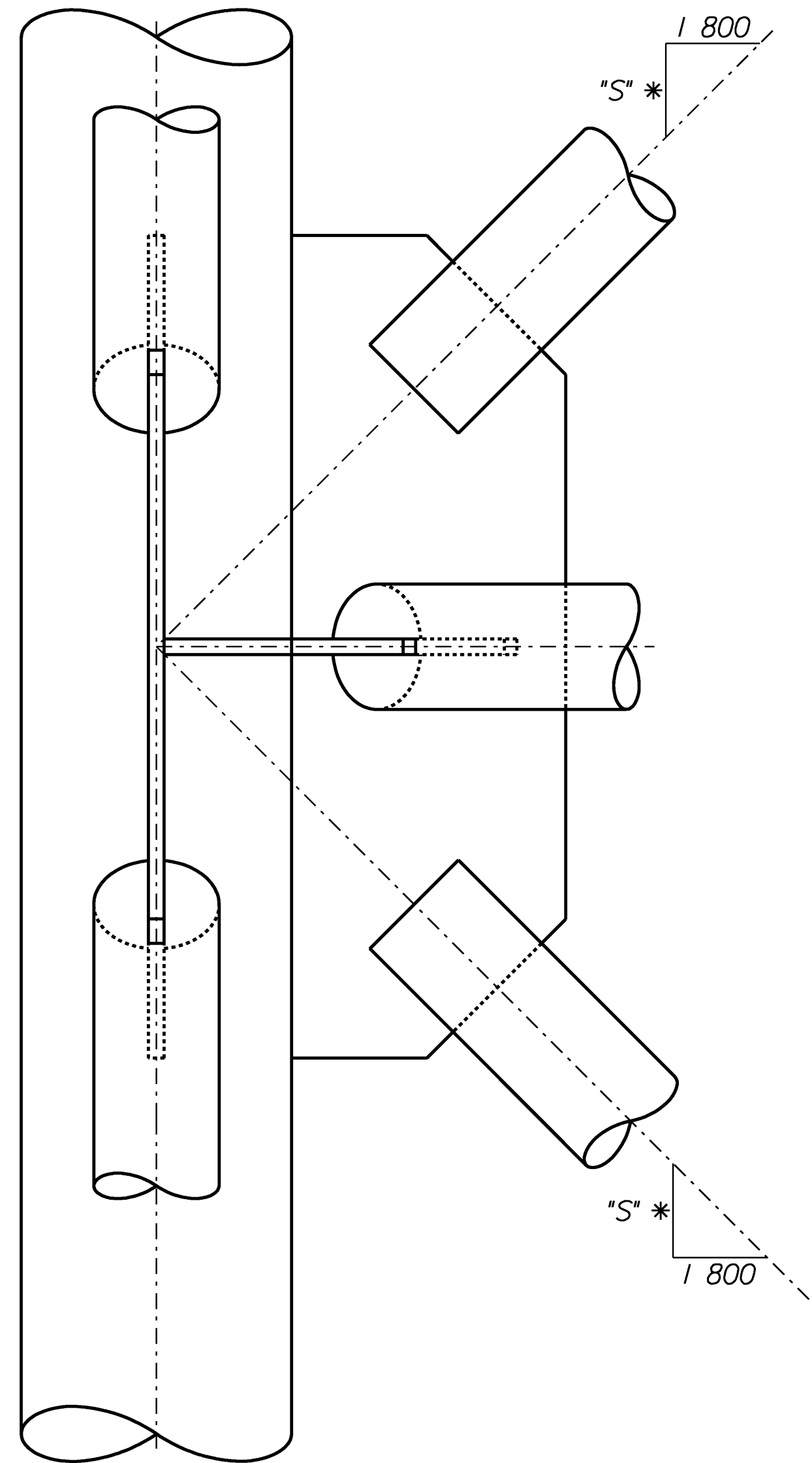
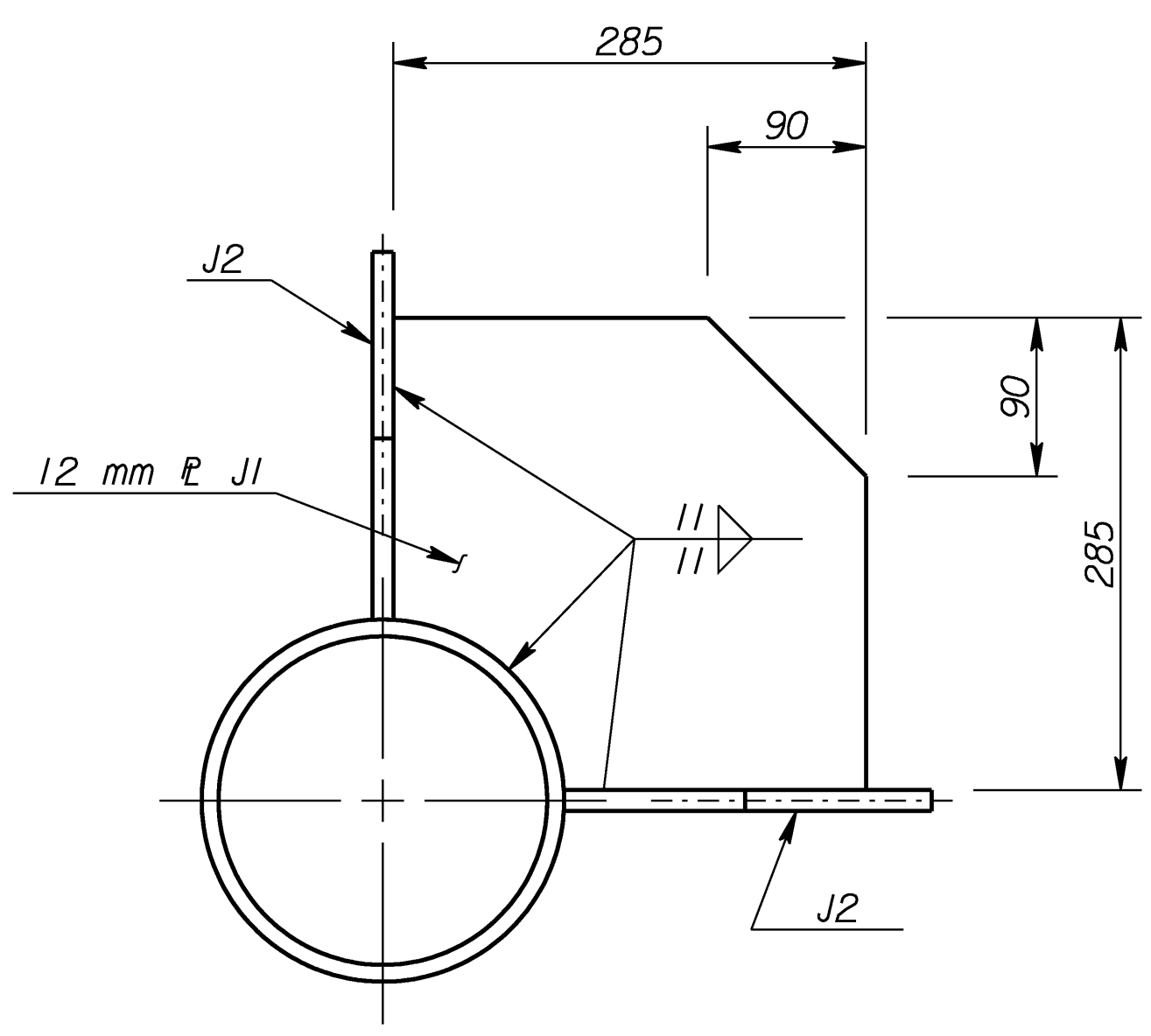


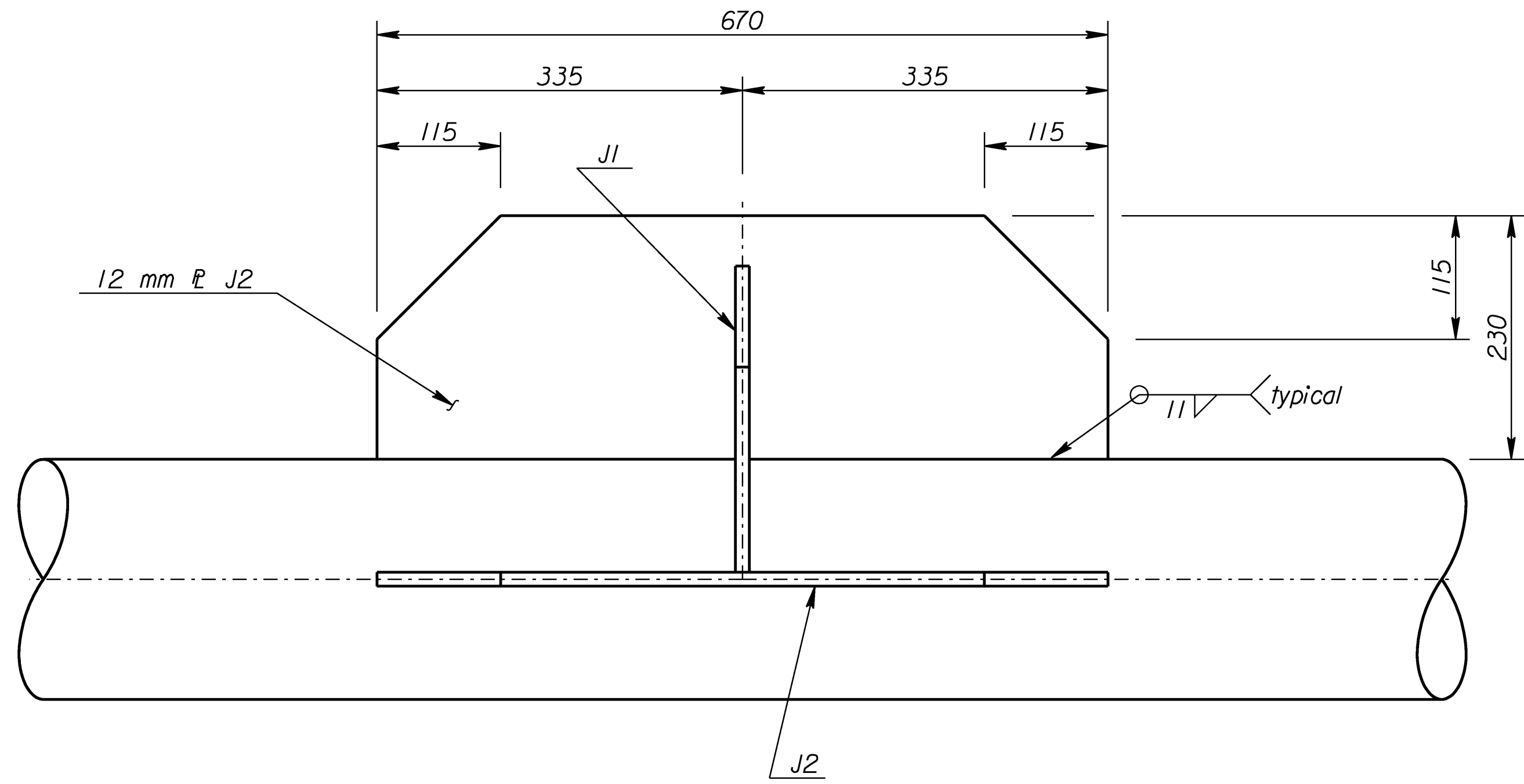
STATE	PROJECT NO.	YEAR	SHEET NO.	TOTAL SHEETS
KANSAS	54-87 K-8258-01	2005	180	223



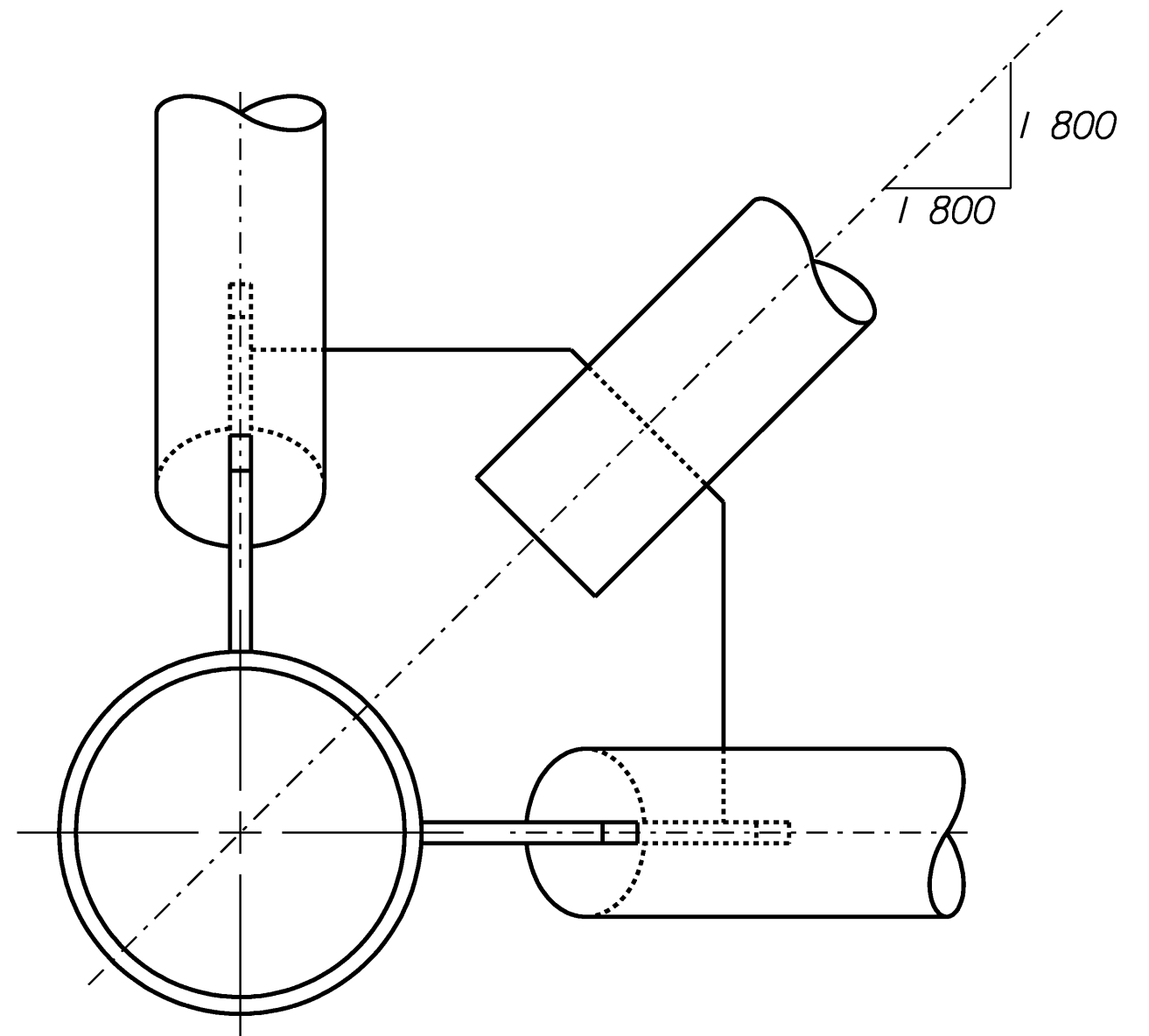
PLAN AT JOINT



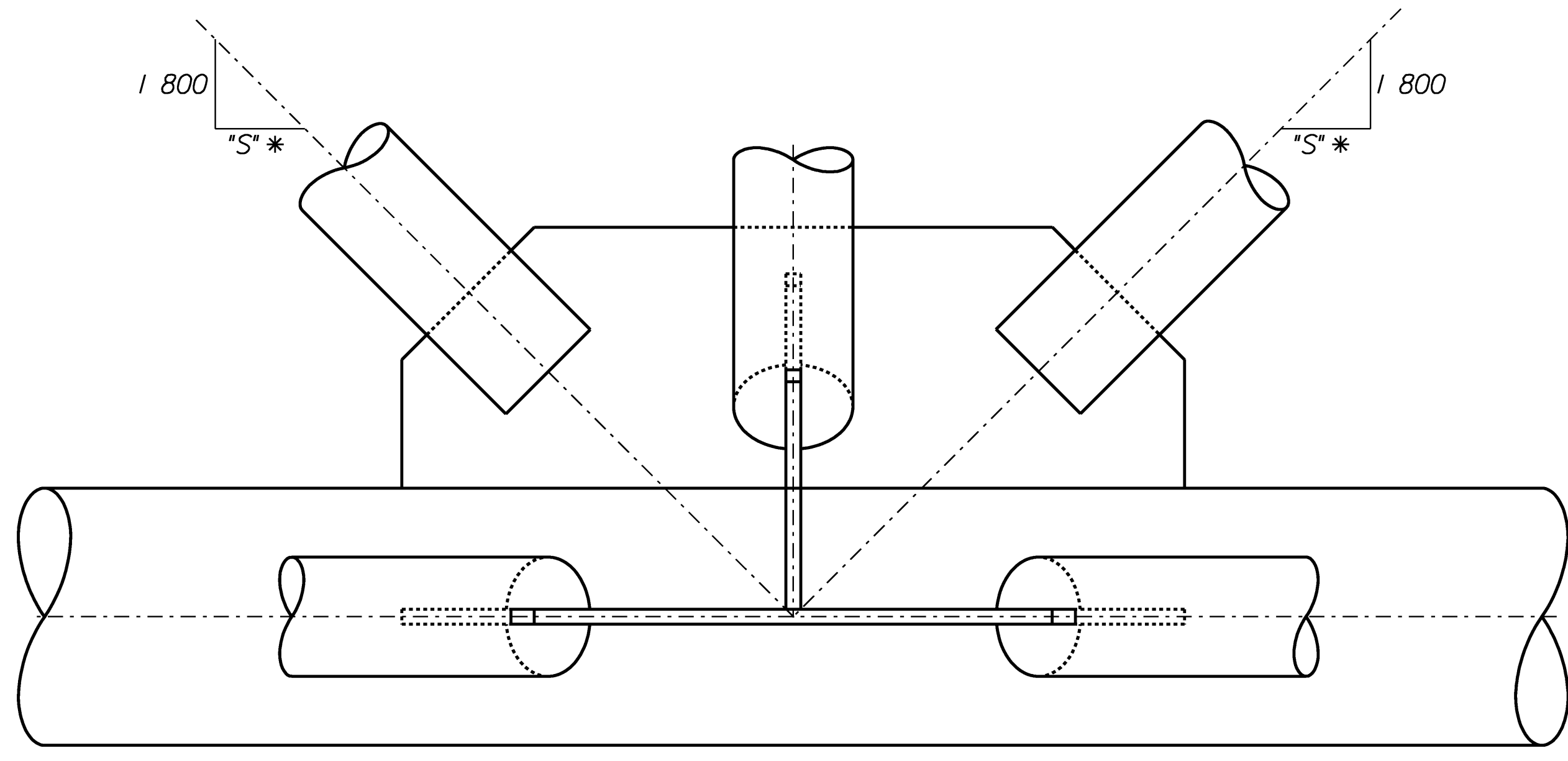
DETAILS R J1



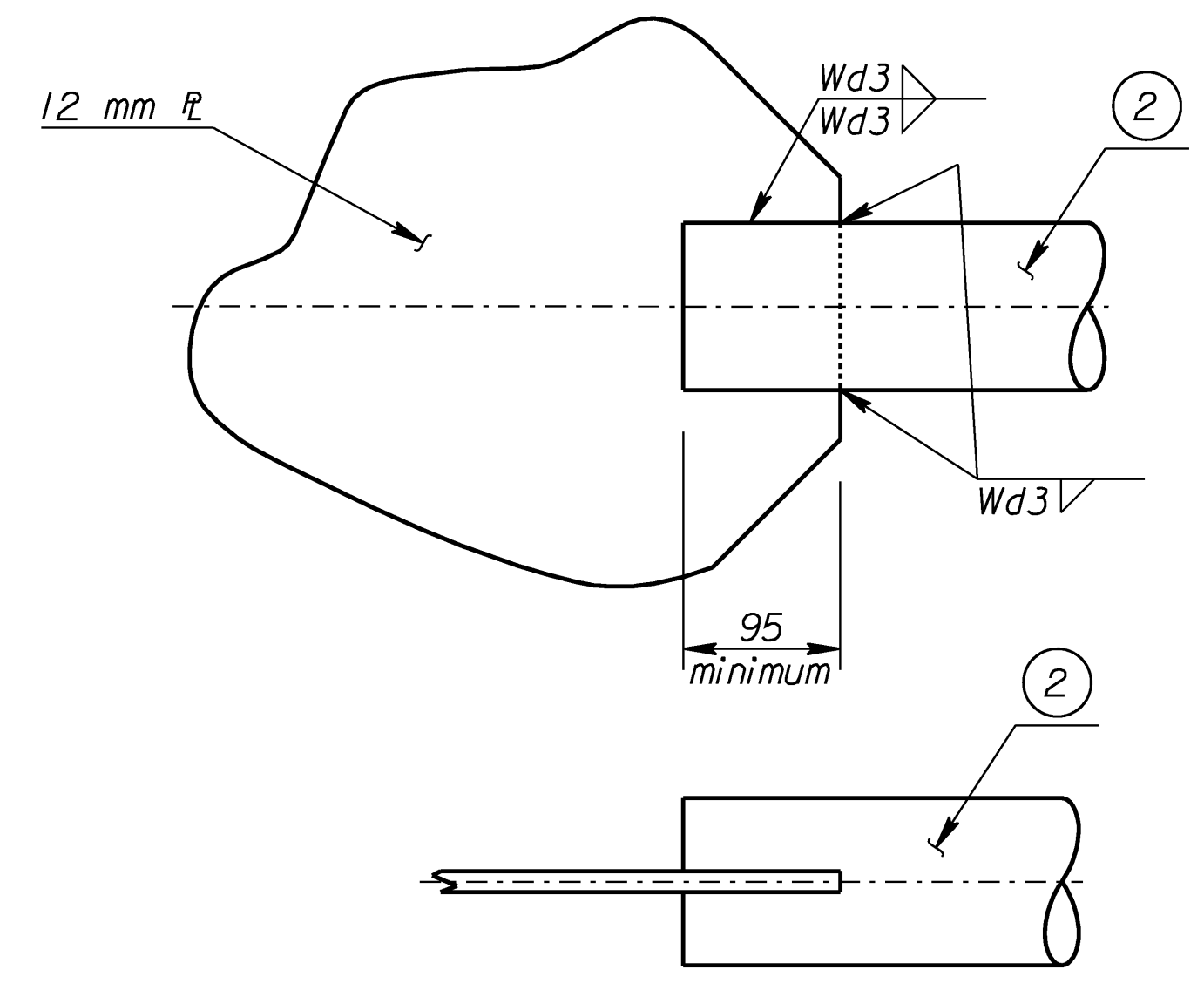
DETAILS R J2



SECTION NEAR JOINT



ELEVATION AT JOINT



TYPICAL WELDED JOINT

Member ② * wall thickness	Fillet Weld size Wd3
3.05	6
5.74	10
8.08	12

\* See "Construction Layout" for wall thickness and "S"

Std. Base File: sl151bsi.dgn - Plot 5  
 Plotted By: bond Plot Location: Bridge  
 File: F:\Working\825801\SL Structures\SL-825801-151bsi.dgn  
 Plot Date: 6/29/2005

NO.	DATE	REVISIONS	BY	APP'D
<b>KANSAS DEPARTMENT OF TRANSPORTATION</b> STANDARD STRUCTURAL SIGN SUPPORTS SPAN TYPE OVERHEAD ALUMINUM ALTERNATE TRUSS JOINT DETAILS SL151B-05 SI SEDGWICK CO.				
DESIGNED	BFM	DETAILED	DDP	QUANTITIES
DESIGN CK.	RDH	DETAIL CK.	RDH	QUAN. CK.