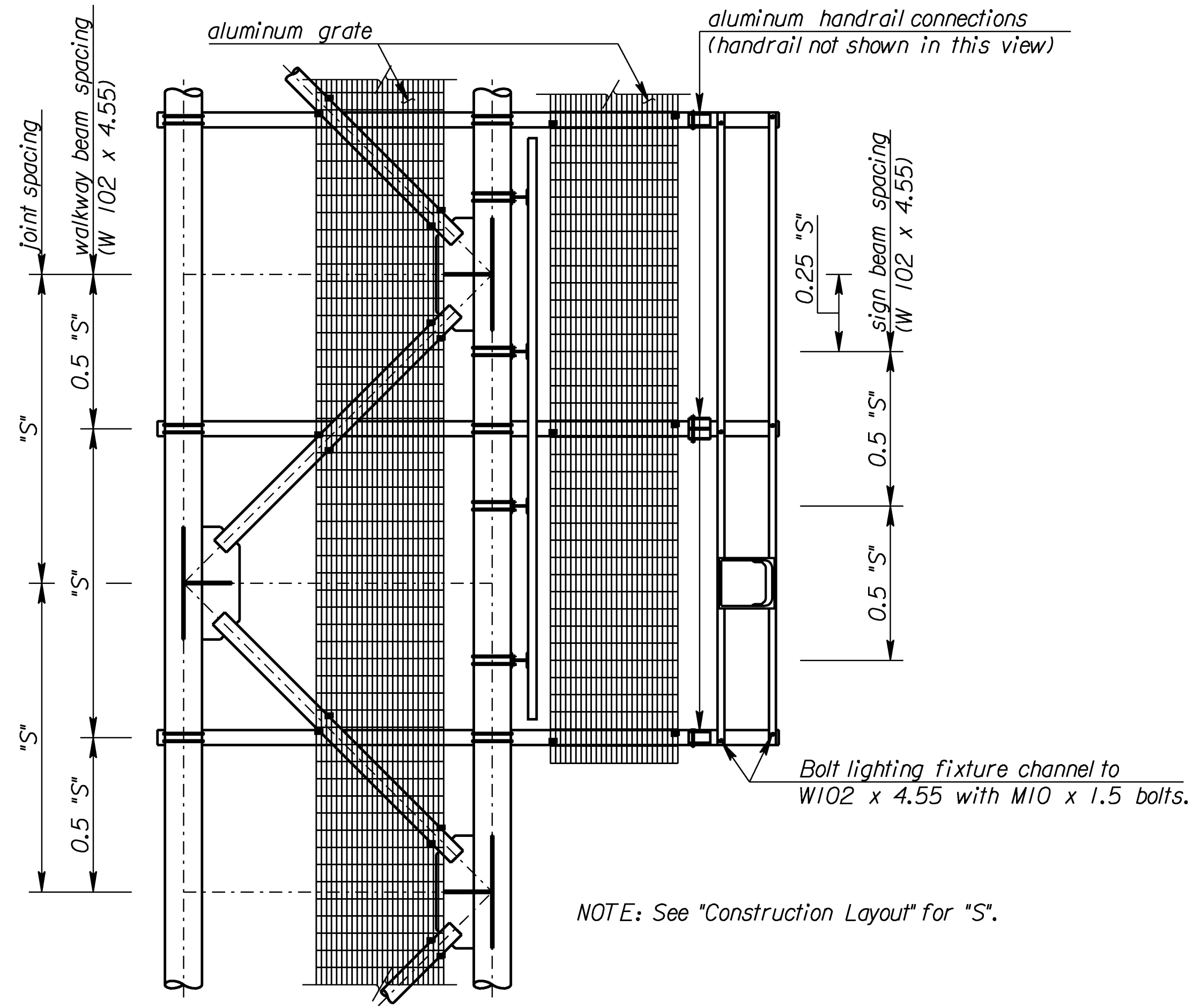


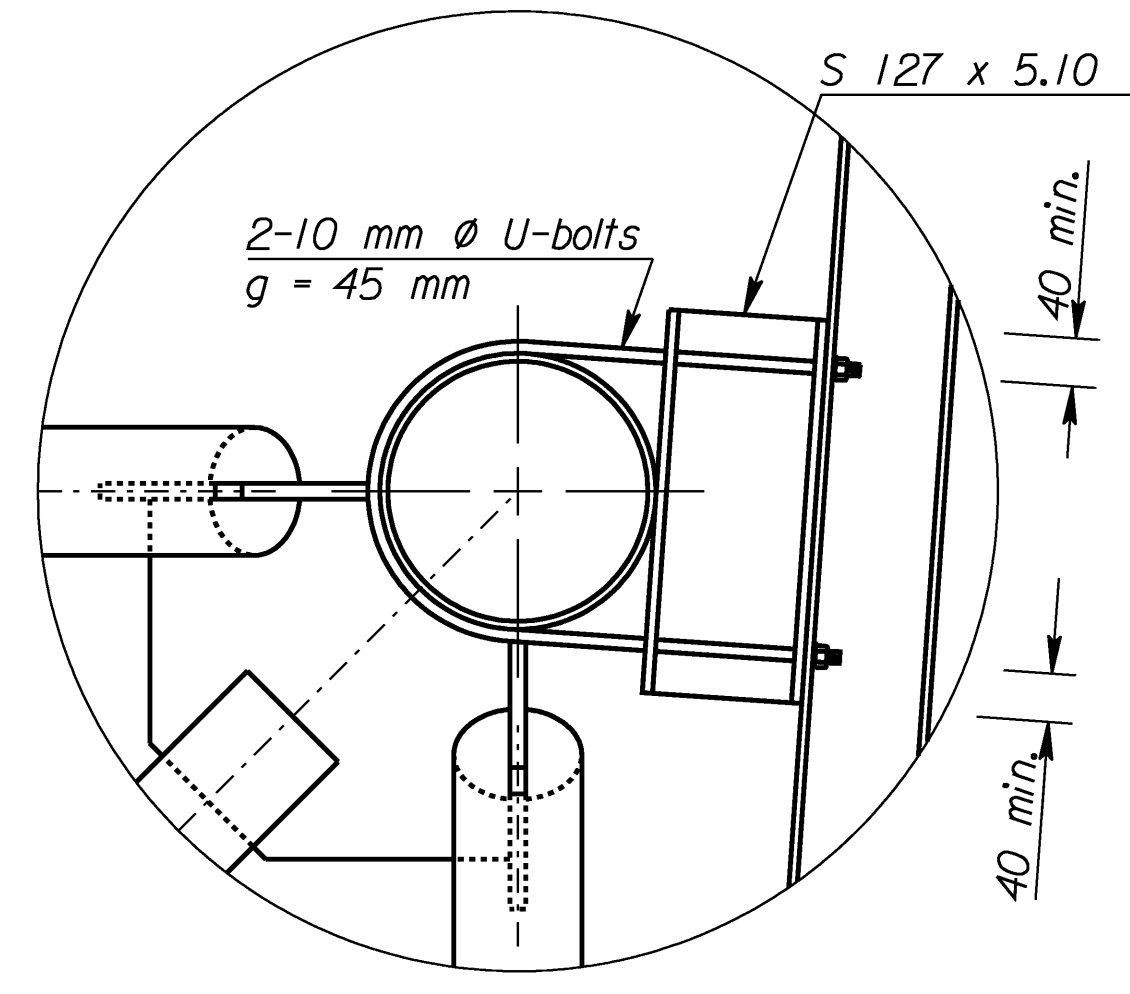
STATE	PROJECT NO.	YEAR	SHEET NO.	TOTAL SHEETS
KANSAS	54-87 K-8258-01	2005	183	223



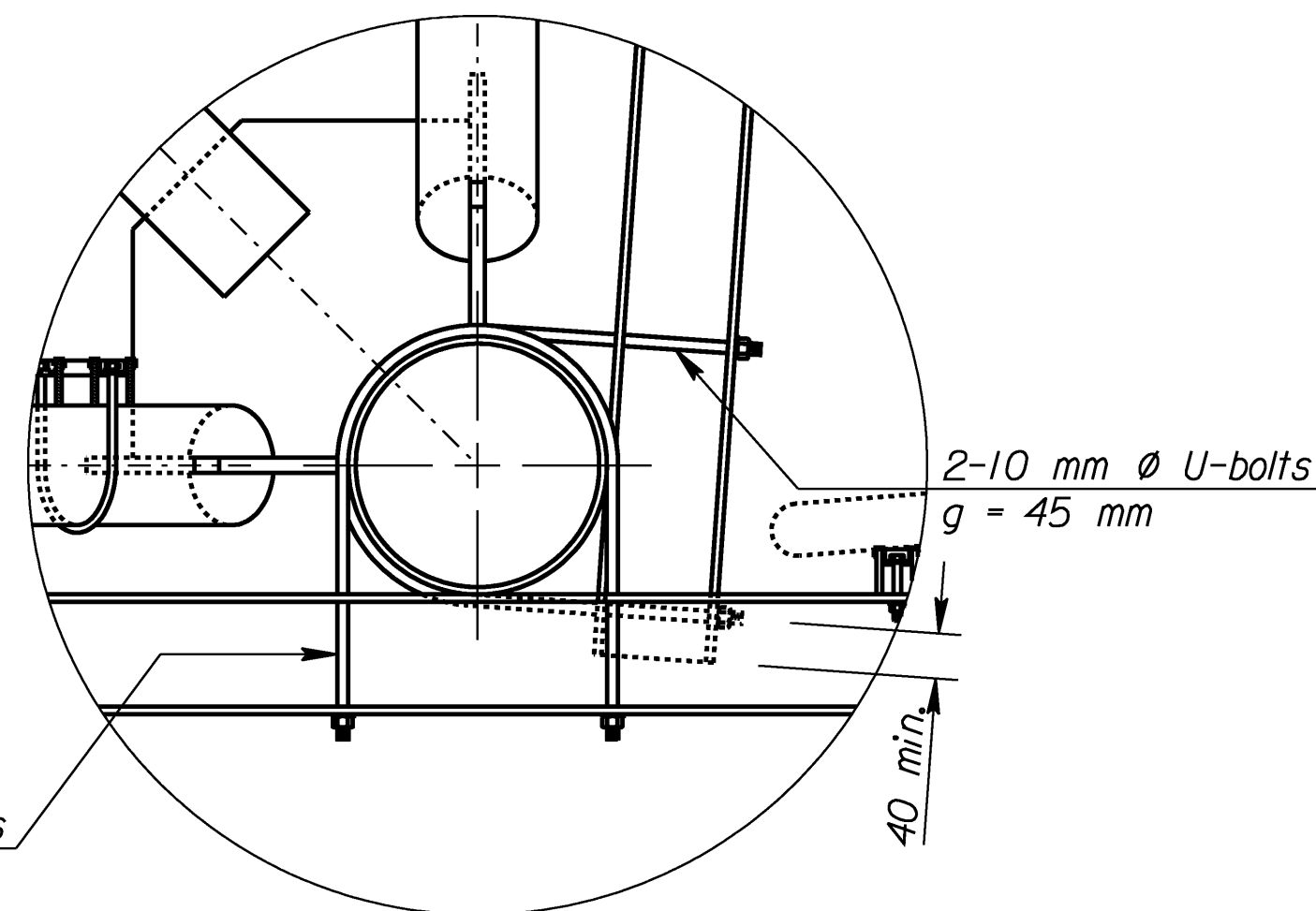
NOTE: See "Construction Layout" for "S".

**PLAN**

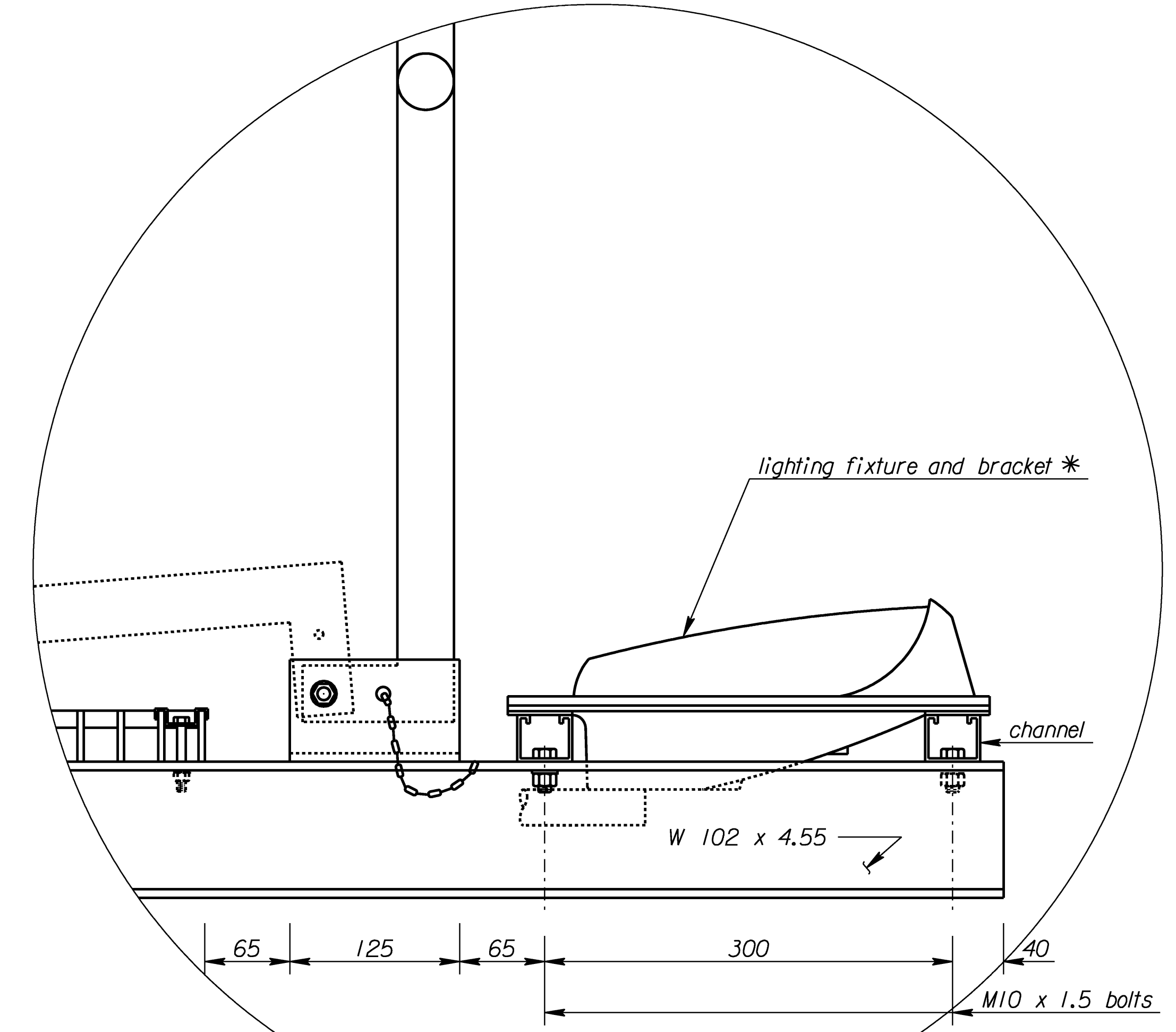
(Only lower truss members shown)



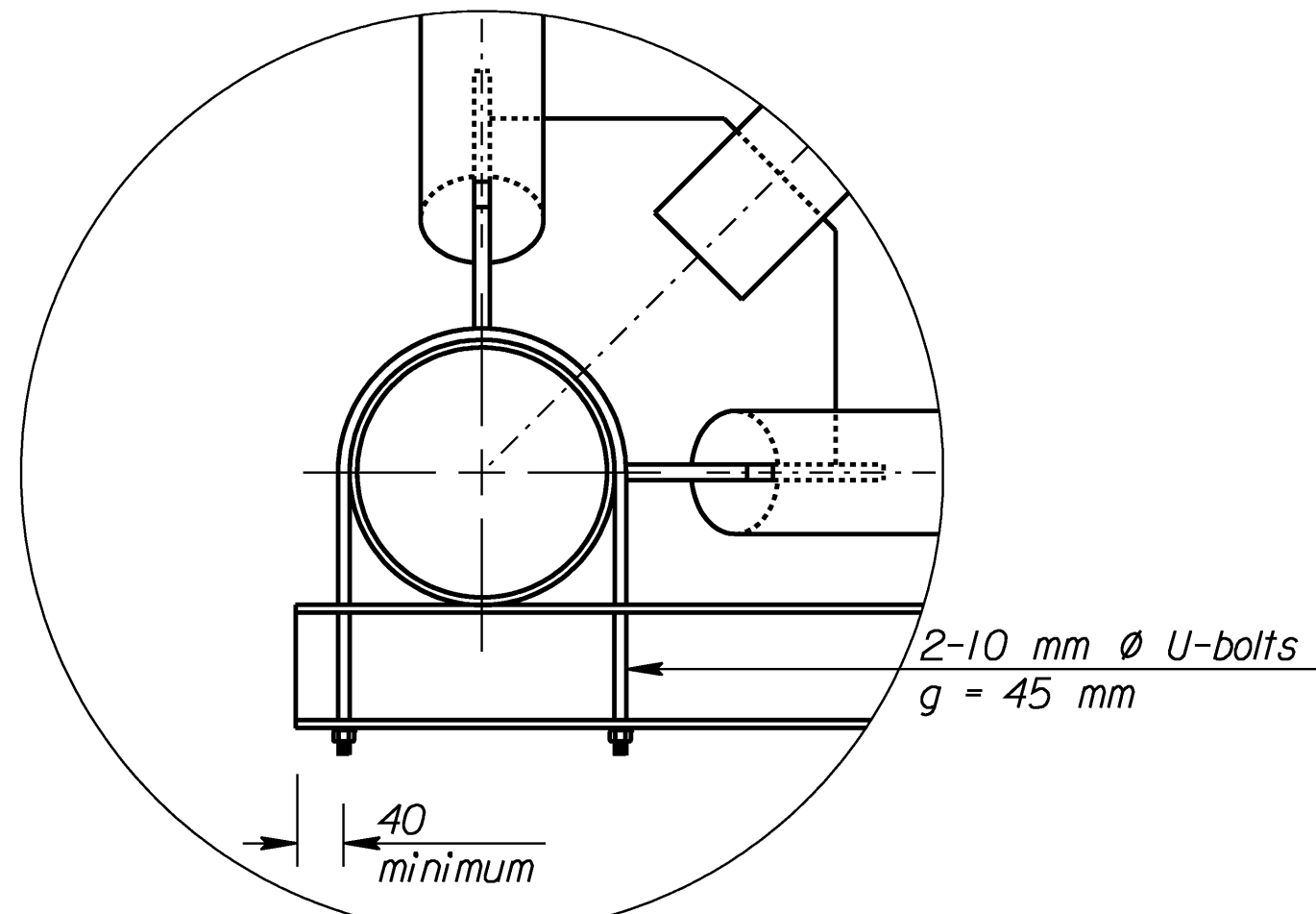
**Detail A**



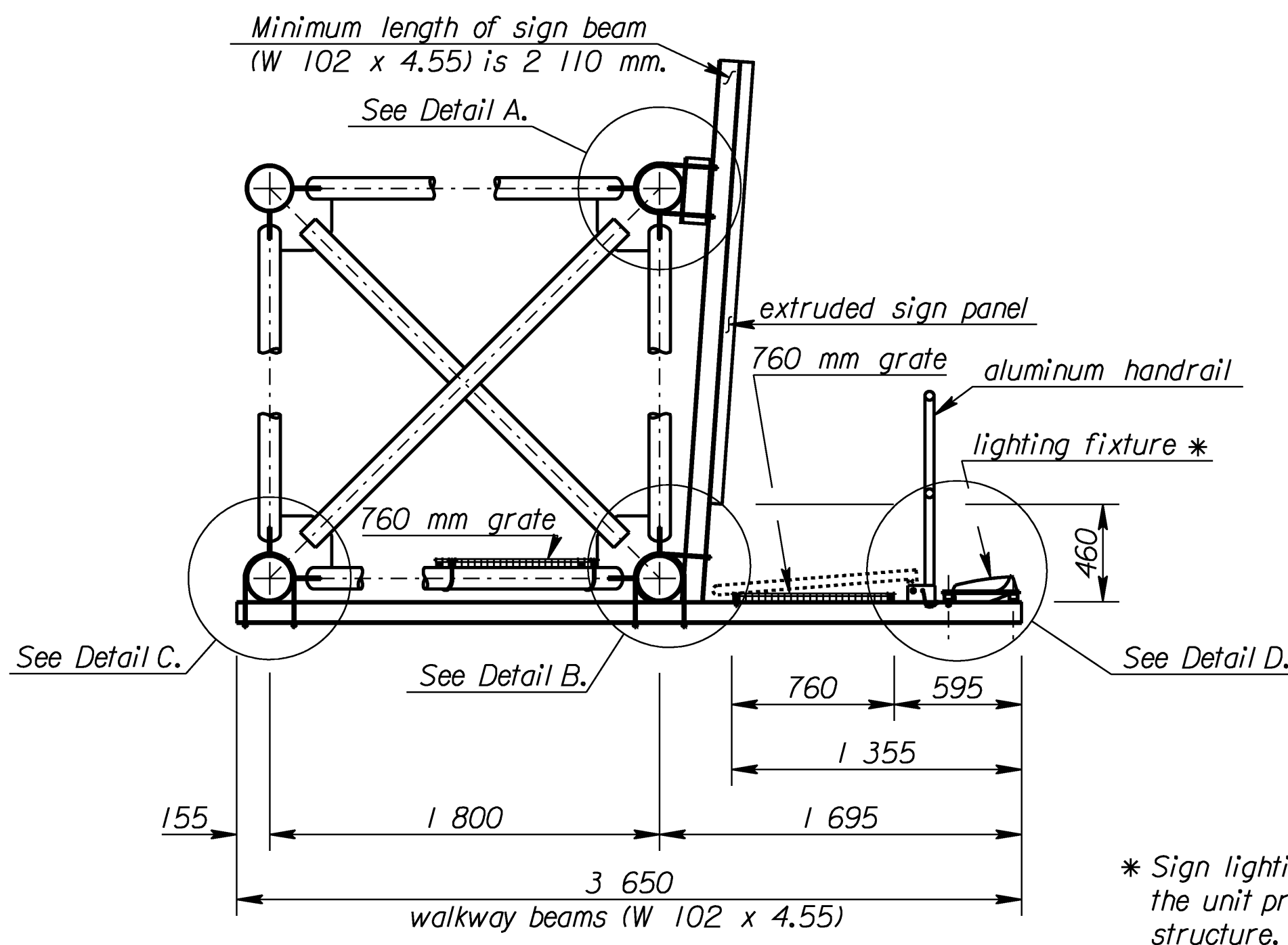
**Detail B**



**Detail D**



**Detail C**



**ELEVATION**

\* Sign lighting is not included in the unit price bid for each structure.

Std. Base File: sl15bsi.dgn - Plot 8  
 Plotted By: bond  
 File: F:\Working\82580\NSL\_Structures\SL-825801-15bsi.dgn  
 Plot Date: 6/29/2005

NO.	DATE	REVISIONS	BY	APP'D
<b>KANSAS DEPARTMENT OF TRANSPORTATION</b> <b>STANDARD STRUCTURAL SIGN SUPPORTS</b> <b>SPAN TYPE OVERHEAD</b> <b>ALUMINUM ALTERNATE</b> <b>SIGN MOUNTING AND WALKWAY DETAILS</b> <b>SL15IB-08 SI</b>				
FHWA APPROVAL		4-10-97	APP'D	Kenneth F. Hurst
DESIGNED	BFM	DETAILED	JD/RH	QUANTITIES
DESIGN CK.	KFH	DETAIL CK.	KFH	QUAN. CK.
				CADD
				LES