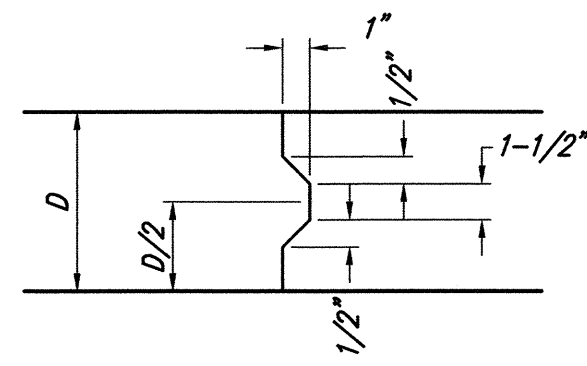
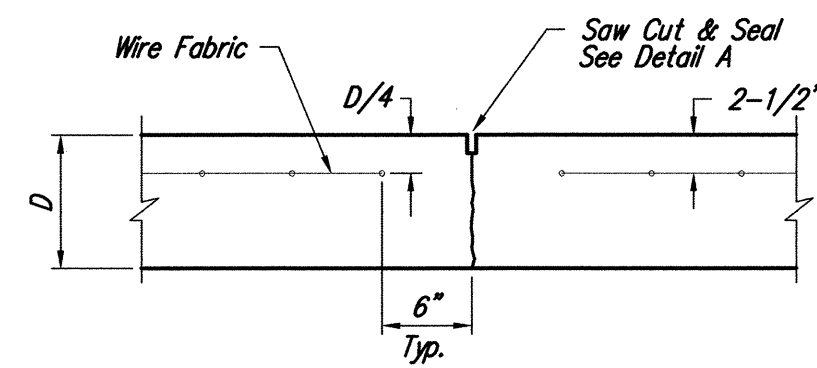


**EXPANSION JOINT**

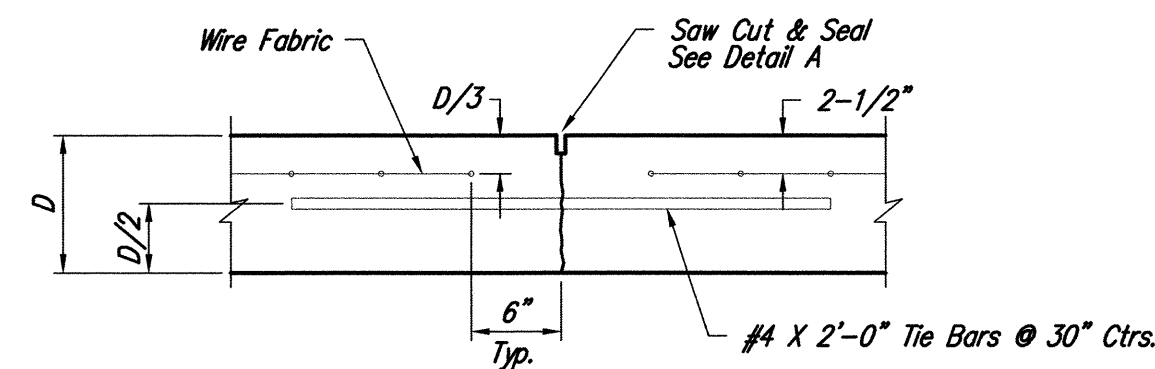
NOTE: Extra Thickness to be Subsidiary to Price of Square Yards Pavement.



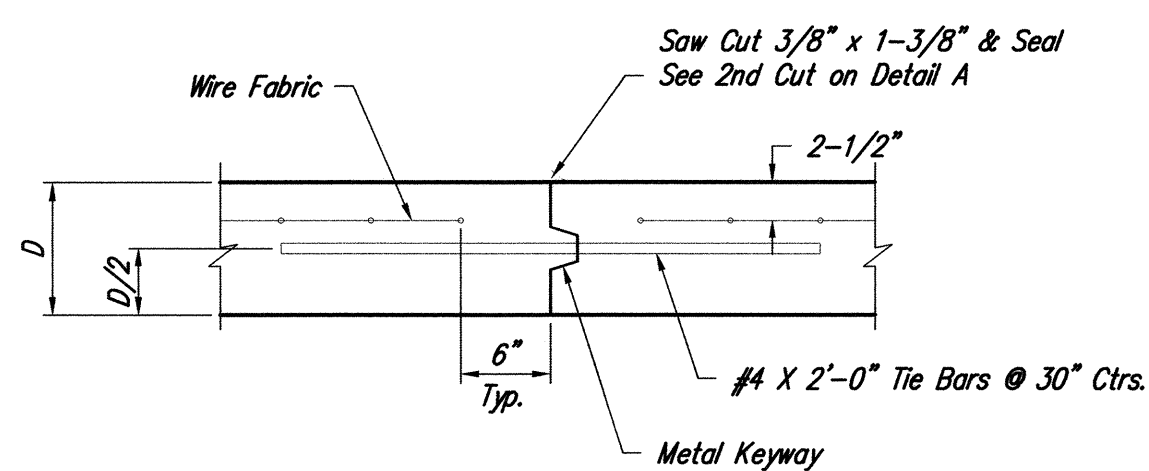
**KEYWAY DETAIL**



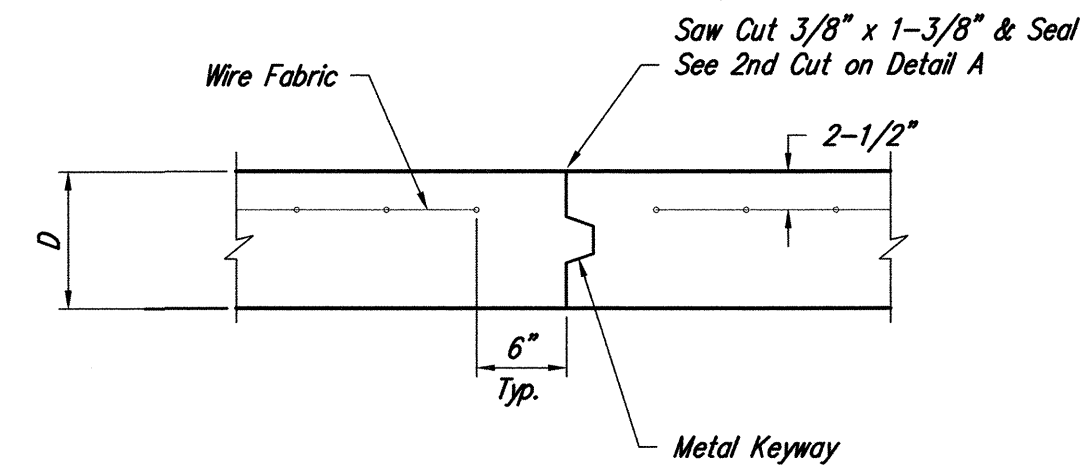
**CONTRACTION JOINT DETAIL (C.J.)**



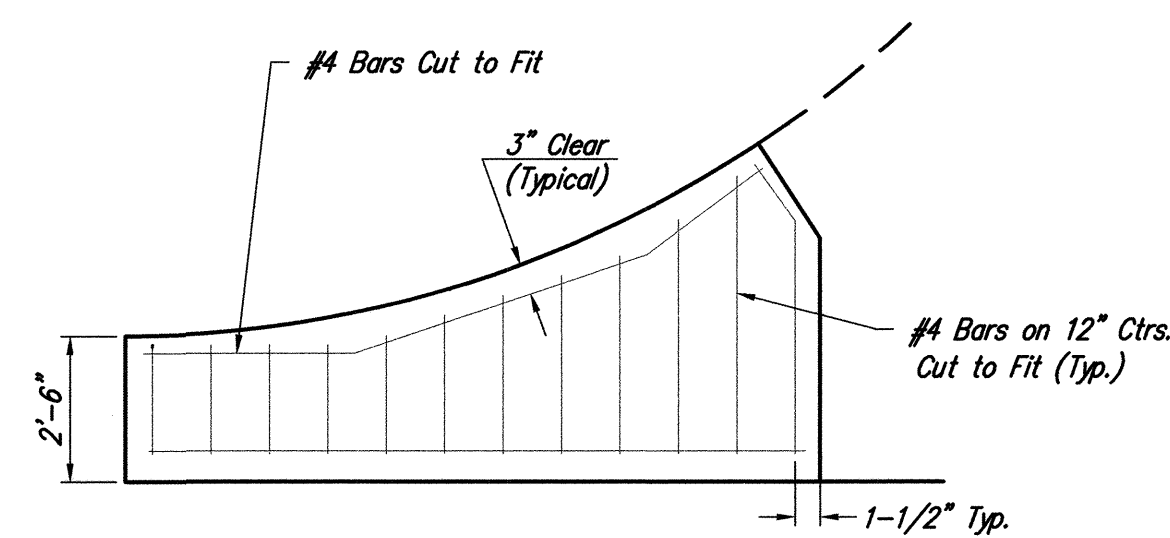
**LONGITUDINAL JOINT DETAIL (L.J.)**



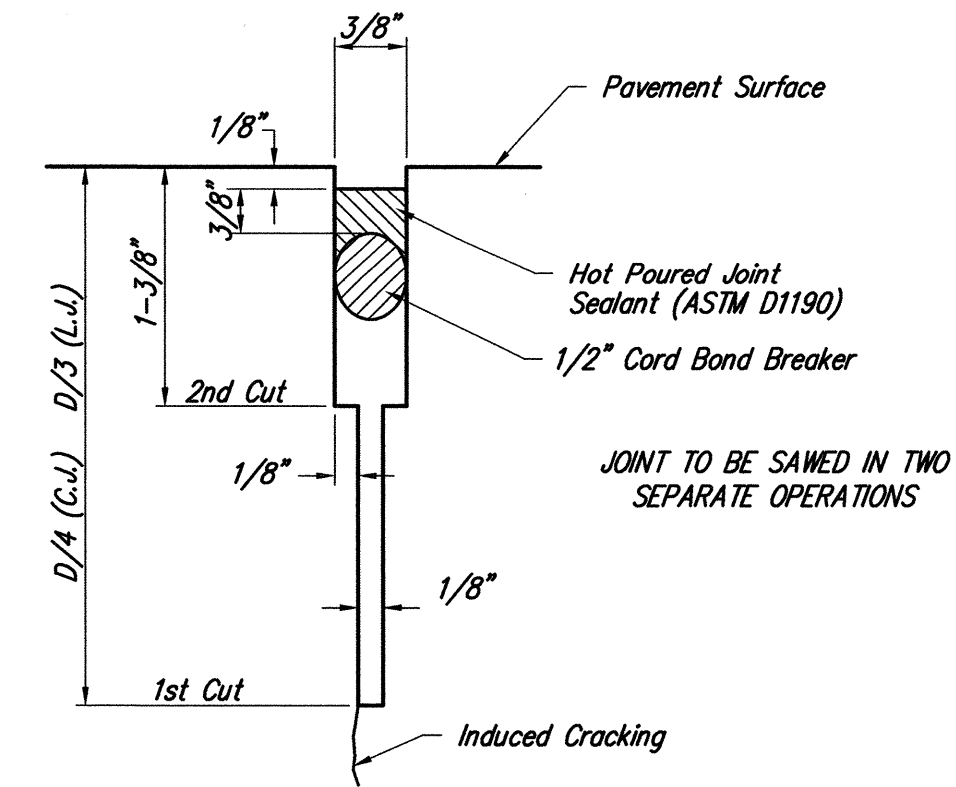
**OPTIONAL LONGITUDINAL JOINT DETAIL (L.J.)**



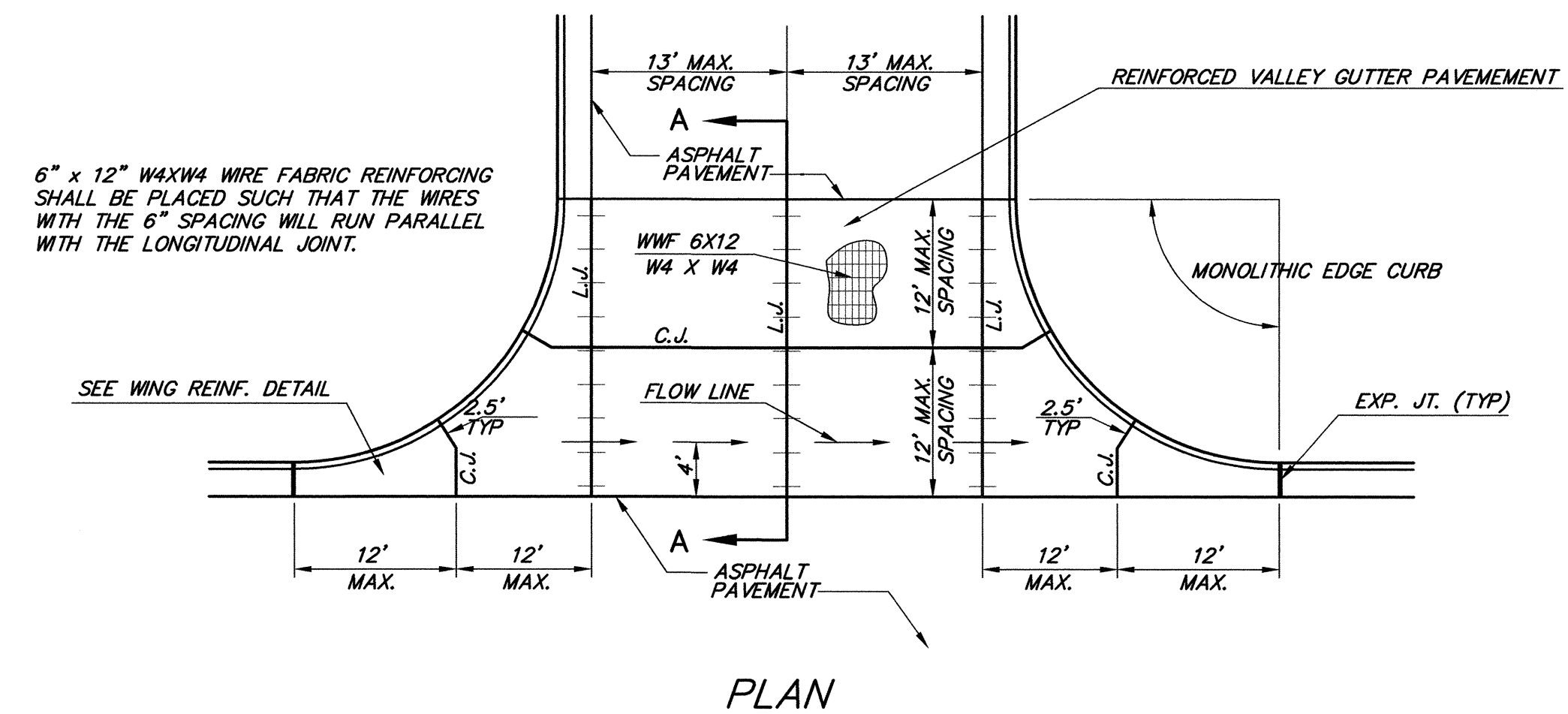
**OPTIONAL CONTRACTION JOINT**



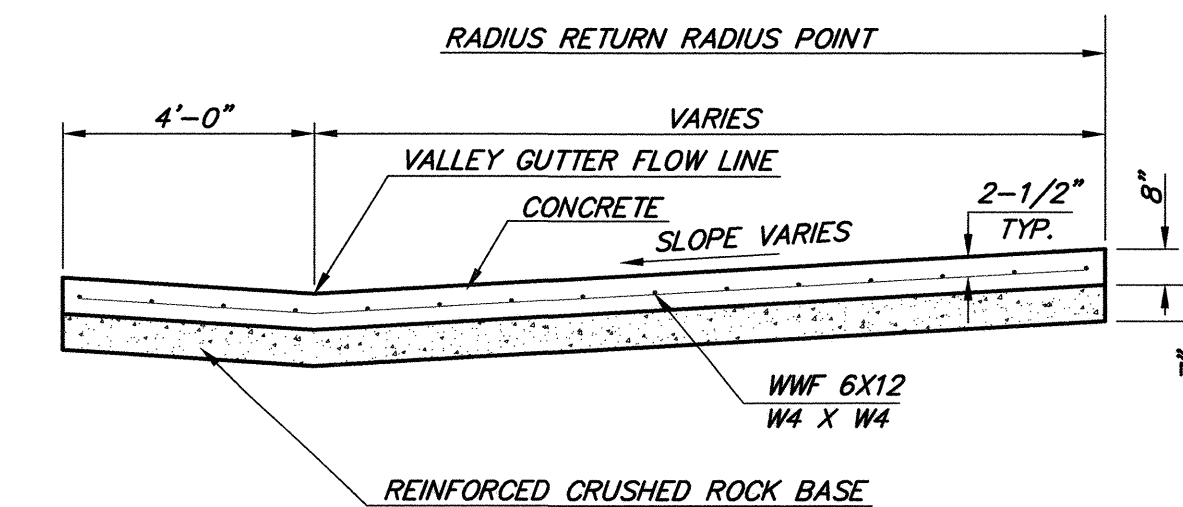
**WING REINFORCING DETAIL**



**SAW JOINT DETAIL**



**PLAN**



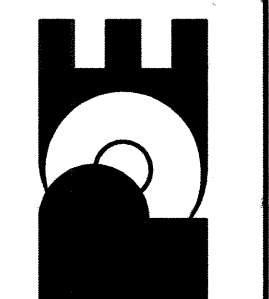
**SECTION A-A**

**REINFORCED VALLEY GUTTER DETAIL**

No.	Date	By	Approved	Revision

PAWNEE AVENUE  
119TH TO MAIZE ROAD  
**CITY OF WICHITA, KANSAS**  
VALLEY GUTTER DETAILS

**POE & ASSOCIATES, INC.**  
CONSULTING ENGINEERS  
5940 E. Central, Suite 200  
Wichita, KS 67208-4242  
Phone 316/685-4114 FAX 316/685-4444



**FINAL**  
Engineer: P. FERGUSON  
Designer: J. UNRUH  
Pos. Job No.: 1793  
Date: JULY 2005