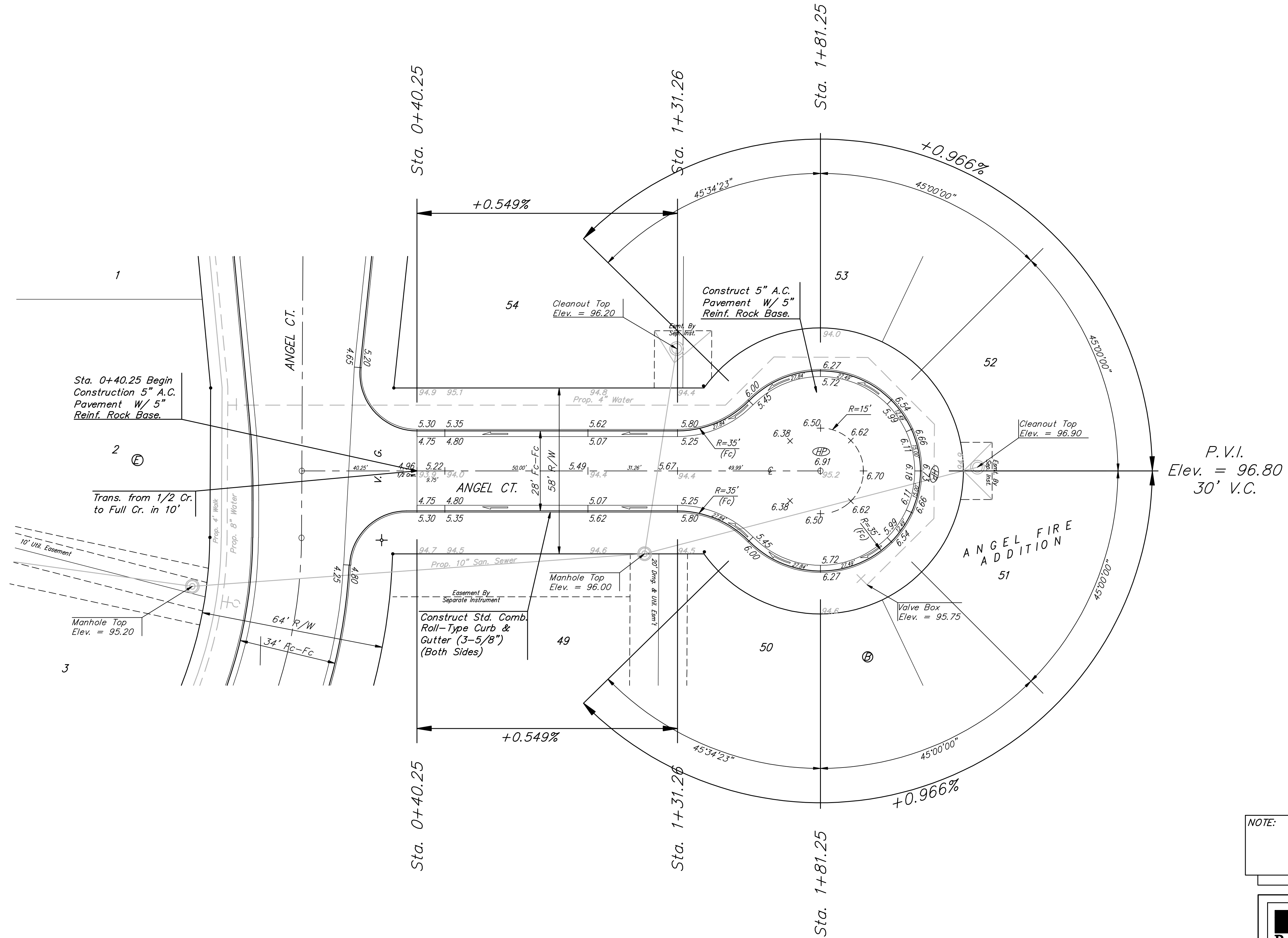
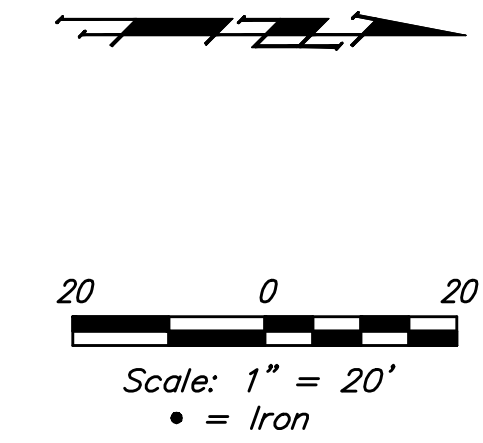


BENCHMARKS:
 C.O.W. Disc SE Corner West St. & 47th S.
 Elev. = 92.29 (City Datum)
 RR Spike in N. face of power pole, SE Corner
 47th So. & Kessler
 Elev. = 91.74 (City Datum)
 "□" Cut in Top of Curb Adjacent to the NW
 Corner Lot 27, Block C.
 Elev. = 93.57 (City Datum)



NOTE: ROLL TYPE CURB & GUTTER TO BE CONSTRUCTED ON THE PAVEMENT SHOWN ON THIS SHEET. TOP OF CURB ELEVATIONS ARE GIVEN FOR FULL HEIGHT CURB.

	ANGEL FIRE ADDITION PH. 2 ANGEL CT. STREET/SWS IMPROVEMENTS	
	<small>Baughman Company, P.A., 315 Hill St., Walnut, NJ 07111 P316480771 F316480719 ENGINEERING SURVEYING PLANNING LANDSCAPE ARCHITECTURE</small>	
PROJECT NUMBER 472-84886	DESIGN AEG	DRAWN TNT
REVISIONS	APPROVED AEG	DATE 05/12/2010
SCALE NOTED		SHEET 16 OF 46
<small>E:\Projects\Angel Fire Ph. 2\STR</small>		<small>1002-B456</small>