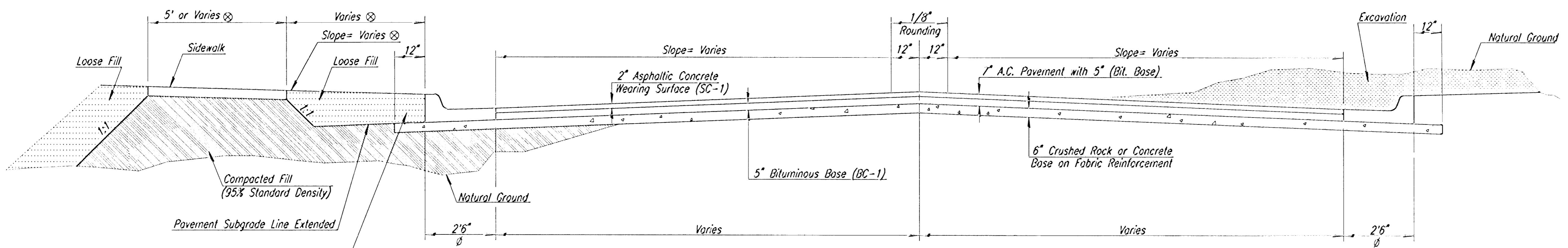
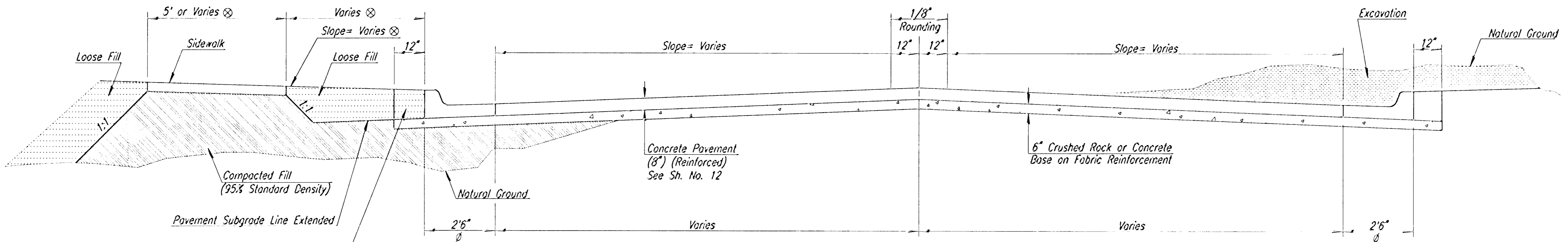


DATE	
BY	



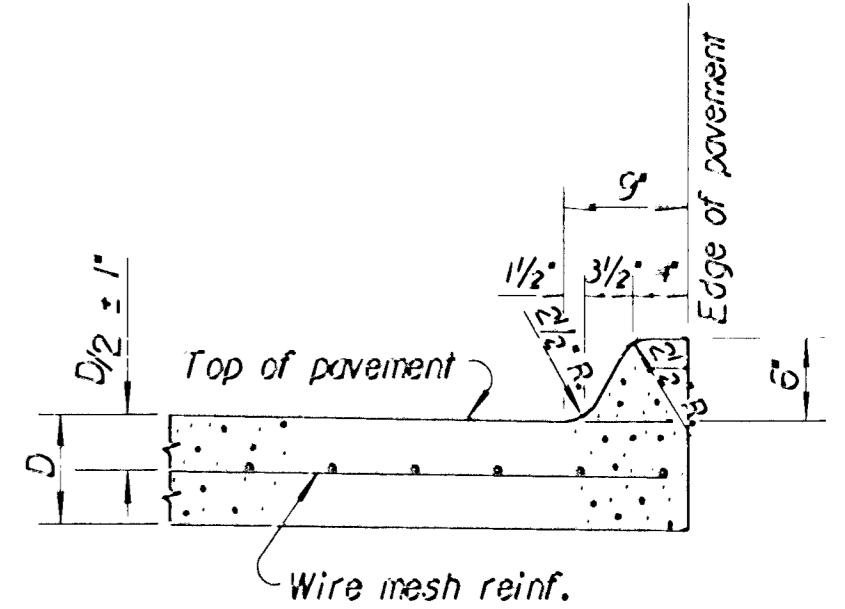
TYPICAL SECTION  
1' Asphaltic Concrete Pavement  
(5' Bituminous Base)

Backfill behind curb is not included in earthwork quantities and shall be Subsidiary to other Earthwork items. (Typ.)

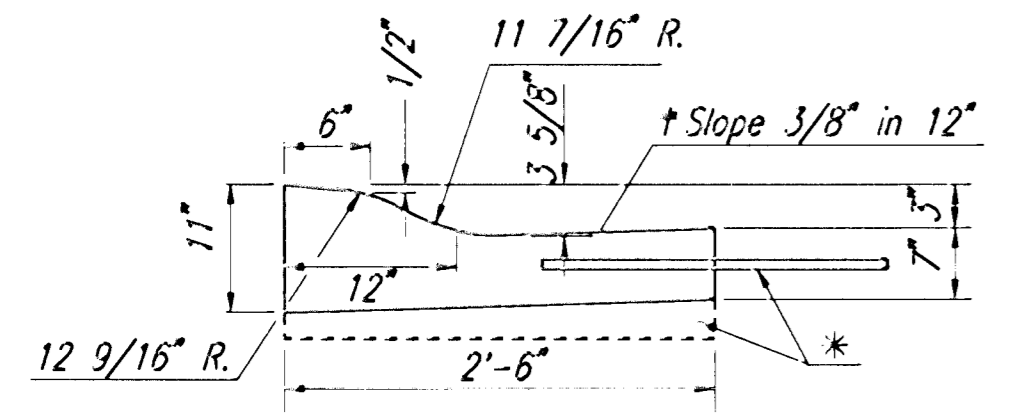


TYPICAL SECTION  
Concrete Pavement  
(8\"/>

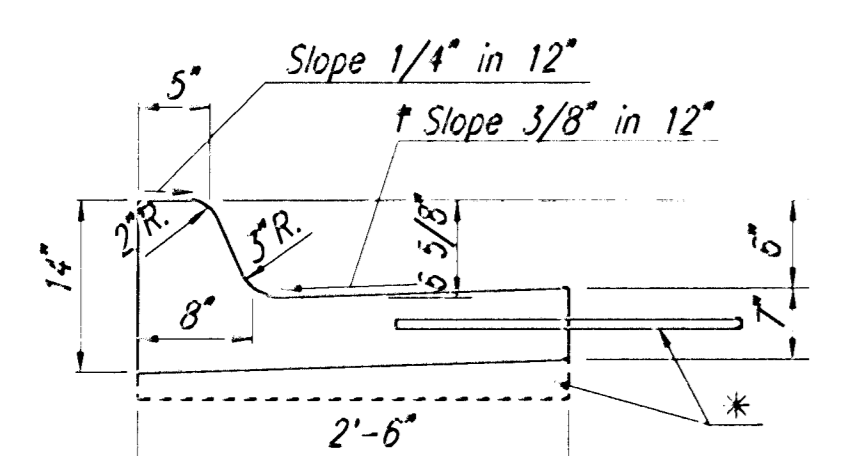
Backfill behind curb is not included in earthwork quantities and shall be Subsidiary to other Earthwork items. (Typ.)



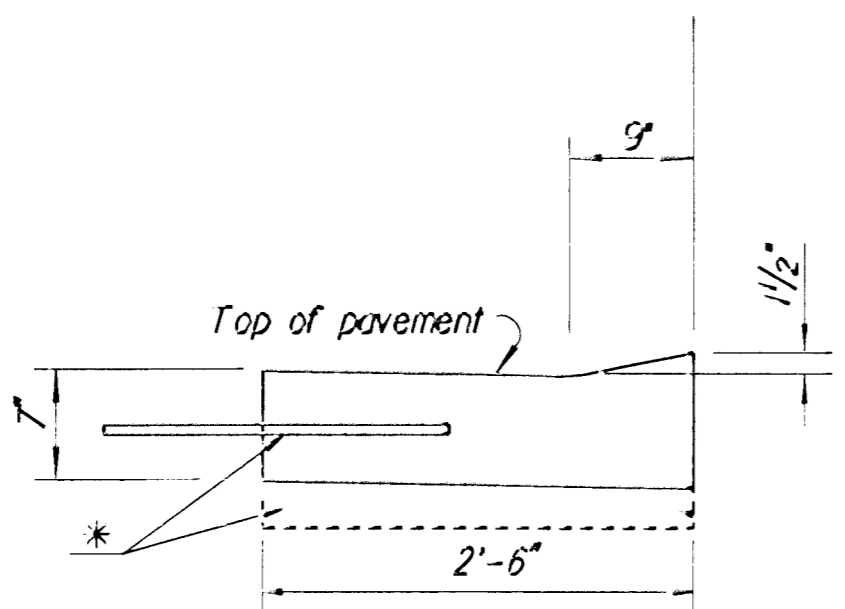
6\"/>



COMBINED CURB & GUTTER  
(3 5/8\"/>

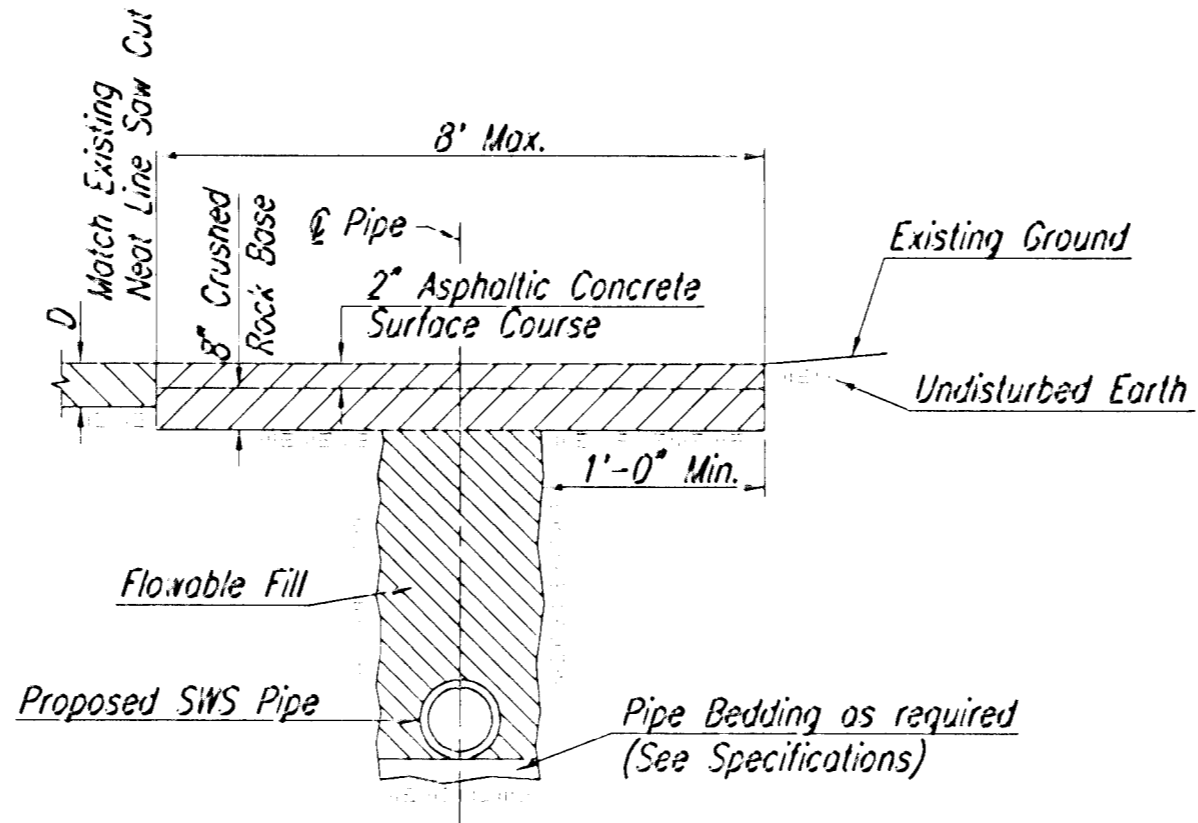


COMBINED CURB & GUTTER  
(6 5/8\"/>

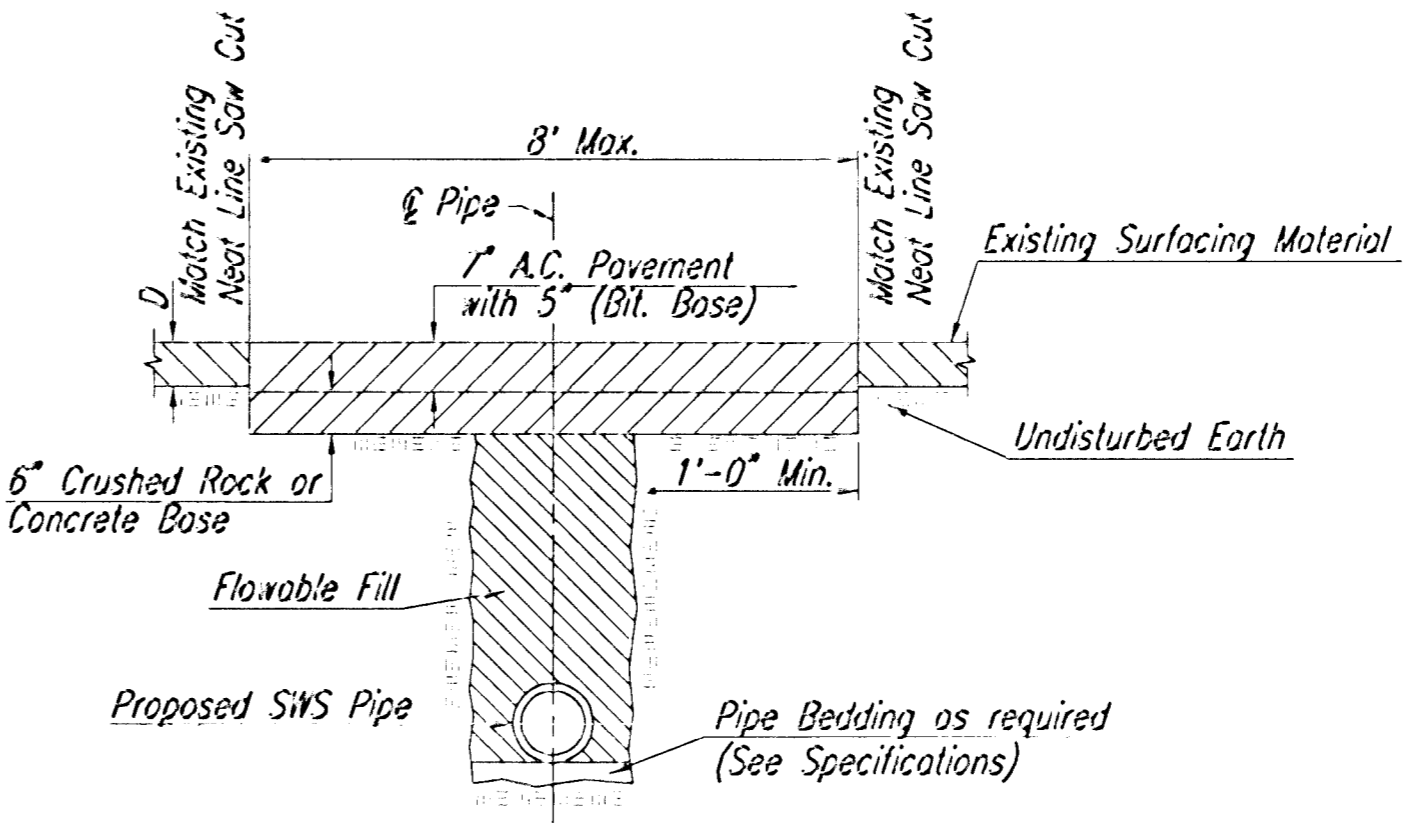


COMBINED CURB & GUTTER  
(1 1/2\"/>

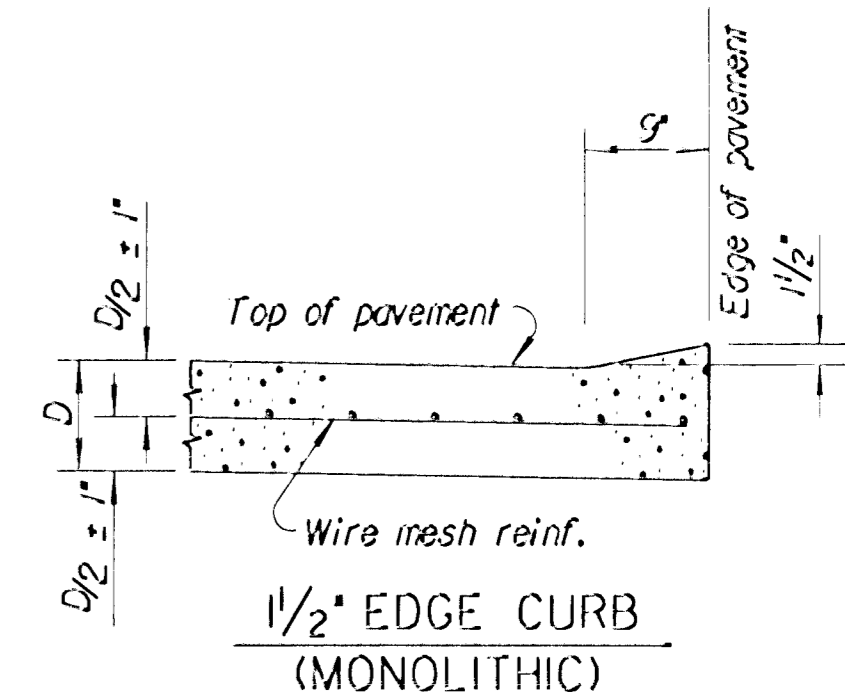
Note: Through Driveways, to be bid as Combined Curb and Gutter (6 5/8\"/>



TEMPORARY ASPHALT AND REMOVAL DETAIL  
Shall Be paid for as L.F. of Pavement Removal & Replace (Temp.)



PERMANENT ASPHALT AND REMOVAL DETAIL  
Shall Be paid for as L.F. of Pavement Removal & Replace (Perm.)



1 1/2\"/>

⊗ See Plan & Cross Sections for Slope Variations.

∅ See Plan for Curb & Gutter Type.

† Combined Curb & Gutter (6 5/8\"/>

\* Install #4x3'-0\"/>

∗ Curb & Gutter removed for Temporary Pavement does not need to be replaced.

Ported on: 9-26-2002  
Plotted by: GTP  
Design Filename: I:\959\9509.dwg Set: 2\Typical.stn Plot on:

This sheet designed by:



3					
2					
1					
NO.	DATE	REVISIONS	BY	APP'D	
CITY OF WICHITA					
WICHITA CENTRAL CORRIDOR					
STREET TYPICAL SECTIONS					
DESIGNED	RNM	SCALE 1"=5'	APP'D		
DESIGN CK.	DETAIL CK.	QUANTITIES	TRAILED		