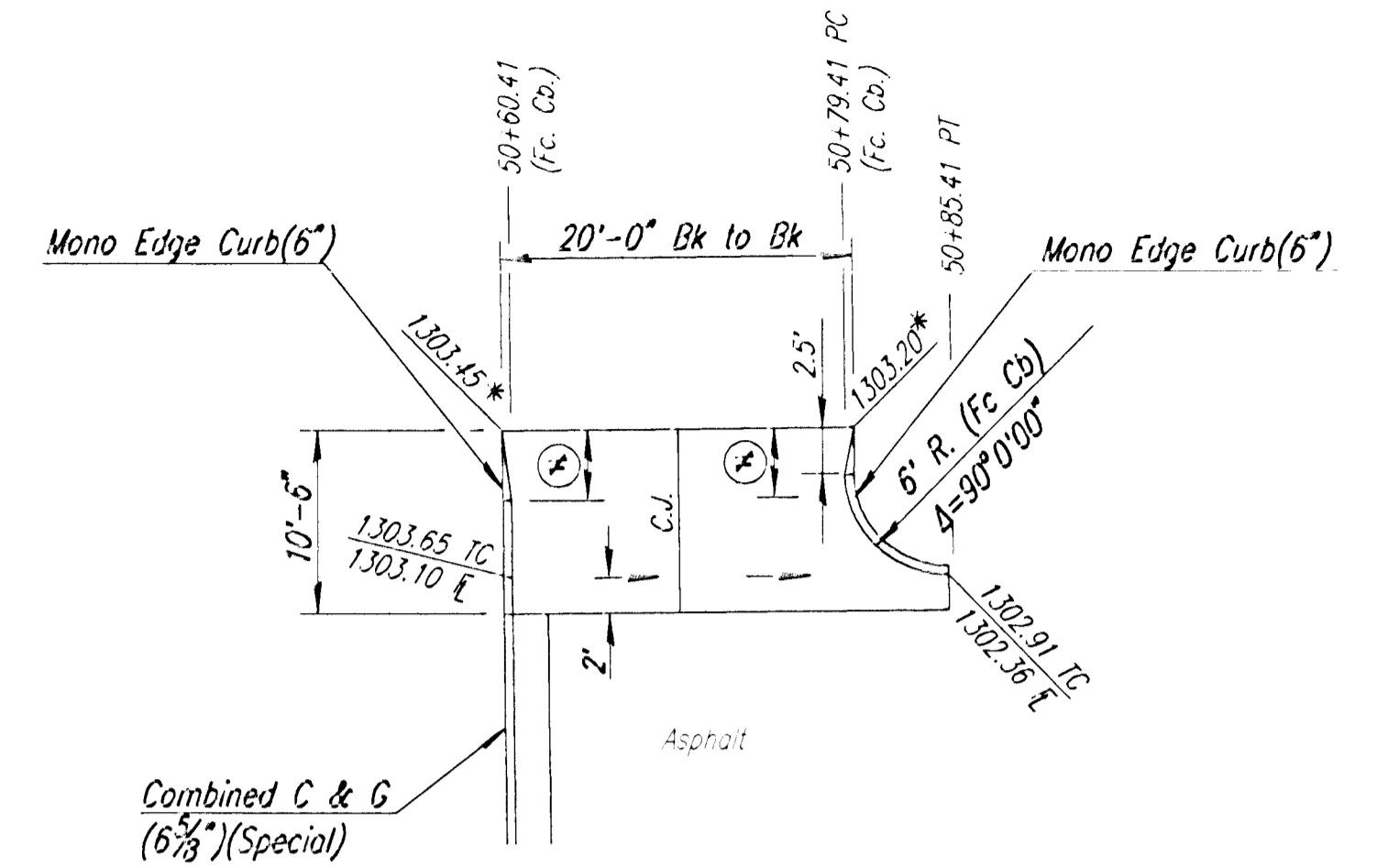
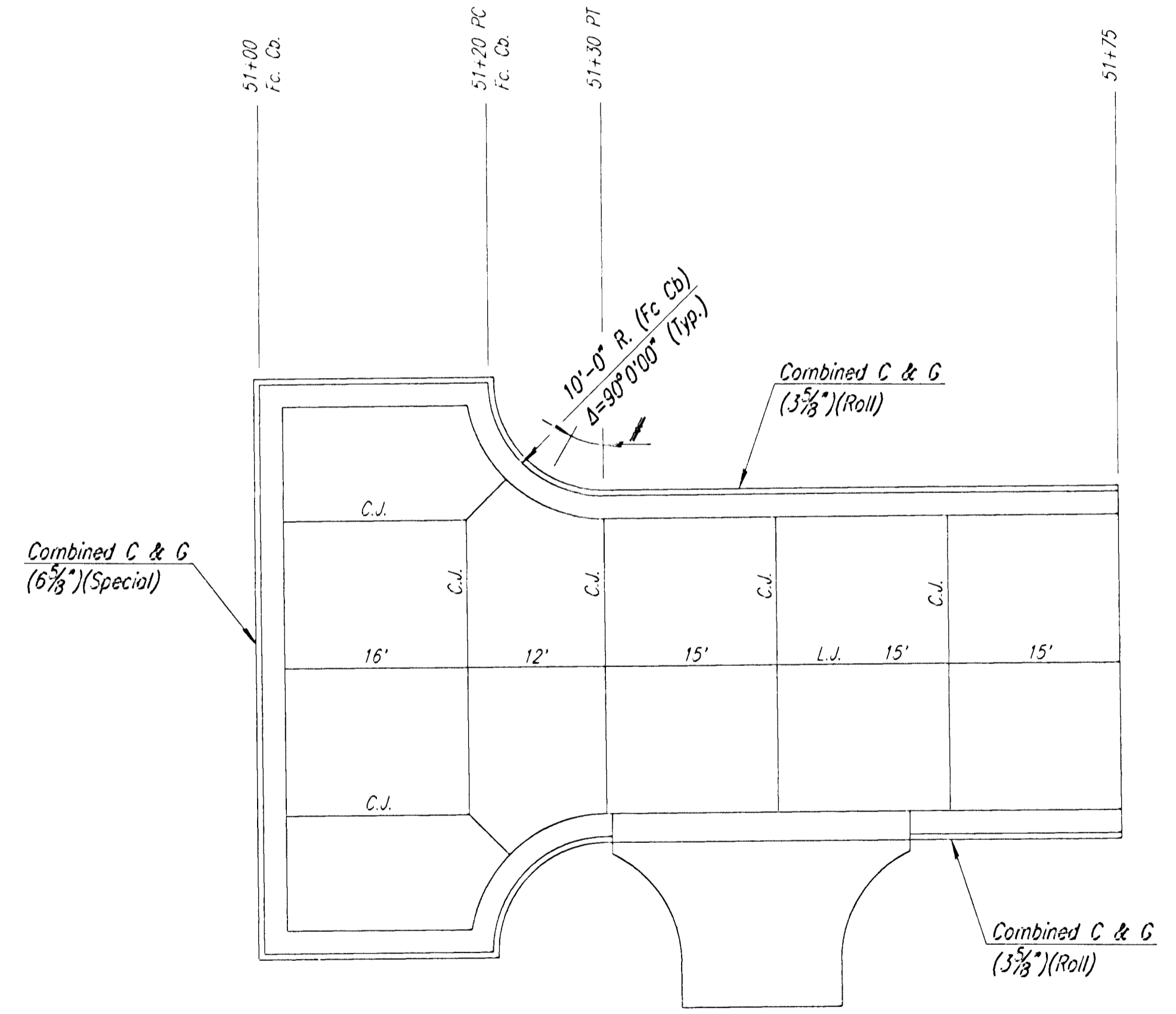


PROJECT NO.	SHEET NO.	TOTAL SHEETS
468-83473	12	60



**CONCRETE JOINTING PLAN
FOR ENTRANCE ON 10TH STREET**

Scale 1"=10'
* Match Existing
⊕ # Transition from Curb to no Curb

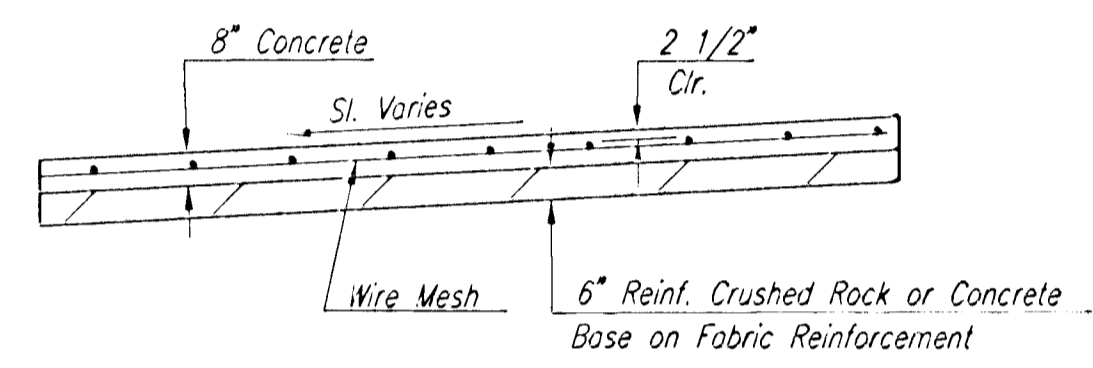


**CONCRETE JOINTING PLAN
FOR 15TH STREET**

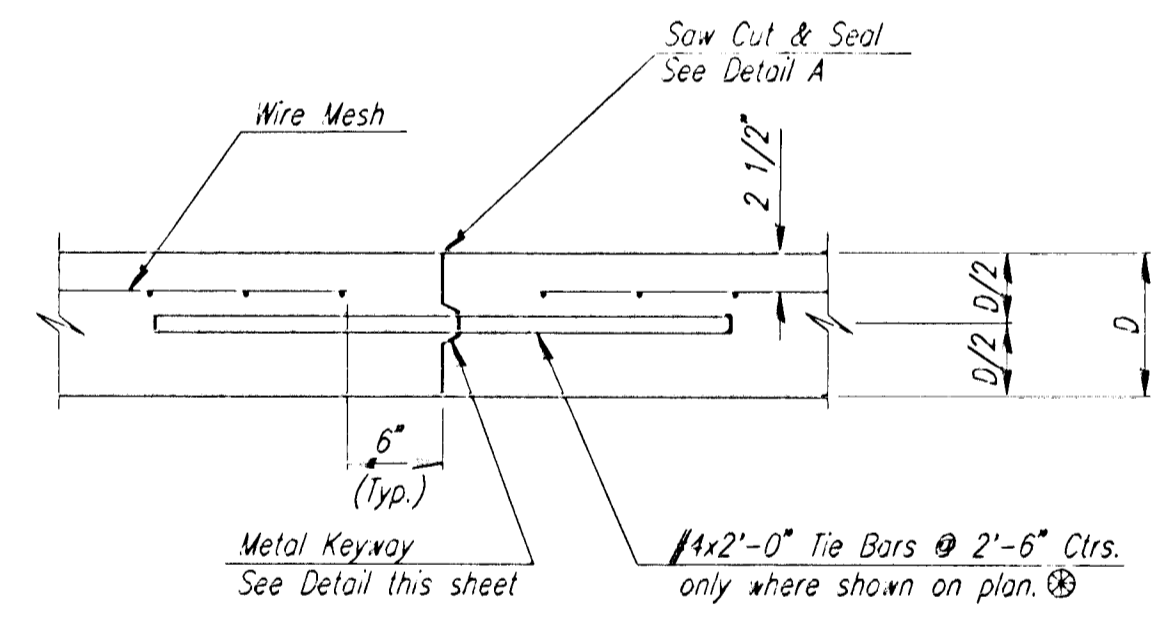
Scale 1"=10'
5' Transition from Curb & Gutter (6 3/8 inch) (Special) to Curb & Gutter (3 3/8 inch).



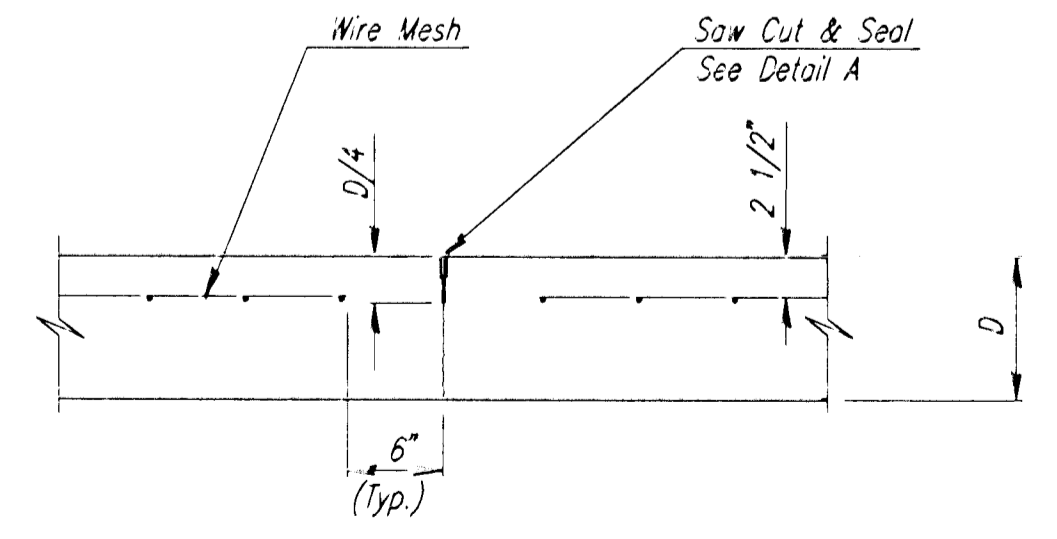
DETAIL OF LAP FOR WIRE MESH
The lap shall extend beyond the first transverse wire of each sheet.
The sheet shall be wired securely at the edges and at intervals not to exceed 2'-6" for the full width of the sheet. Approximate weight of wire mesh = 58 lbs. per 100 sq. ft. Other method for fastening the sheets of wire mesh at the laps may be used with the approval of the Engineer. Wire Mesh shall be WWF 6x6-W4-W4.



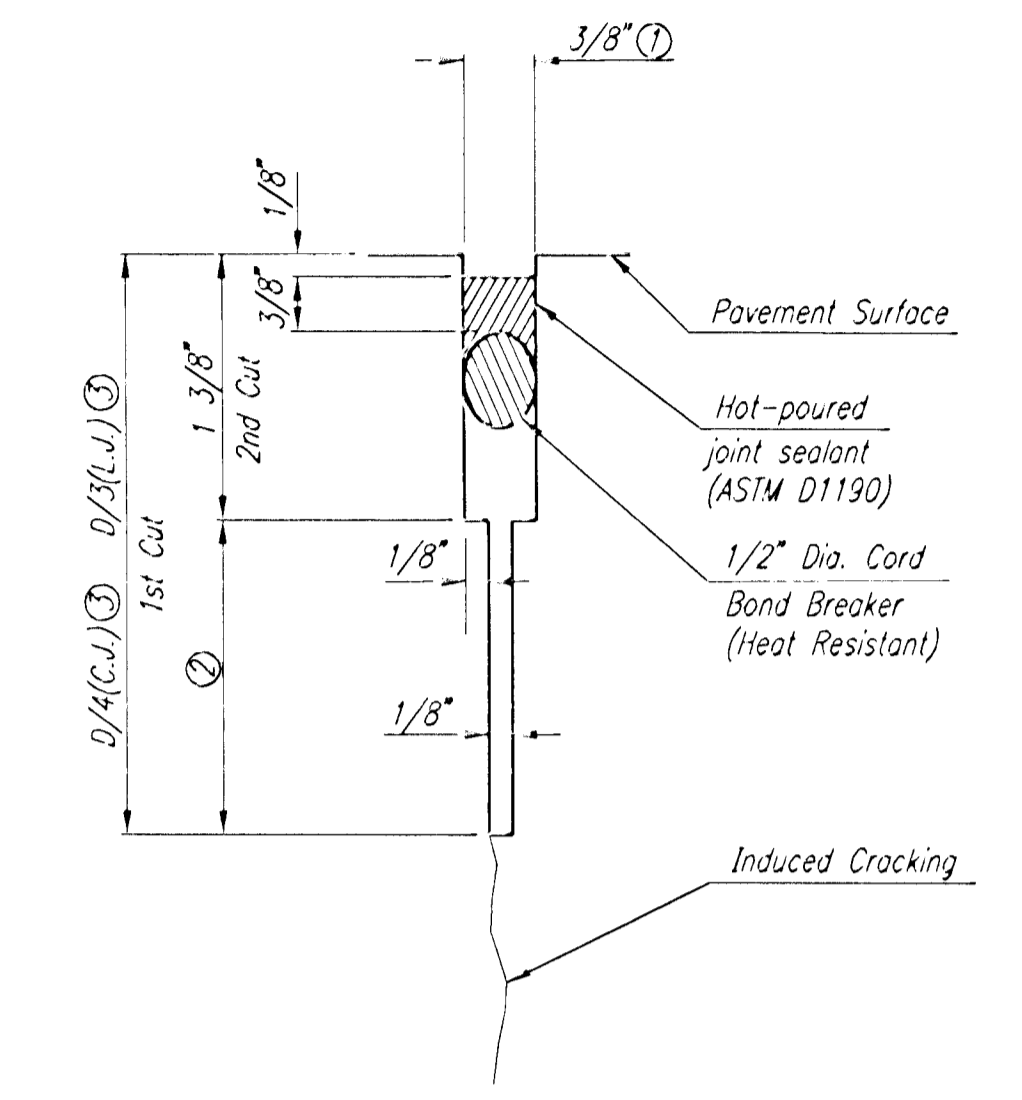
**8" Reinforced Concrete Pavement
Section**



**LONGITUDINAL CONSTRUCTION JOINT DETAIL
REINFORCED PAVEMENT
(L.J.)**

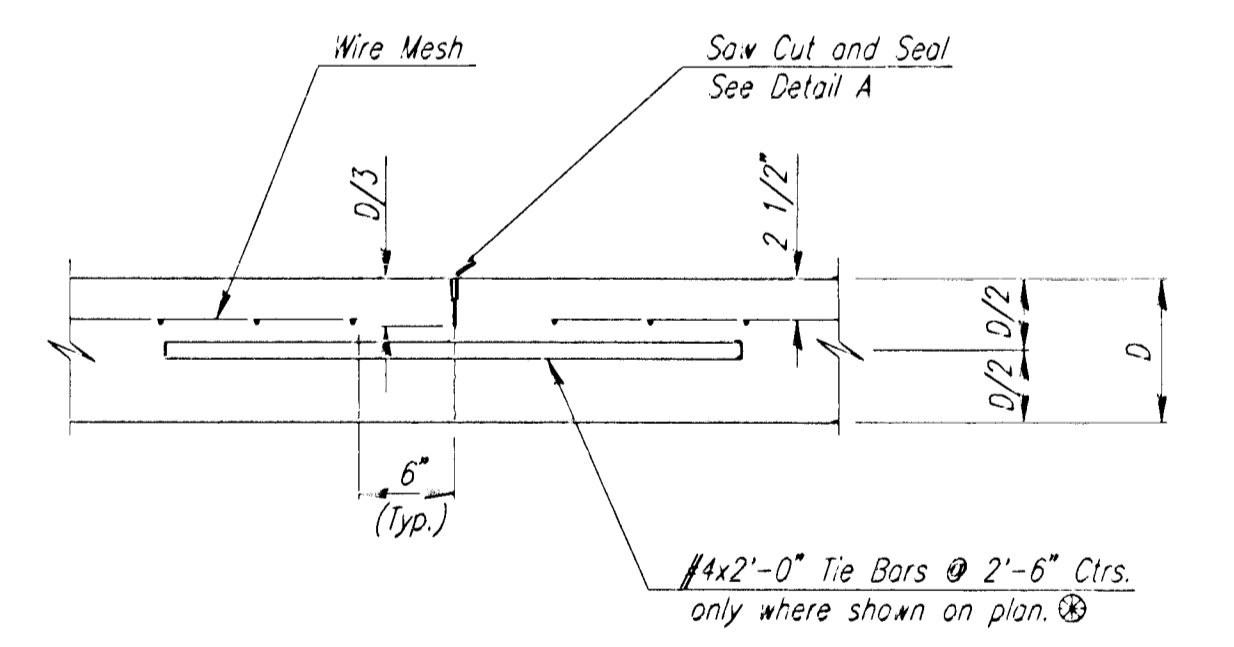


**CONTRACTION JOINT DETAIL
REINFORCED PAVEMENT
(C.J.)**



DETAIL A

- Ⓛ To be accomplished in 2 cuts for Longitudinal Joints and Construction Joints. Initial cut to be 1/8" wide.
- Ⓜ Eliminate bottom of cut when metal keyway is used as part of Longitudinal or Transverse Construction Joint and at Doweled Construction Joint Locations.
- Ⓨ 1 1/2" Minimum



**LONGITUDINAL JOINT DETAIL
REINFORCED PAVEMENT
(TRANSVERSE SECTION)**

1/1999/99189/Bids/Std/Standards/concrete_details.dgn
date plotted: 4-28-03
plotted by: drp

<p>THE CITY OF WICHITA</p> <p>CITY ENGINEER'S OFFICE CITY HALL - SEVENTH FLOOR 455 NORTH MAIN STREET WICHITA, KANSAS 67202 (316) 268-4501 (316) 268-4114 FAX</p>	CONCRETE PAVEMENT DETAILS	
	M. E. LINDEBAK P.E. - CITY ENGINEER	
	PROJECT NUMBER 468-83473	CCA NO. 715226
	DATE MAR 96	