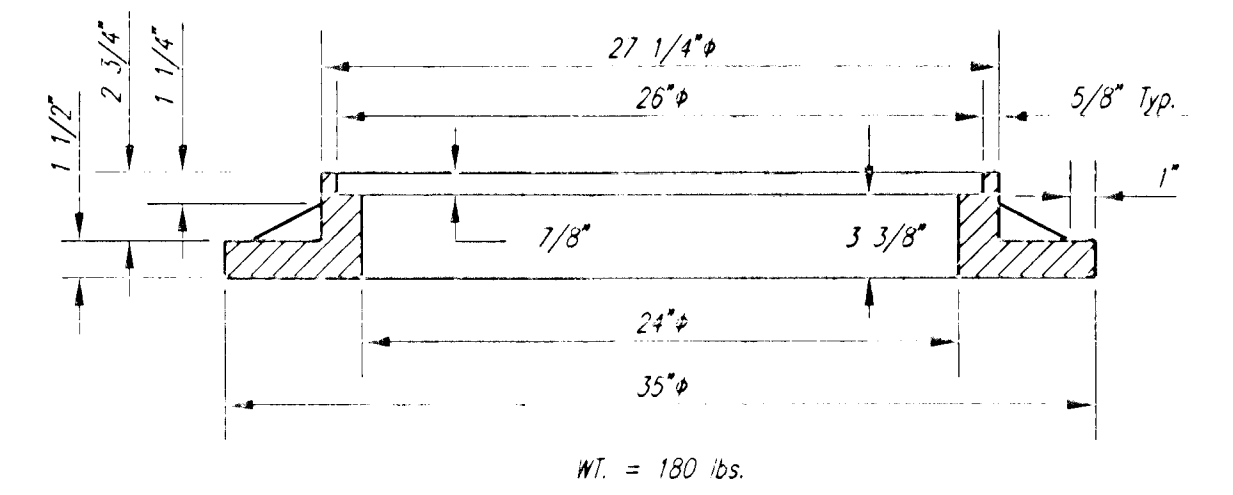
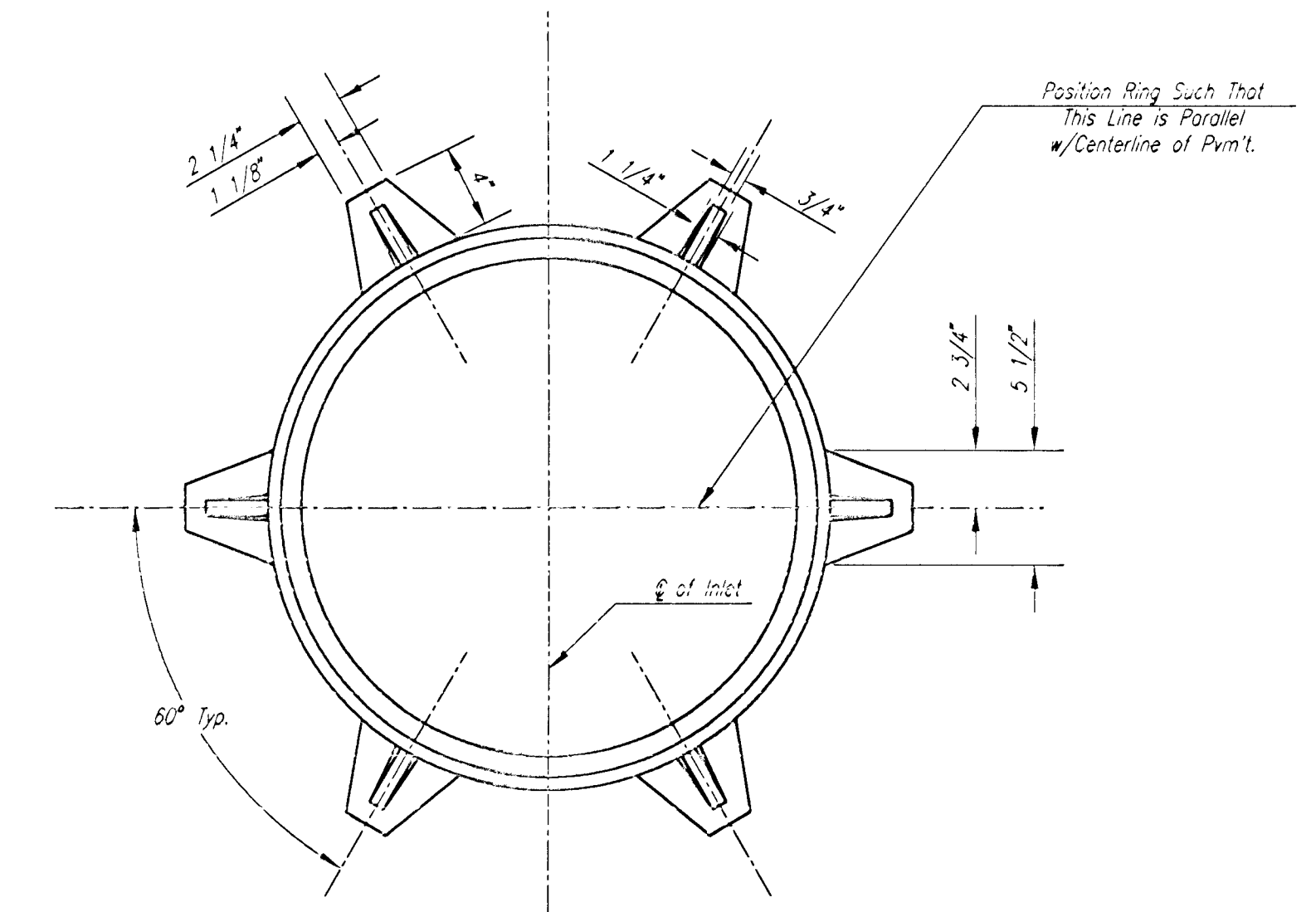
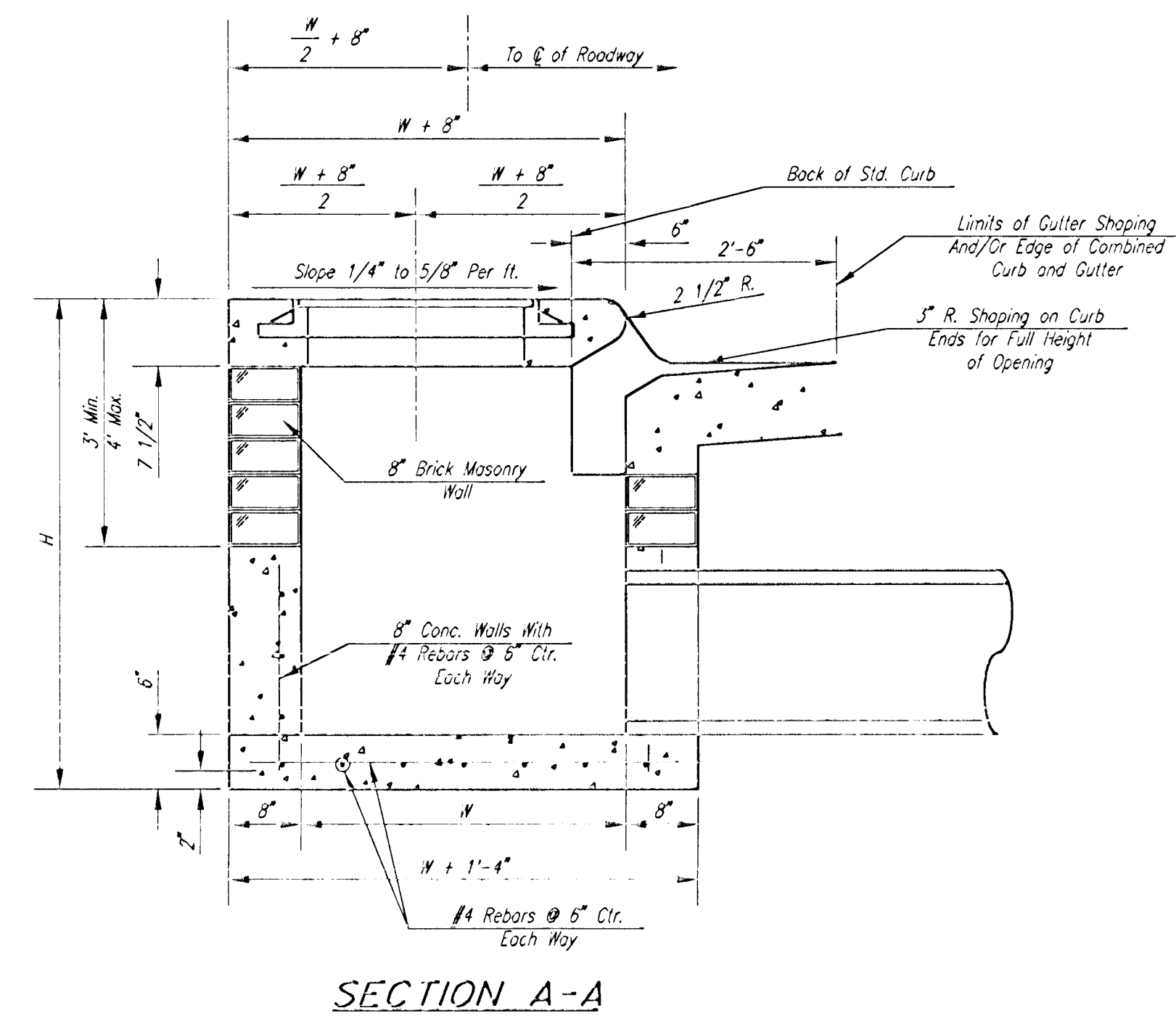
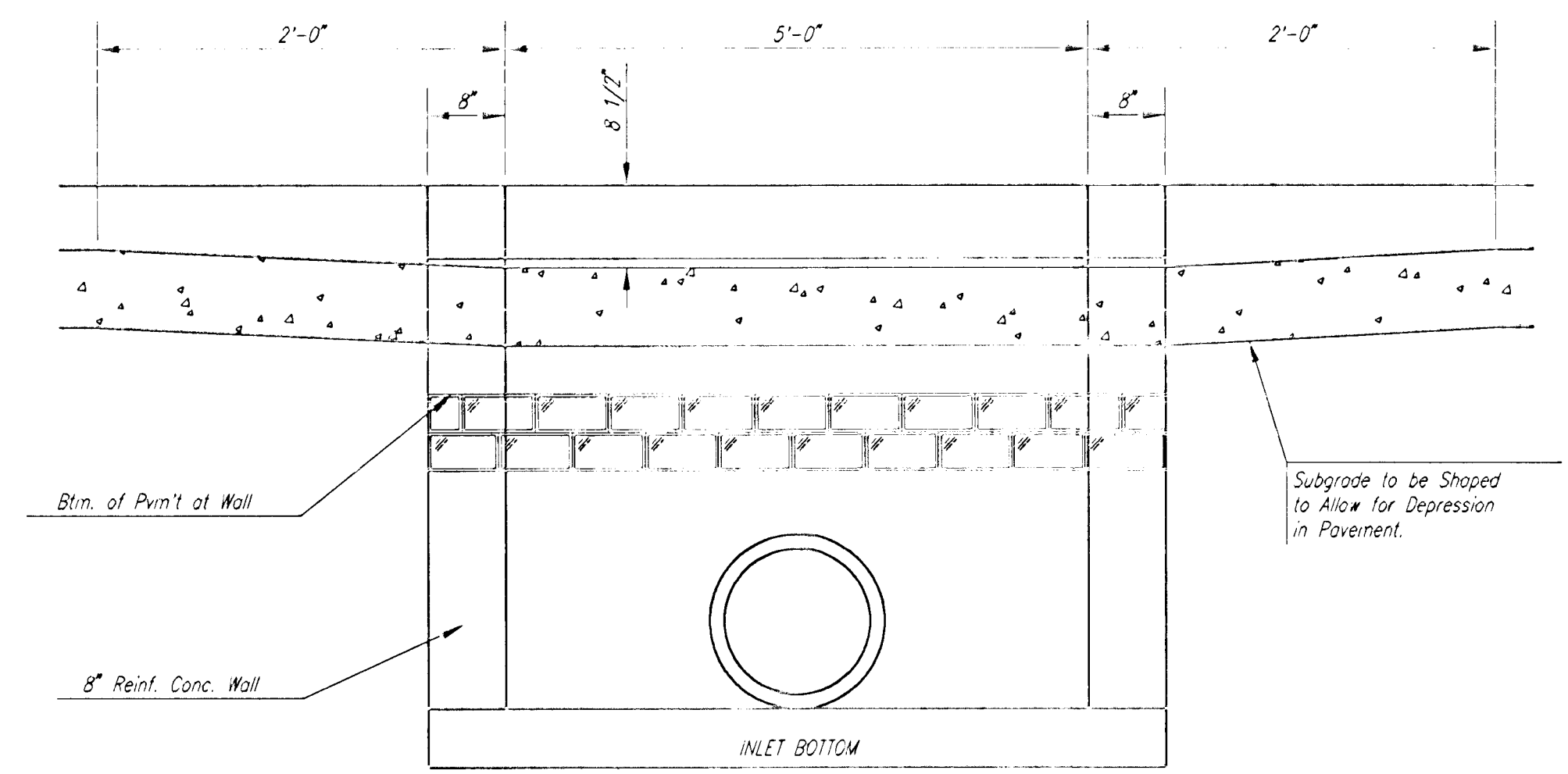


- Notes:
- Inlet Top Reinforcing shall be Spaced on 6" Max. Centers. Inlet Lids shall be Notched out as Indicated to Facilitate Construction of Curb.
 - b3 Bar to be Field Bent to Clear Inlet Frame.

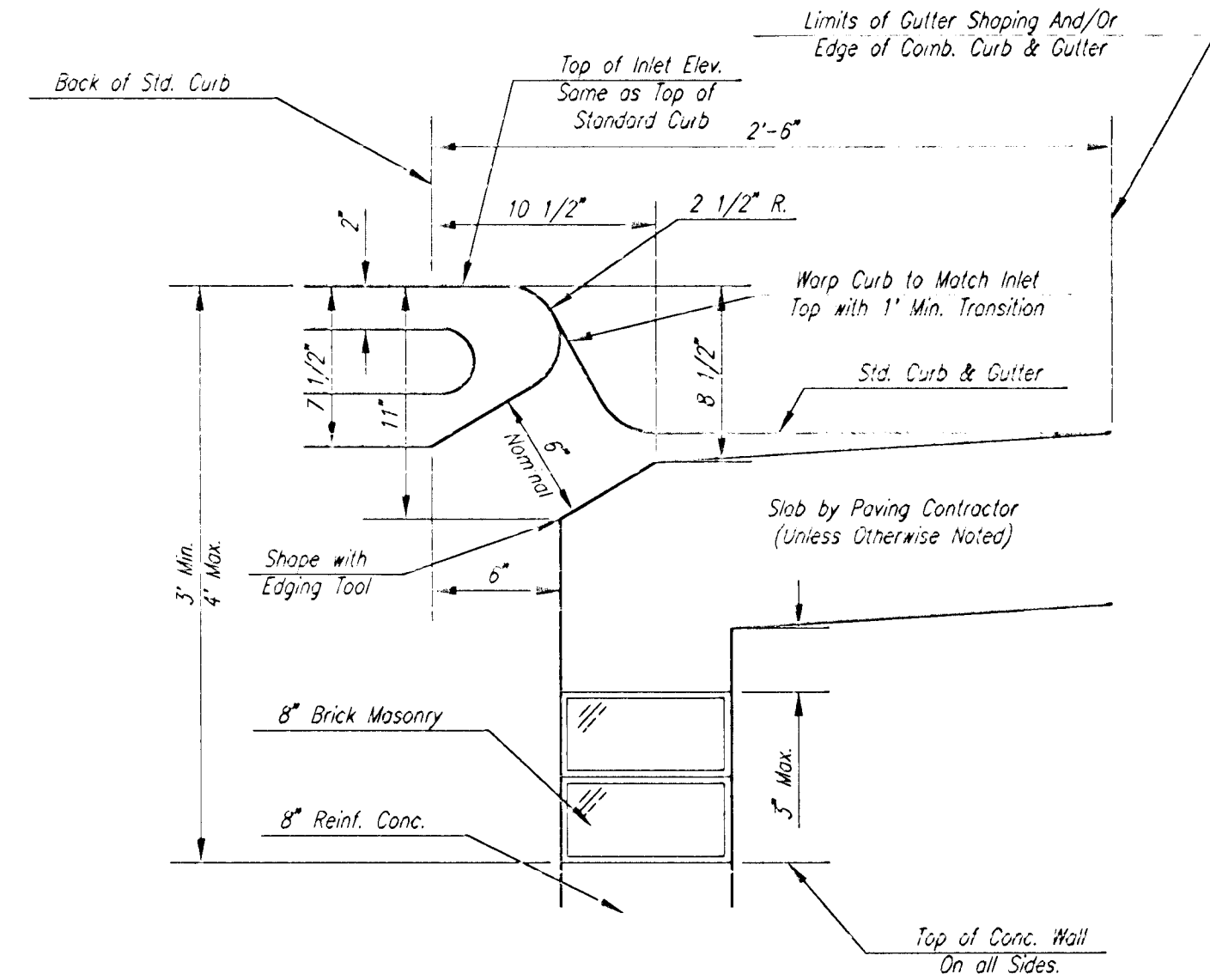


MANHOLE RING AND COVER

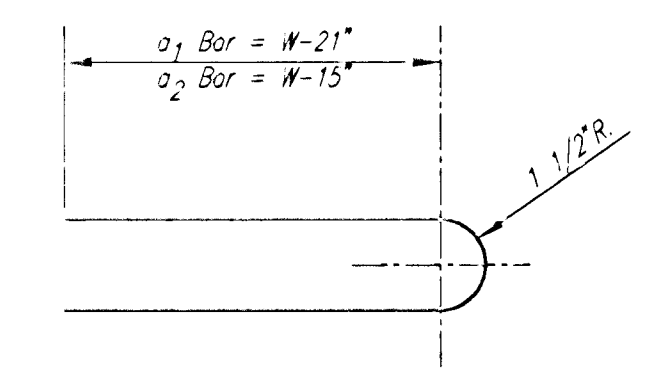
*See City of Wichita Standard Manhole Ring and Cover Detail Sheet for Cover Details to Be Used With Inlet Frame.



SECTION C-C



SECTION B-B

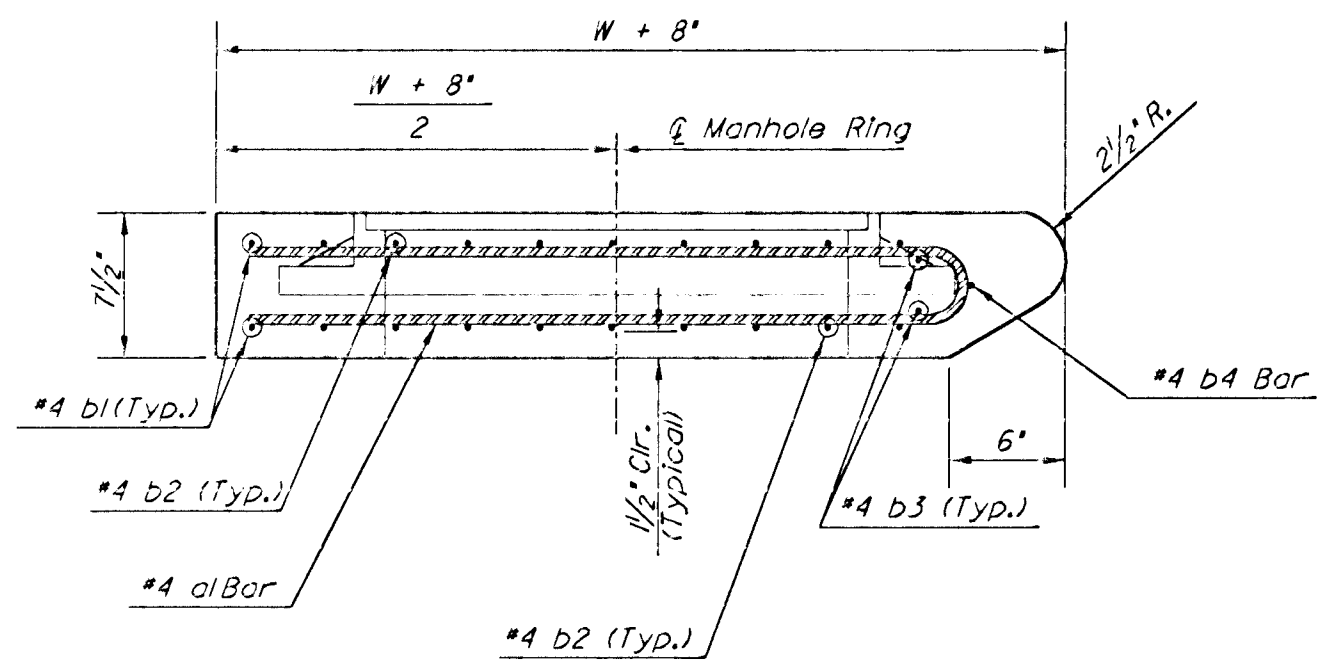


BENDING DIAGRAM

BAR NUMBER	a1	a2	a3	b1	b2	b3	b4	W. Lds.
SIZE	#4	#4	#4	#4	#4	#4	#6	
LENGTH	W=3'-0"	5'-1"	6'-1"	4'-0"	6'-1"	-	-	1'-9"
	W=4'-0"	7'-1"	8'-1"	5'-0"	6'-1"	-	-	1'-9"
	W=5'-0"	9'-1"	10'-1"	6'-0"	6'-1"	-	-	1'-9"
	W=6'-0"	11'-1"	12'-1"	7'-0"	6'-1"	-	-	1'-9"
	W=7'-0"	13'-1"	14'-1"	8'-0"	6'-1"	1'-9"	6'-2"	4'-8"

Note: a3 Bars to be Placed Approx. 2" Below Top of Inlet Cover.

W	PRE-CAST TOP SIZE	PIPE SIZE	CU. YD. CONC.
3'-0"	3'-8" 5'-4" 7 1/2"	21" & SMALLER	0.38±
4'-0"	4'-8" 6'-4" 7 1/2"	24" & 30"	0.51±
5'-0"	5'-8" 6'-4" 7 1/2"	36" & 42"	0.64±
6'-0"	6'-8" 6'-4" 7 1/2"	48" & 54"	0.77±
7'-0"	7'-8" 6'-4" 7 1/2"	60" & 66"	0.90±



GENERAL NOTES

- Concrete tops to be installed on thin mortar cushion to insure full support along brick walls. Concrete tops may be cast in place or precast. Concrete used for inlet construction shall be concrete pavement mix.
- Contractor shall have the option of constructing 8" brick masonry walls between the concrete inlet base and top on this inlet when W=5'-0" and H=7'-0" or less.
- Inlet invert shall be shaped with 8 sack sand mix concrete to create flow channels and to increase hydraulic efficiency such that the inlet will be self cleaning between all inlet and/or outlet pipes.
- The ends of all pipes installed in inlets shall be cut off flush with the inside face of the inlet wall.

THE CITY OF WICHITA

CITY ENGINEER'S OFFICE
CITY HALL - SEVENTH FLOOR
455 NORTH MAIN STREET
WICHITA, KANSAS 67202
(316) 268-4500
(316) 268-4844 FAX

**STANDARD TYPE 1
CURB INLET
OPENING - 6" x 5'-0"**

M. E. LINDEBAK P.E. - CITY ENGINEER

PROJECT NUMBER 468-83473	INDEX CODE 715226
DATE MAR 96	