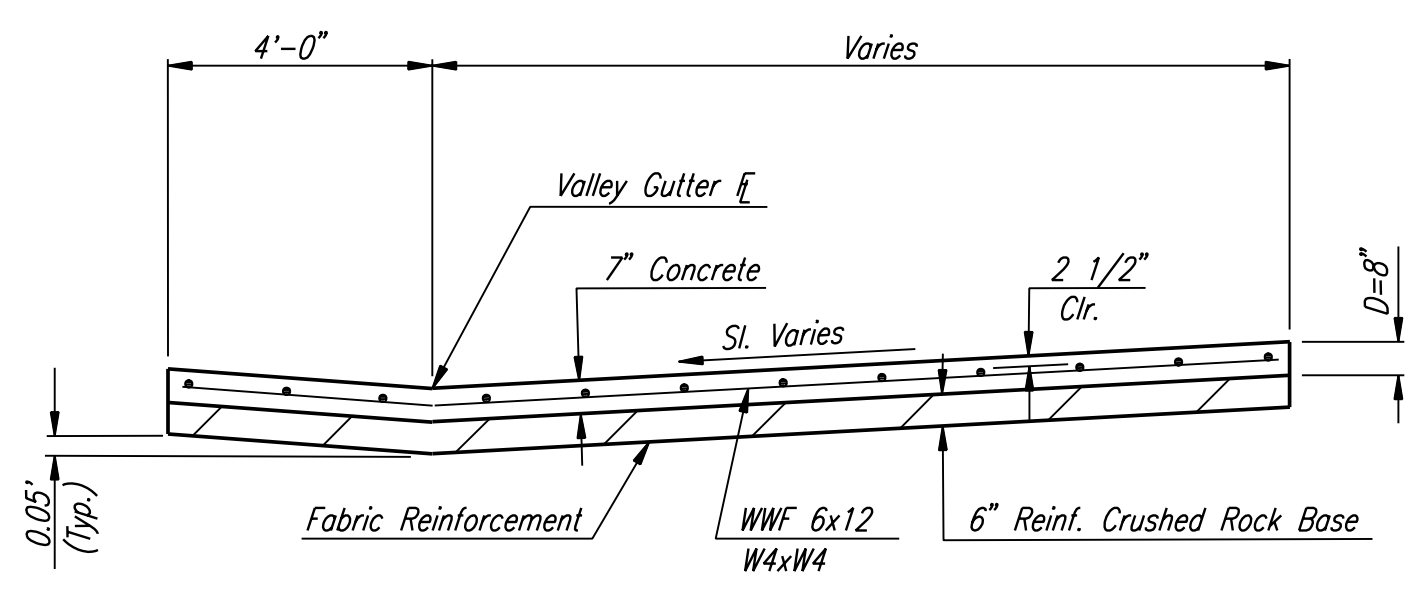


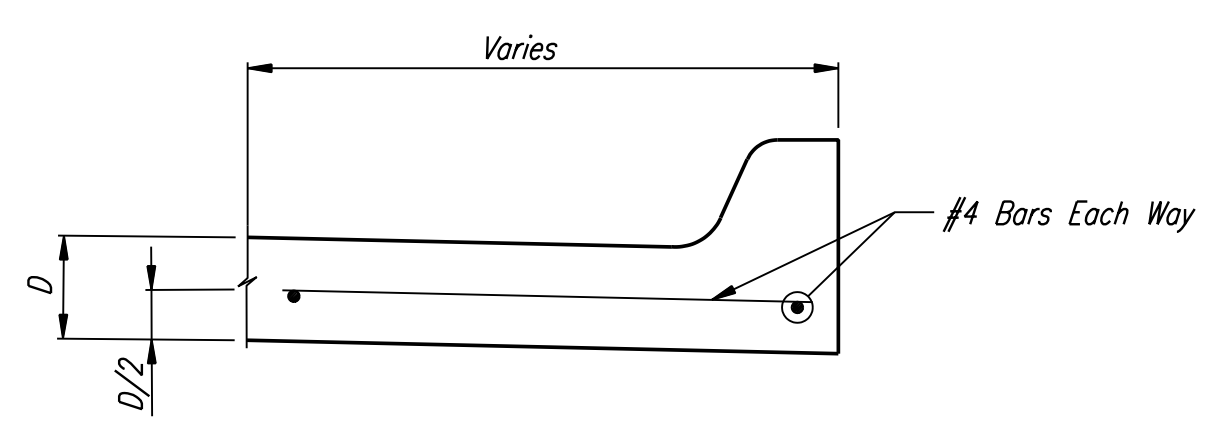
PLAN
REINFORCED VALLEY GUTTER



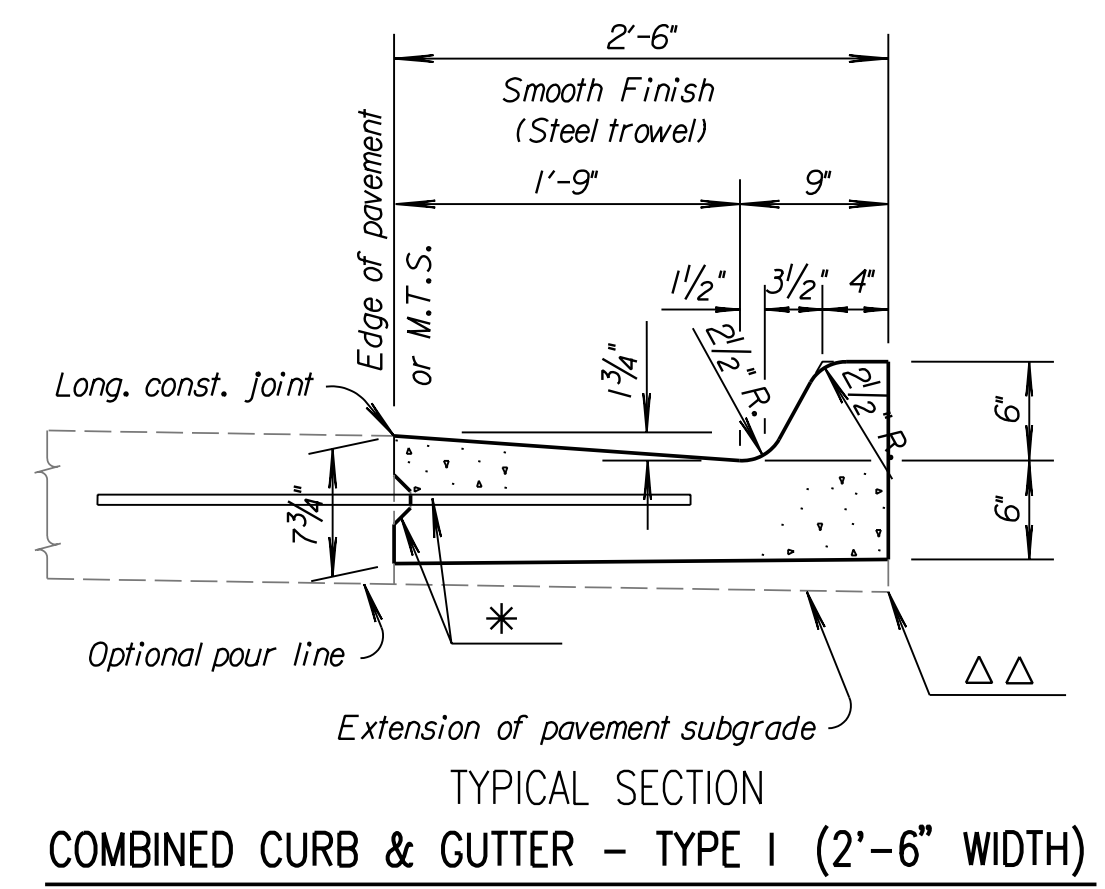
SECTION A-A

NOTE: OMIT REINFORCING MESH AT ALL JOINTS

NOTE: ALL CONCRETE VALLEY GUTTER REINFORCEMENT SHALL BE ADEQUATELY SUPPORTED BY BAR CHAIRS IN THE REQUIRED POSITION UNLESS APPROVED OTHERWISE BY THE ENGINEER.

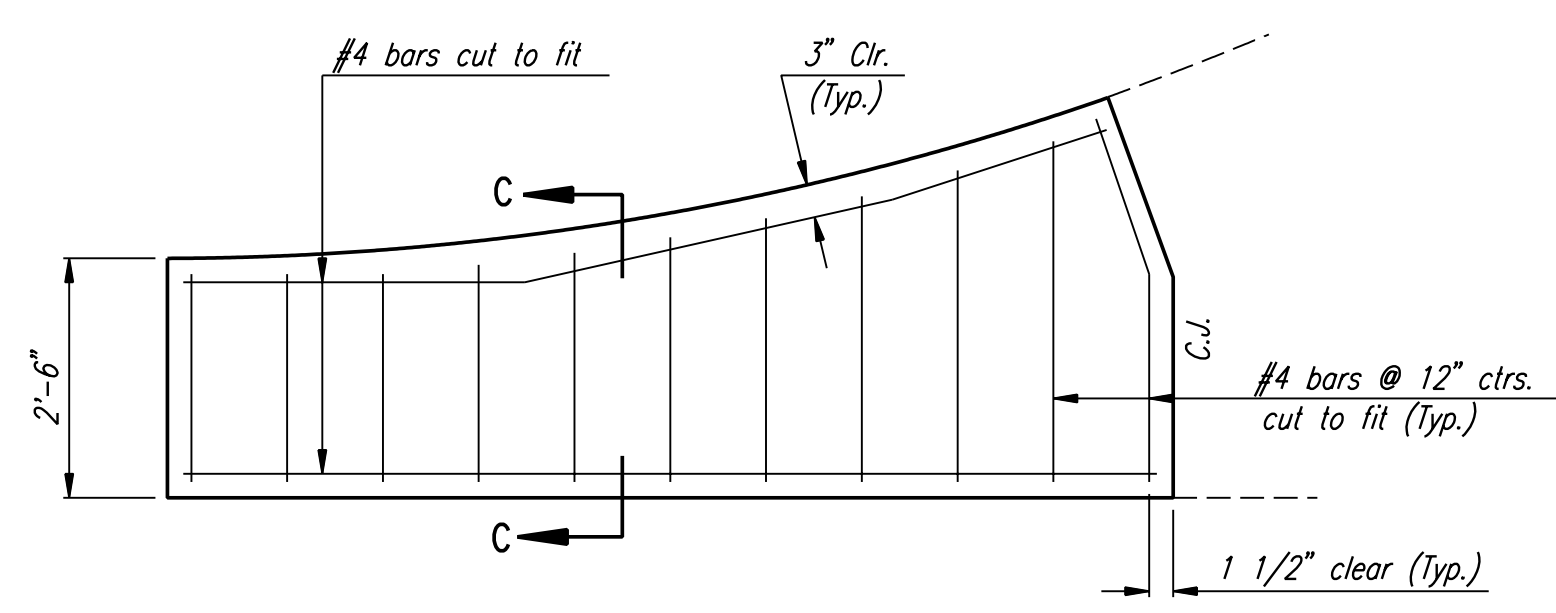


SECTION C-C



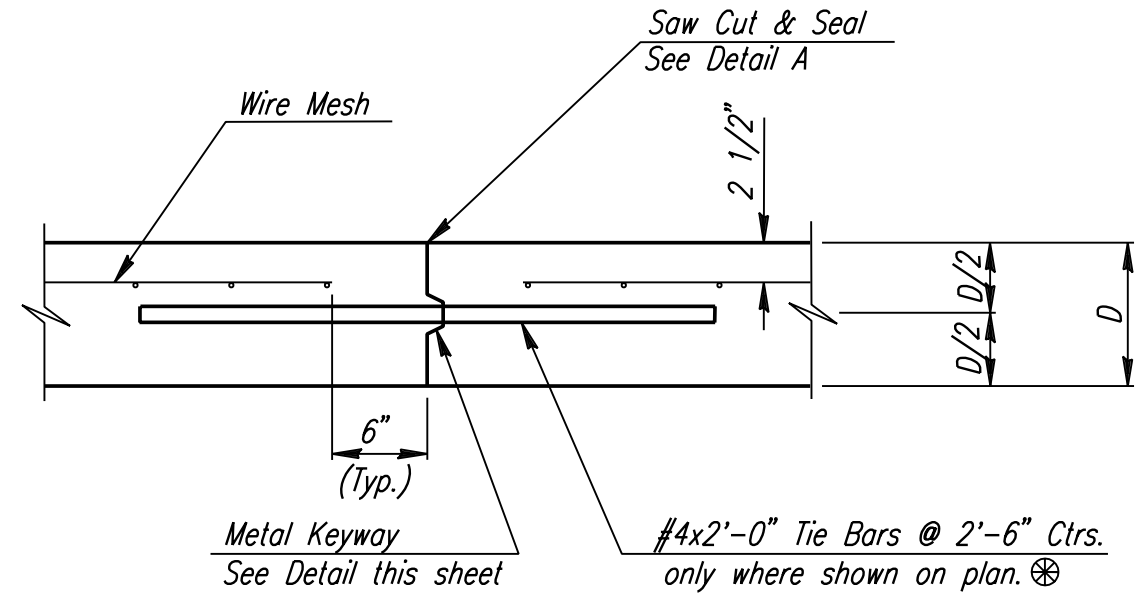
* Longitudinal construction joint and #4 x 3'-0" bars @ 2'-6" ctrs., where concrete pavement is constructed.

△△ Contractor has the option of thickening the curb and gutter as shown.

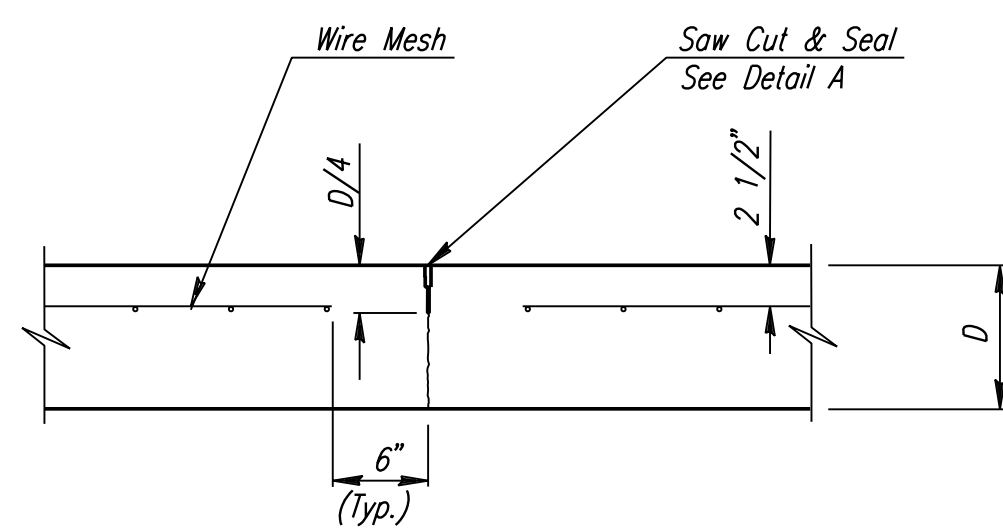


WING REINFORCING DETAIL

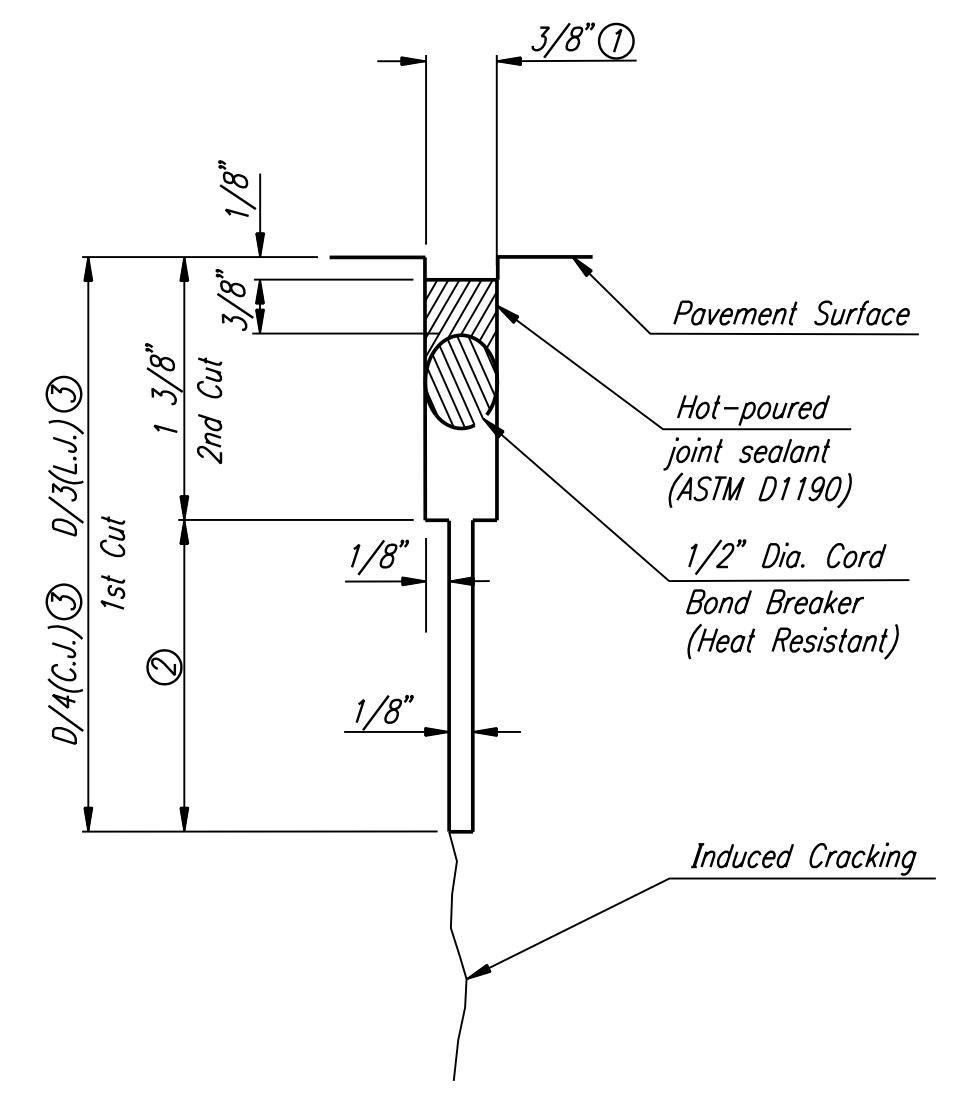
NOTE: OMIT WIRE FABRIC REINFORCING IN THIS SECTION.



LONGITUDINAL CONSTRUCTION JOINT DETAIL
REINFORCED PAVEMENT (TRANSVERSE SECTION) (ALTERNATE L.J.)

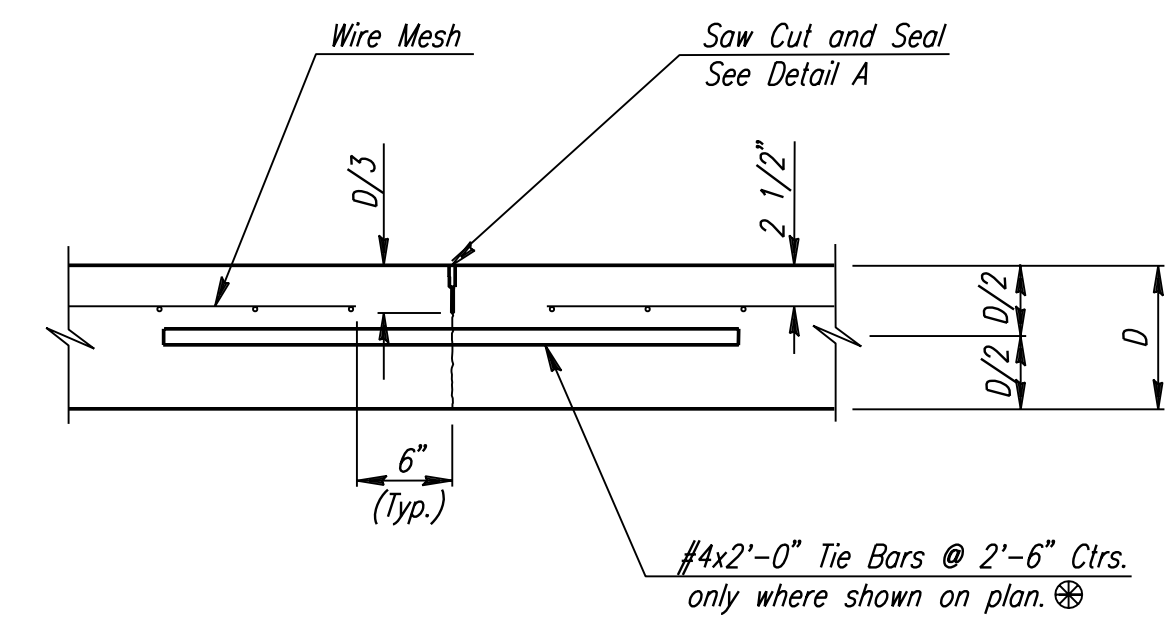


CONTRACTION JOINT DETAIL
REINFORCED PAVEMENT (C.J.)

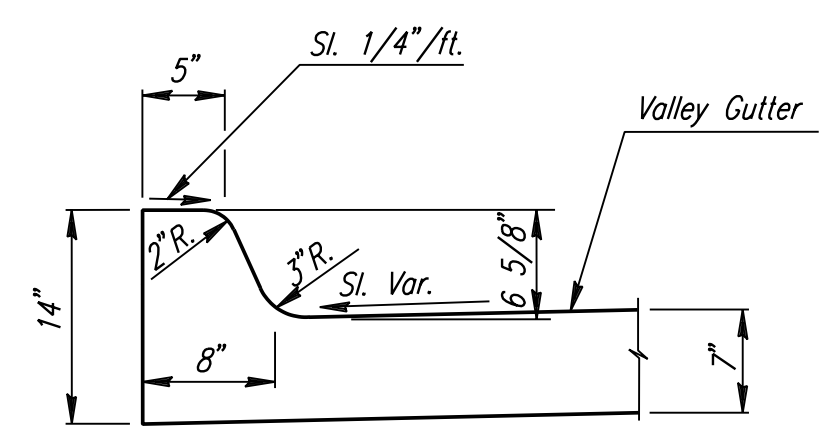


DETAIL A

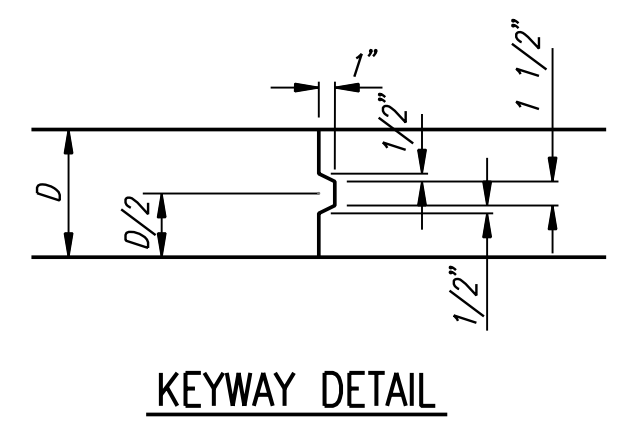
- ① To be accomplished in 2 cuts for Longitudinal Joints and Contraction Joints. Initial cut to be 1/8" wide.
- ② Eliminate bottom of cut when metal keyway is used as part of Longitudinal or Transverse Construction Joint and at Doweled Construction Joint Locations.
- ③ 1 1/2" Minimum



LONGITUDINAL JOINT DETAIL
REINFORCED PAVEMENT (TRANSVERSE SECTION)



DETAIL B
(STANDARD CURB)(6 5/8")
MONOLITHIC EDGE CURB



KEYWAY DETAIL

Date Plotted: 9-8-2004
Deliver To: drp
I:\2004\04330\off\check\04330_C-V\guldil\EP.dgn

1			
No.	Revisions	By	Date
CITY OF WICHITA, KANSAS			
VALLEY GUTTER DETAIL			
9 TH STREET OVER WESTLINK TRIBUTARY			
PROJECT NO. 472-84021		SEDGWICK COUNTY	
Professional Engineering Consultants, P.A.			
303 S. TOPEKA • WICHITA, KANSAS 67202 316-262-2691 • FAX 316-262-3003			
Designed by	R.A.S.	Checked by	R.A.S.
Drawn by	W.L.L.	Date	Aug, 2004
		Job No.	04330