

GENERAL NOTES - CONCRETE FLUME

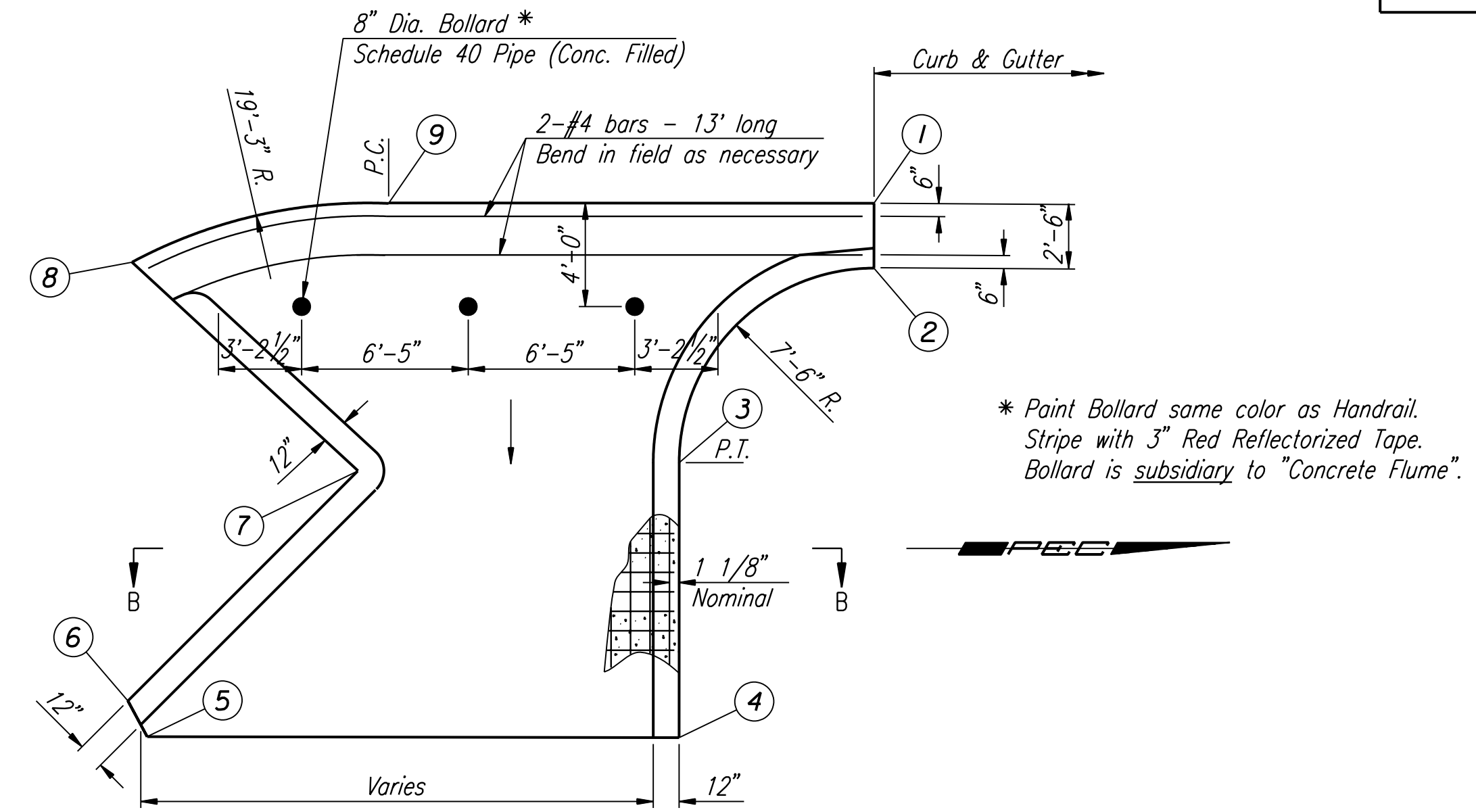
Concrete Flumes shall be paid for by unit price per Sq. Ft. Slope Drain section shall be considered part of Concrete Flume.

Reinforcing steel & wire mesh are subsidiary to "Concrete Flume".

The entire area of the Concrete Flume shall be poured monolithically and struck off with a uniform thickness of 6 inches. Concrete Pavement Mix shall be used in the Concrete Flume.

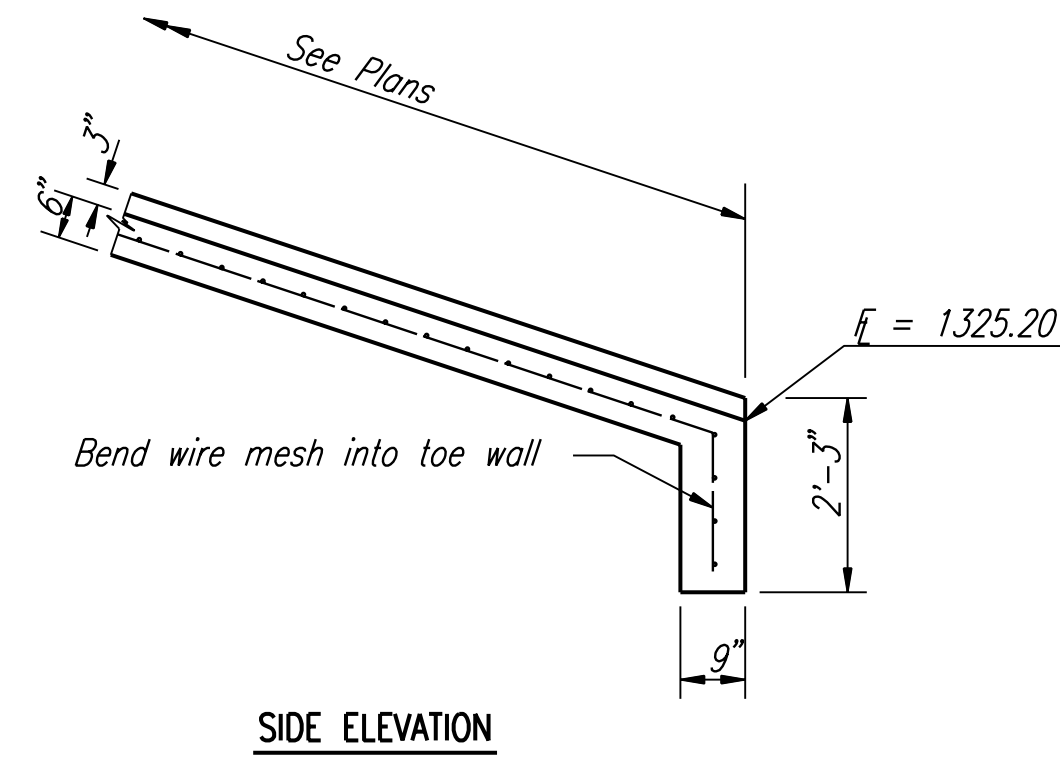
No pavement expansion or contraction joints shall be placed within the limits of the Concrete Flume.

All exposed edges shall be finished with an edging tool.

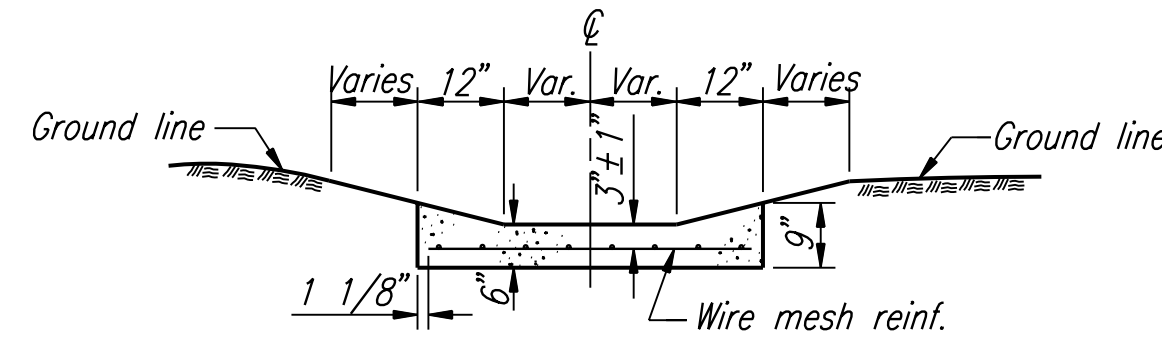


WEST FLUME

FLUME INFORMATION BR. NO. 530400870CCWR50							
WEST FLUME				EAST FLUME			
POINT	N Coord.	E Coord.	ELEVATION	POINT	N Coord.	E Coord.	ELEVATION
1	5051.7507	5334.3519	1331.66	1	5044.2407	5394.8019	1325.45
2	5051.7507	5336.8519	1331.98	2	5044.2407	5405.4019	1330.80
3	5044.2407	5344.3519	1330.50	3	5051.7507	5412.8919	1332.23
4	5044.2407	5354.9419	1325.45	4	5051.7507	5415.3119	1331.77
5	5023.7462	5354.9046	1325.20	5	5032.8207	5415.3119	1331.34
6	5023.0007	5353.5219	1326.20	6	5023.1807	5413.1319	1331.60
7	5031.8707	5344.6619	1330.00	7	5031.4407	5405.4819	1330.00
8	5023.1607	5336.6219	1331.60	8	5031.8507	5405.0619	1330.20
9	5033.0507	5334.3619	1331.53	9	5023.0007	5396.2219	1326.20
				10	5023.7507	5394.8419	1325.20

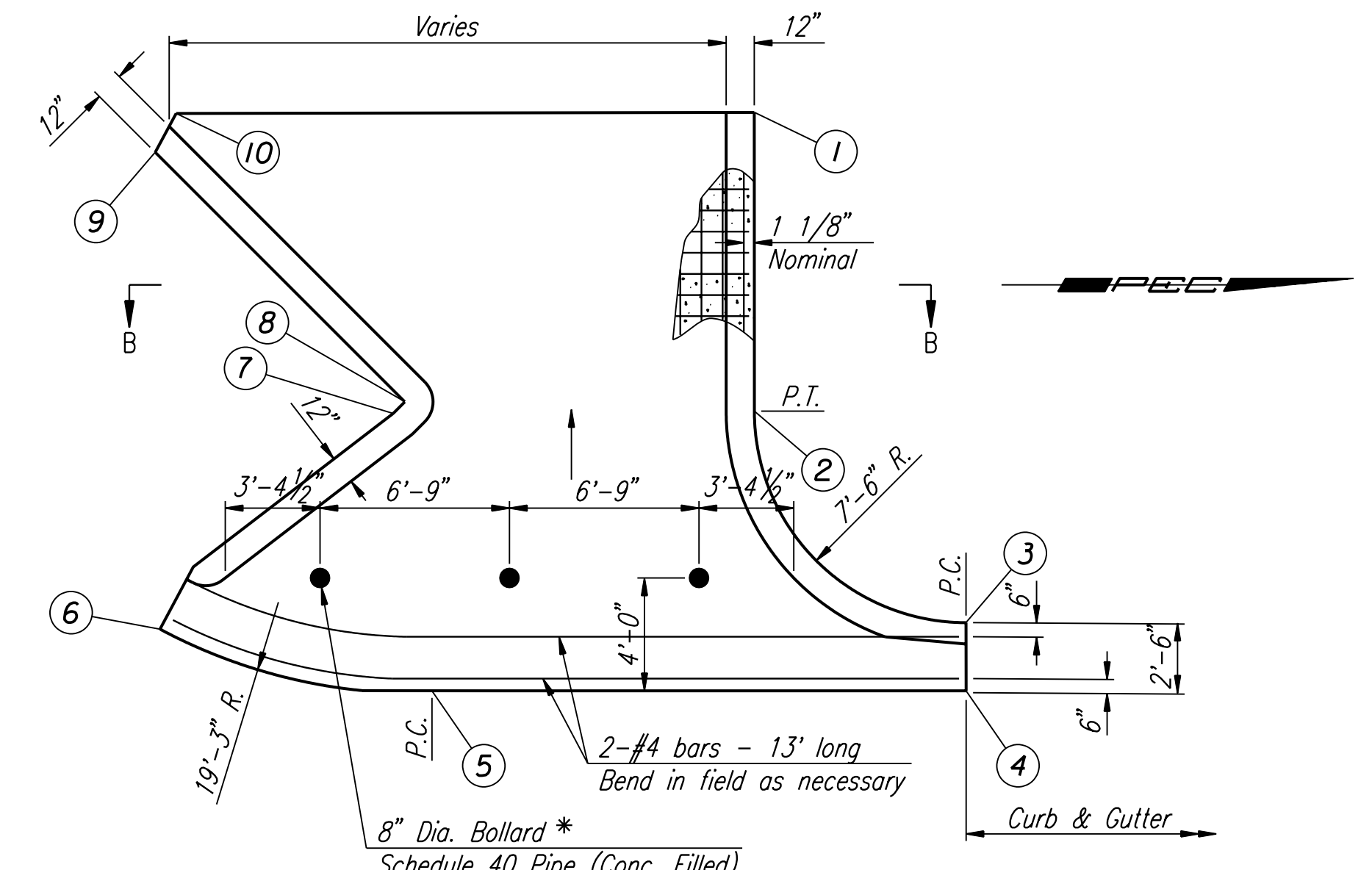


SIDE ELEVATION



SECTION B-B

CONCRETE FLUME



EAST FLUME

* Point Bollard same color as Handrail. Stripe with 3" Red Reflectorized Tape. Bollard is subsidiary to "Concrete Flume".

Note: Bollards to each be 8" Dia. x 8'-0" with 3'-0" embedment below top of Concrete Flume. Pipe material to comply with ASTM-A500 Grade B.

DSNR: 8UDEPBU OPER: S4D SCALE: 1=10.00
 i: 2004/04/30/officecheck/04330_C-Flume(EF).dgn
 plotted by: drp 9-8-2004

No.	Revisions	By	Date
CITY OF WICHITA, KANSAS FLUME DETAILS 9 TH STREET OVER WESTLINK TRIBUTARY PROJECT NO. 472-84021 SEDGWICK COUNTY			
Professional Engineering Consultants, P.A. 303 S. TOPEKA • WICHITA, KANSAS 67202 316-262-2691 • FAX 316-262-3003			
Designed by	RAS	Checked by	R.A.S.
Drawn by	W.L.L.	Date	June 2004 Job No. 04330