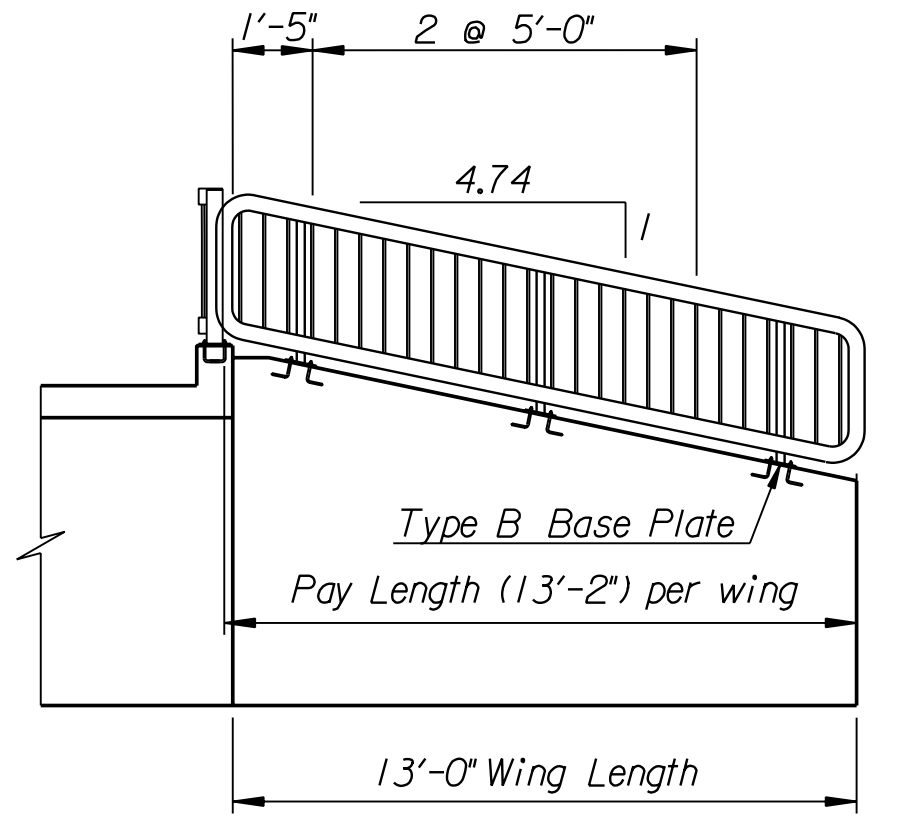
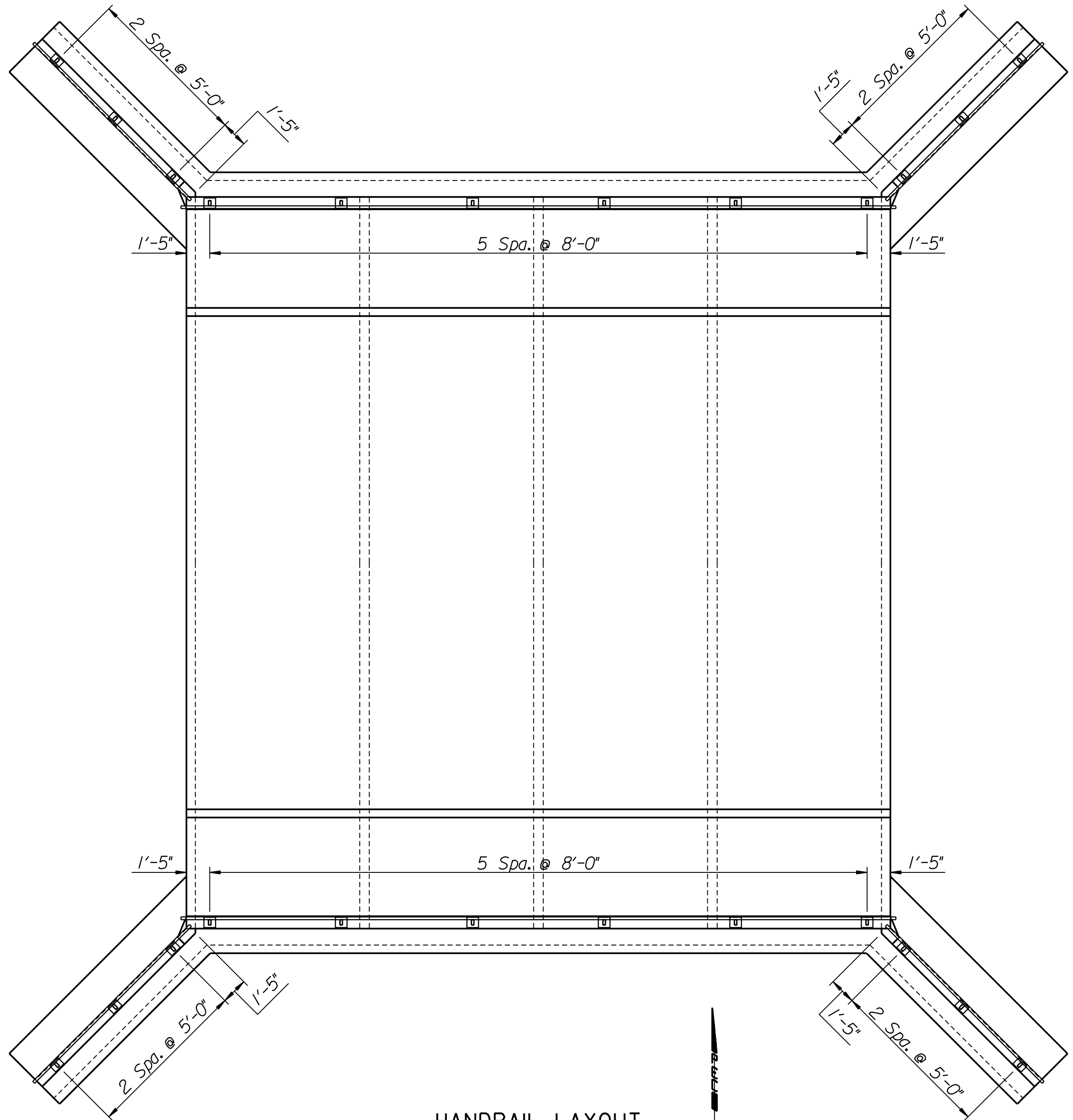


HANDRAIL ELEVATION

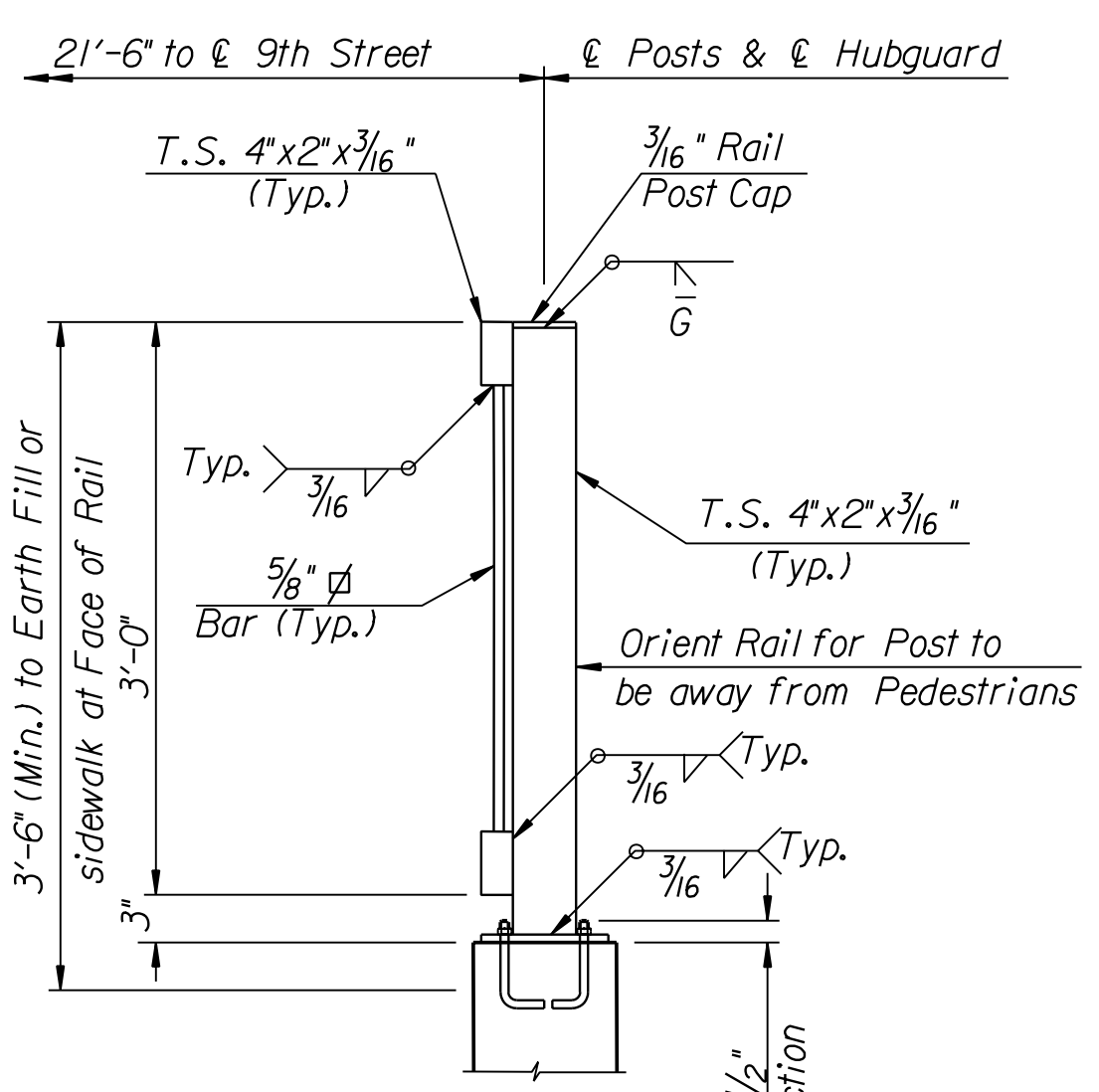


TYPICAL WING

(4 Required)
See Handrail Elevation for Typical Details

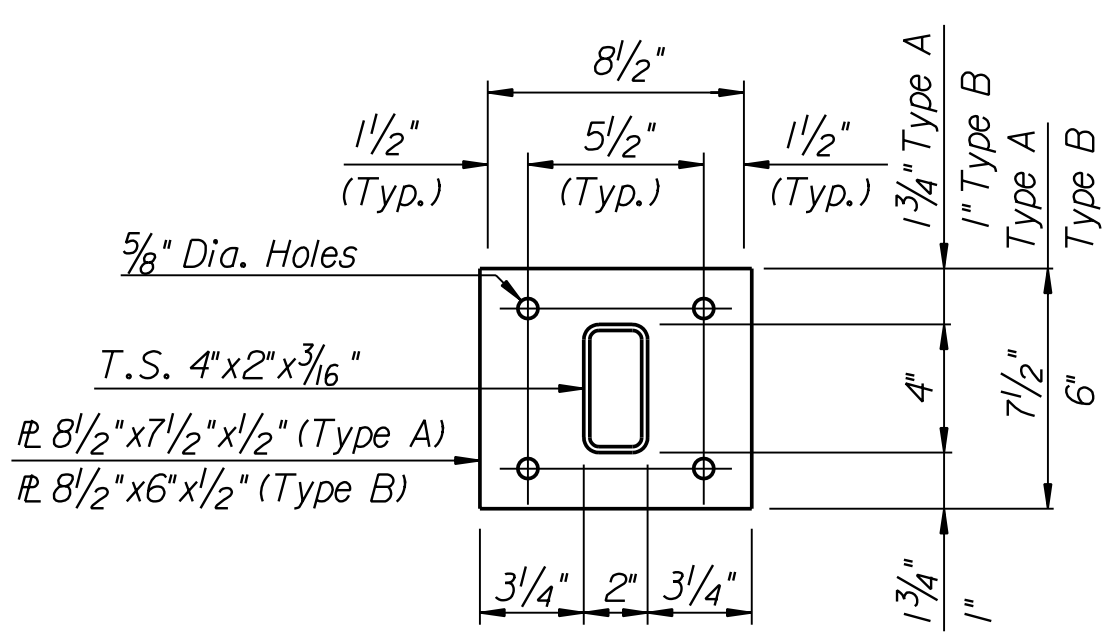


HANDRAIL LAYOUT



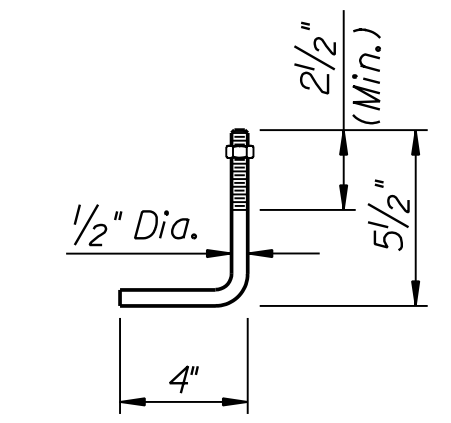
SECTION A-A

Note:
Rail Post on Hubguard shown.
Rail Posts on Wingwalls not shown
but similar controlling criteria.



BASE PLATE DETAIL

12 Required (Type A)
12 Required (Type B)



ANCHOR BOLT

Galvanized (ASTM A153)
(Orient to provide min. 1 1/2" edge clearance to either hubguard face/wingwall face or adjacent bolts)
(96 Required) May substitute expandable anchors when approved by the Engineer.

GENERAL NOTES

THE HORIZONTAL MEMBERS OF THE RAIL AND POSTS SHALL BE HOLLOW STRUCTURAL TUBING. ALL STRUCTURAL STEEL TUBING SHALL COMPLY TO A.S.T.M. DESIGNATION A36 OR A500 GR. B RESPECTIVELY.

RAIL SHALL BE FABRICATED IN LENGTHS AS SHOWN FROM JOINT TO JOINT AND JOINT TO END.

POSTS AND BARS SHALL BE SET VERTICAL AND SHIMMED IF REQUIRED.

PRIOR TO PAINTING ABRASIVE BLAST TO COMMERCIAL FINISH SSPC-SP6 TO OBTAIN A SURFACE PROFILE OF 1 1/2 MILS. THE SHOP AND FIELD COATS APPLIED TO STRUCTURAL STEEL SHALL CONFORM TO AN INORGANIC ZINC PRIMER WITH A WATER-BORNE ACRYLIC FINISH COAT. (THE FINISH COAT SHALL MATCH CARBOLINE #0516).

MATERIAL AND CONSTRUCTION SHALL CONFORM TO THE STRUCTURAL WELDING CODE A.W.S. D1.1-01.

SHOP DETAILS MUST BE SUBMITTED AND APPROVED BY THE ENGINEER.

SLOPE OF HANDRAIL SHALL MATCH THE SLOPE OF THE WINGWALL.

ALL WORK ASSOCIATED WITH FURNISHING AND INSTALLING HANDRAIL SHALL BE PAID FOR AS "BRIDGE HANDRAIL(STEEL)(PEDESTRIAN)".

BRIDGE HANDRAIL (STEEL)(PEDESTRIAN) 139.0 L.F.

No.	Revisions	By	Date
-----	-----------	----	------

CITY OF WICHITA, KANSAS
JAMES L. ARMOUR, P.E.-ACTING CITY ENGINEER
Br. No. 530400870CCWR50
PEDESTRIAN RAIL
Proj. No. 472-84021 SEDGWICK CO.

Professional Engineering Consultants, P.A.
303 S. TOPEKA • WICHITA, KANSAS 67202
316-262-2691 • FAX 316-262-3003

Designed by	R.A.S.	Checked by	M.S.N.
Drawn by	R.A.S.	Date	July 2004
		Job No.	04330

drawn by : RAS
plotted by : drp 9-8-2004
i:2004/04330/off/techeck/04330_C-Pedrail(EP).dgn