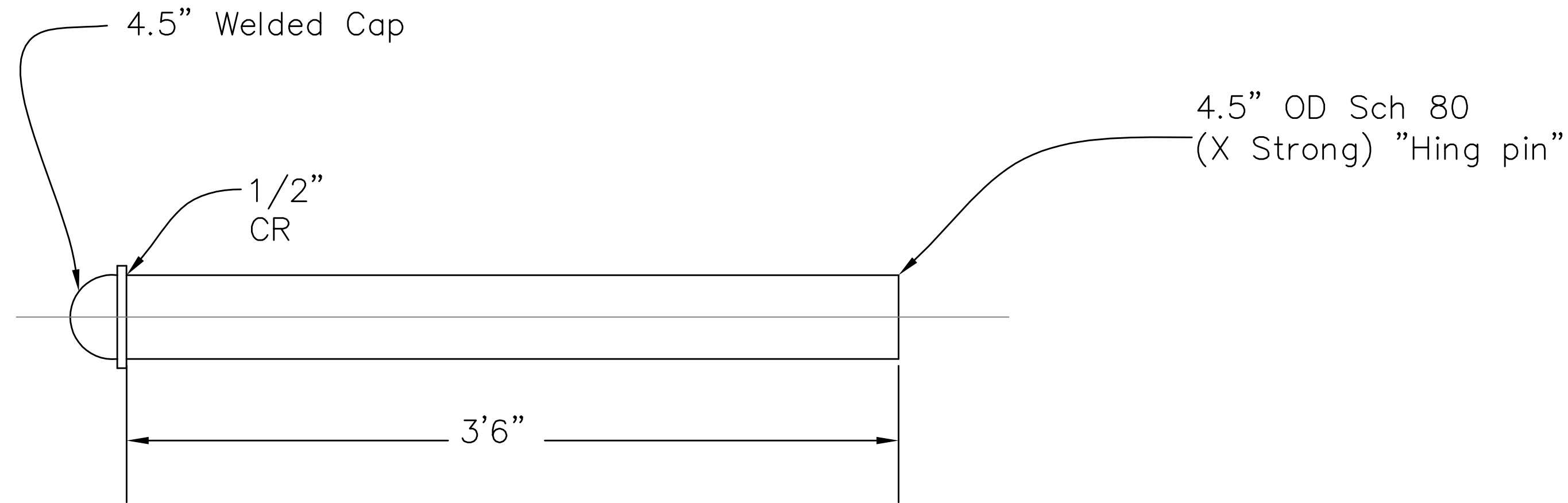
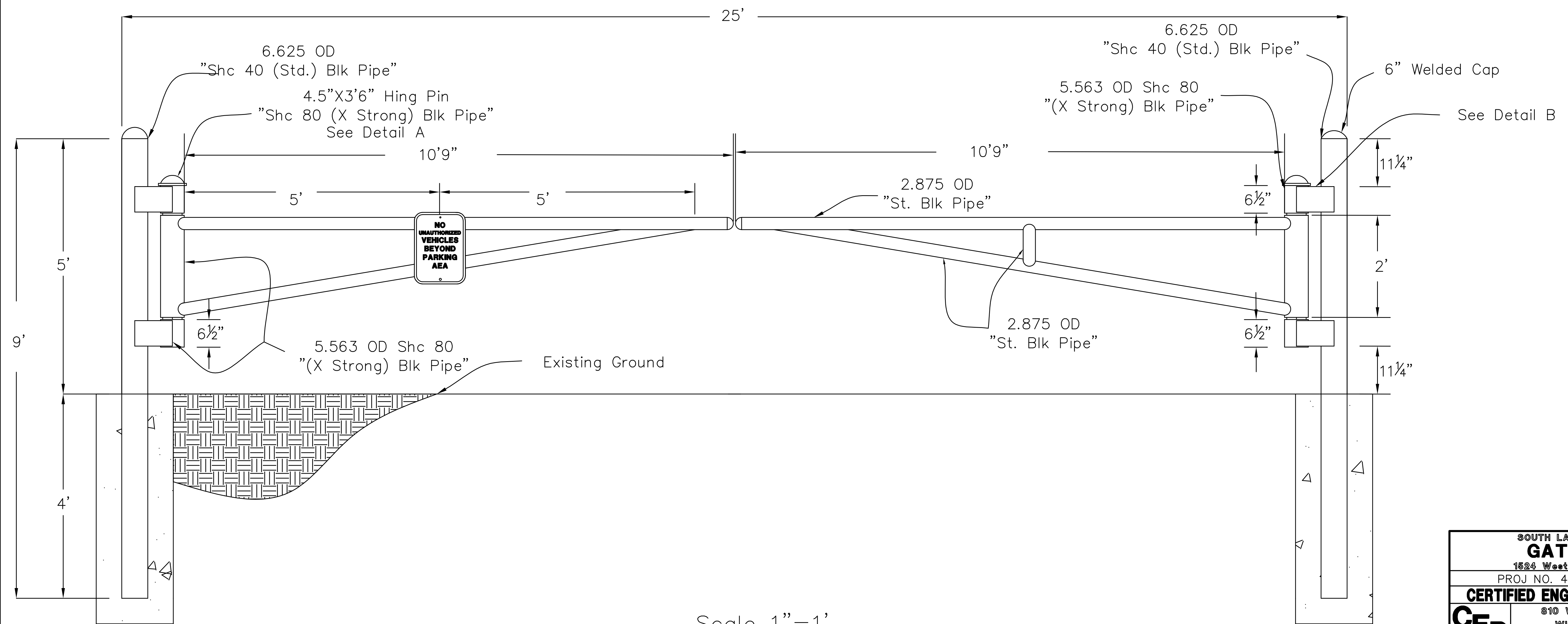
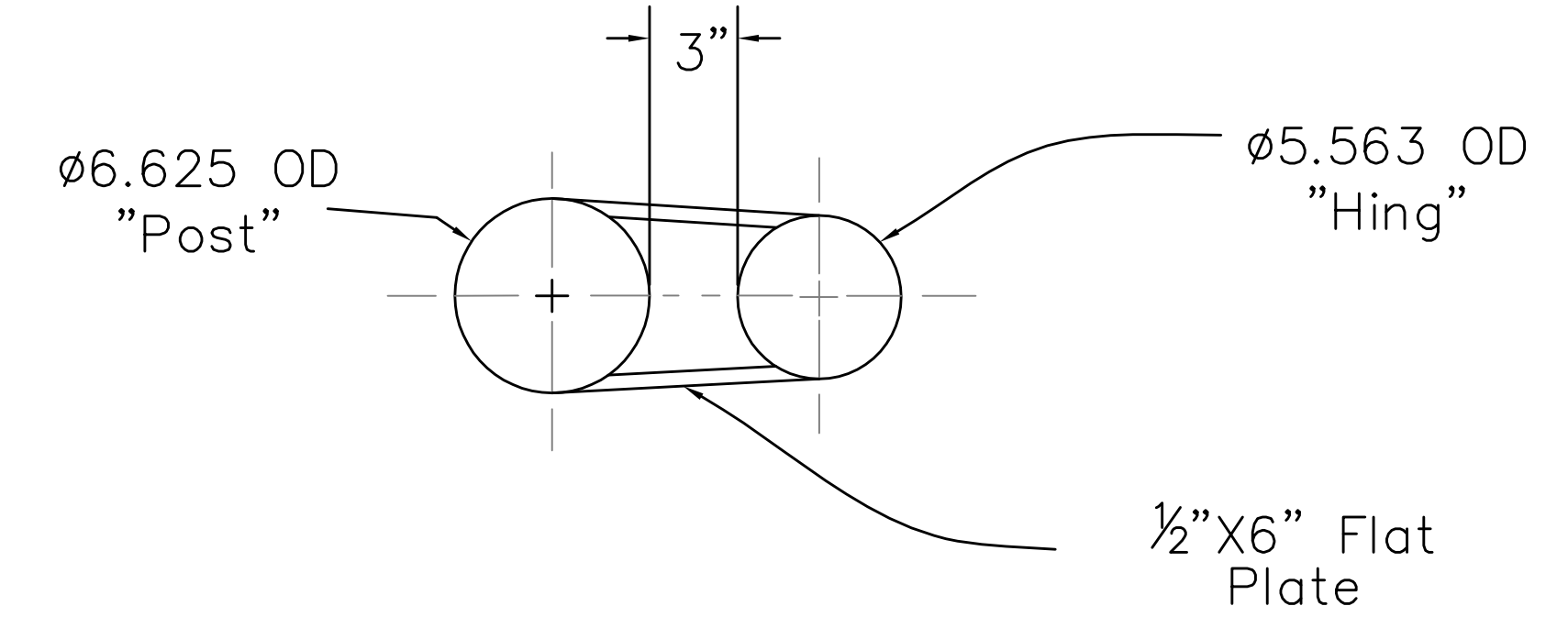


Detail A  
"Hing Pin"  
Scale 2:1



Detail B  
"Top of Post & Gate"  
Scale 2:1



Scale 1"=1'

SOUTH LAKES FISHING LAKE		
<b>GATE DETAIL</b>		
1624 West 55th Street South		
PROJ NO. 472-84196 (785044)		
<b>CERTIFIED ENGINEERING DESIGN, P.A.</b>		
810 WEST DOUGLAS, SUITE C		
WICHITA, KANSAS 67203		
PH.(316)262-8808 FAX.(316)262-1669		
DESIGNED: HDF	SCALE:	SHEET 7
DRAWN: BAP	DATE: 6/05	
CHECKED: HDF	CED FILE: SOUTHLAKE-BASE	TOTAL 7