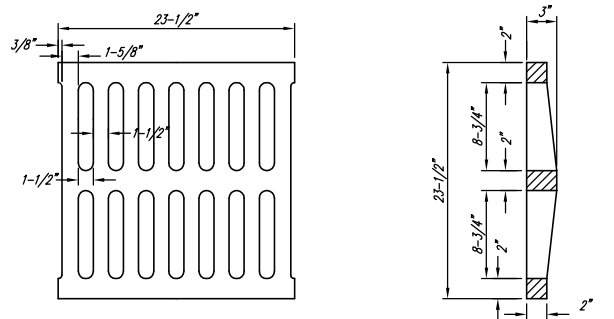
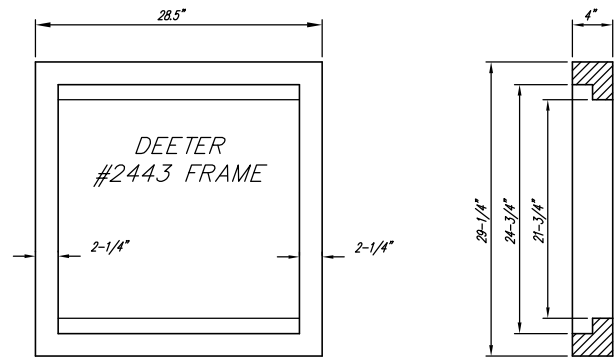


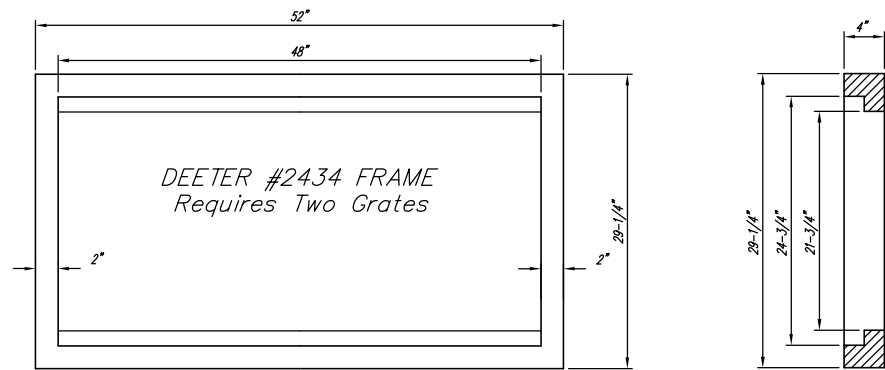
STATE	PROJECT NO.	YEAR	SHEET NO.	SHEETS
KANSAS	87 N-0235-01	2006	33	120



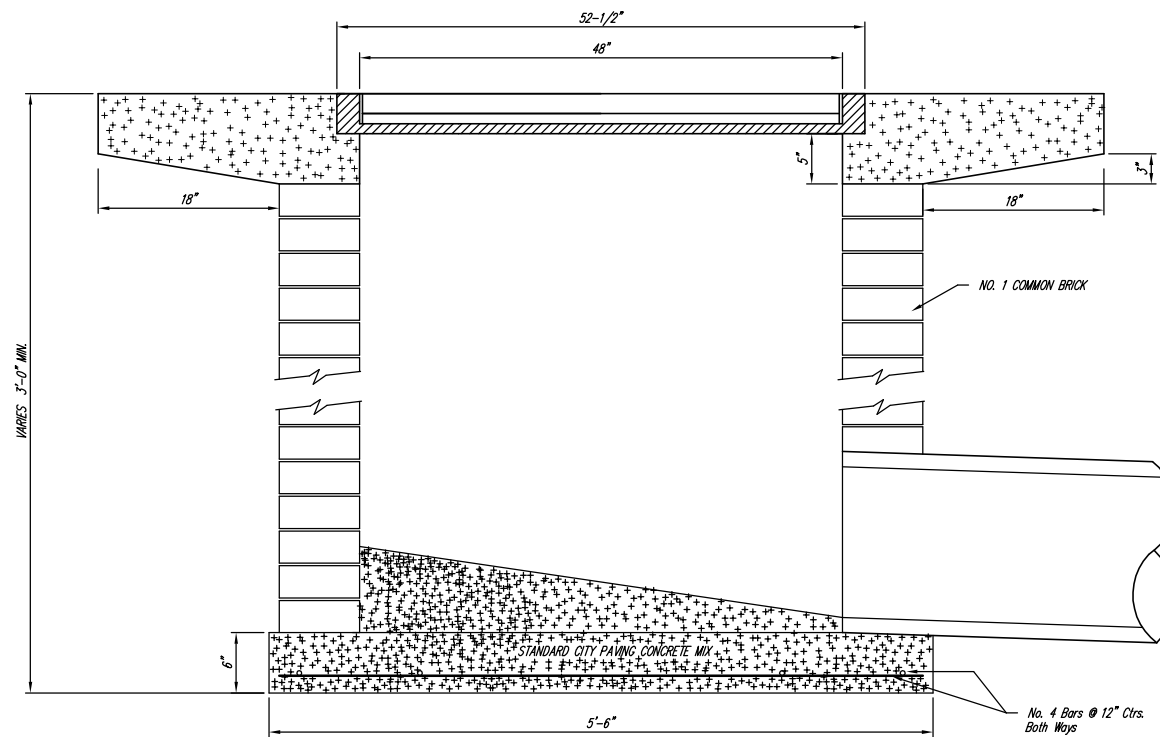
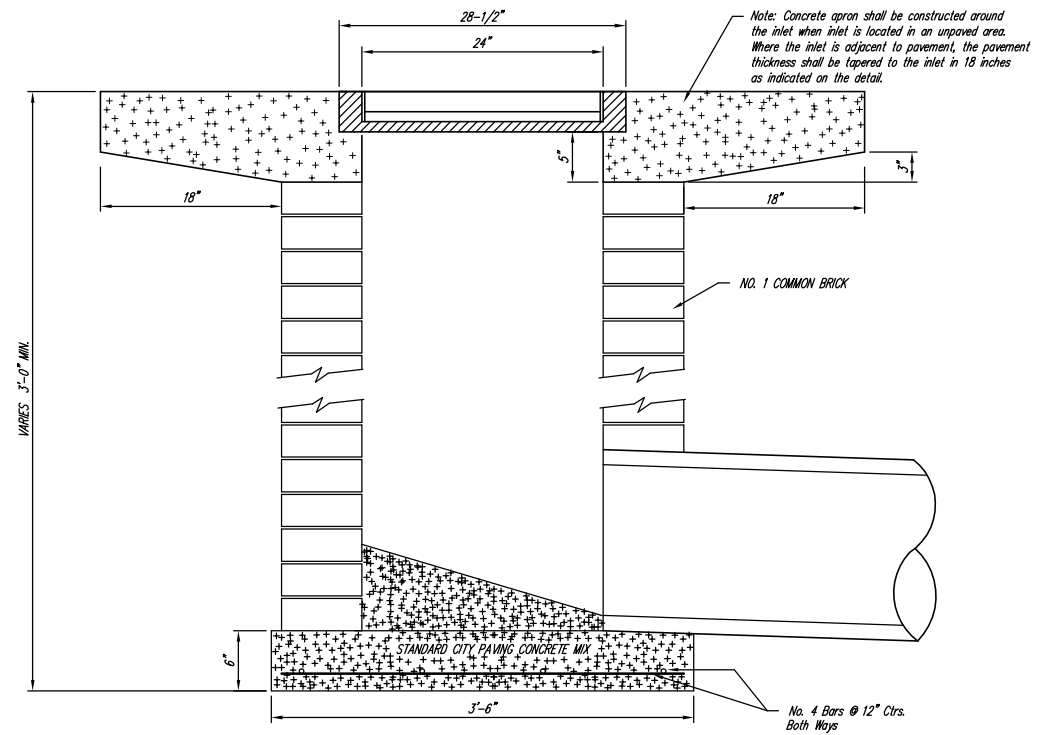
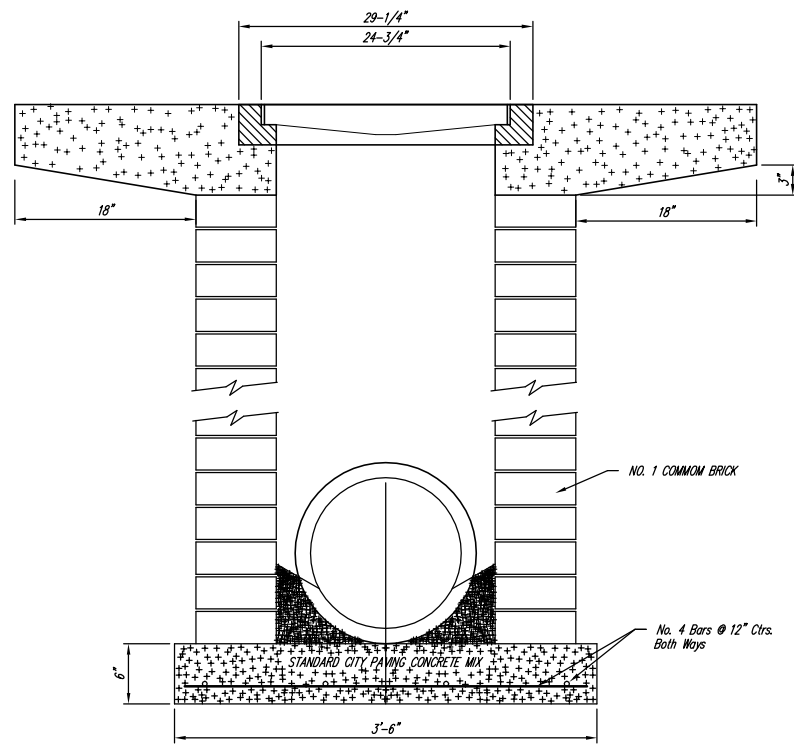
DEETER #2433 GRATE

24" x 24" Frame and Grate Detail

NOTE: Grates shall be imprinted on the top surface with "CITY OF WICHITA" using letters at least 1" in height. Other marking methods may be approved by the engineer.



Double 24" x 24" Frame Detail



J:\Civil\04222\dwg\Details\DROP INLET.DWG 6/15/2006 9:31:21 AM CST  
 KANSAS DEPARTMENT OF TRANSPORTATION  
**DROP INLET**  
 2' X 2' 2" X 4'  
 PROJECT NO. 87 N-0235-01 SEDGWICK CO.  
**M K E C ENGINEERING CONSULTANTS, INC.**  
 WICHITA, KANSAS

DESIGNED BY: JRA	CHECKED BY: JRA
DRAWN BY: WNJ	DATE: JULY 2004 SHEET 33 OF 120