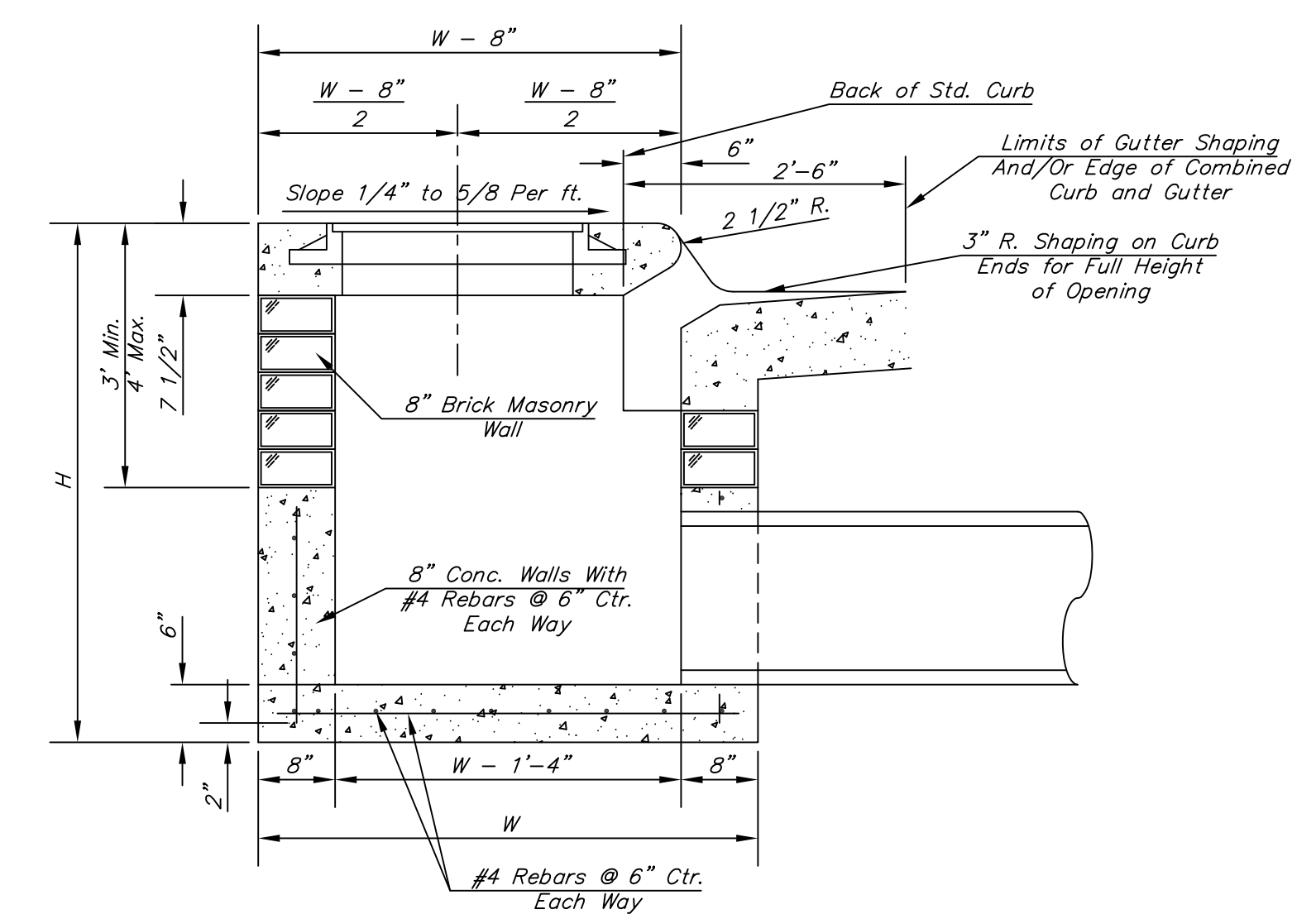
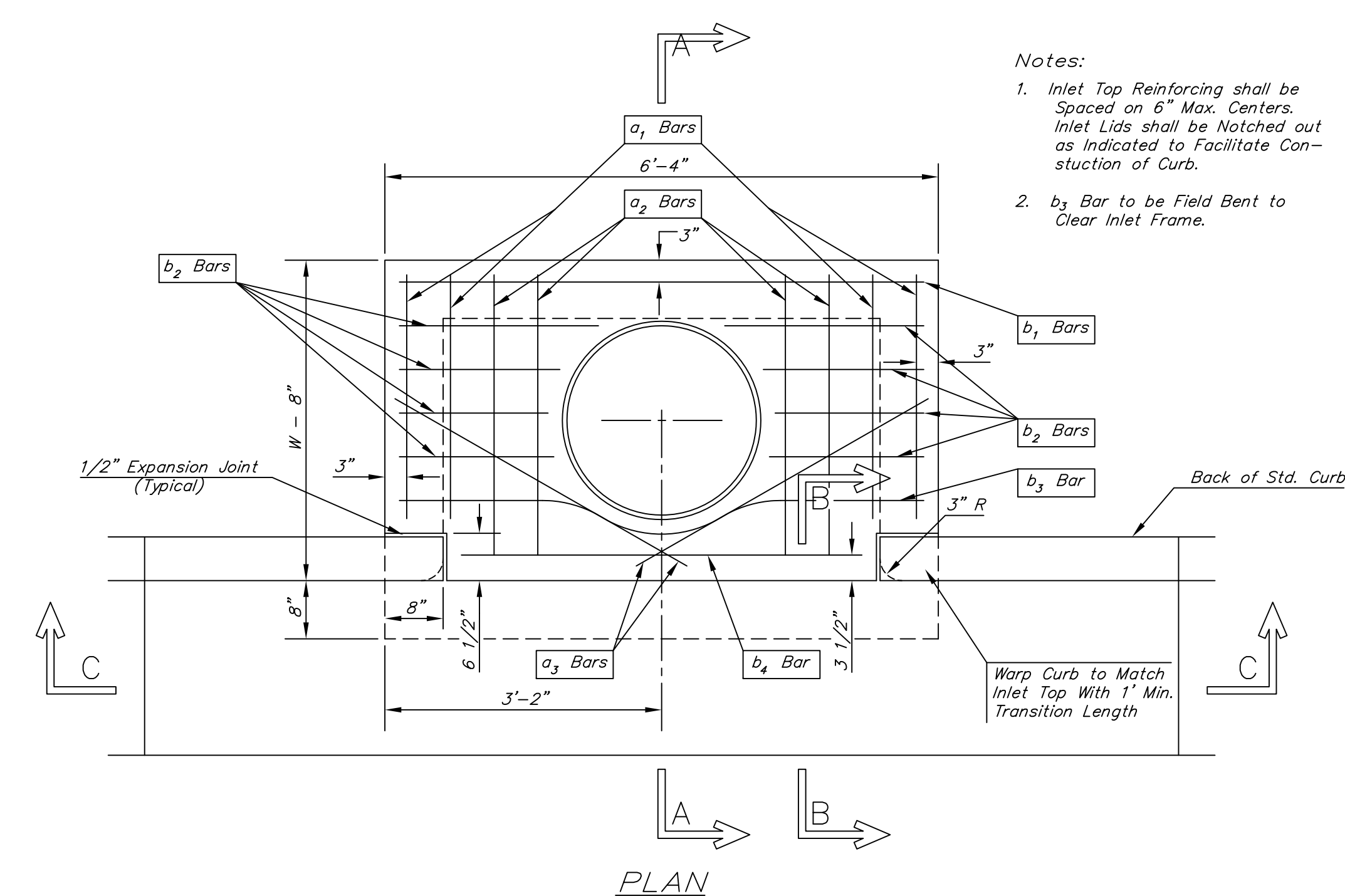


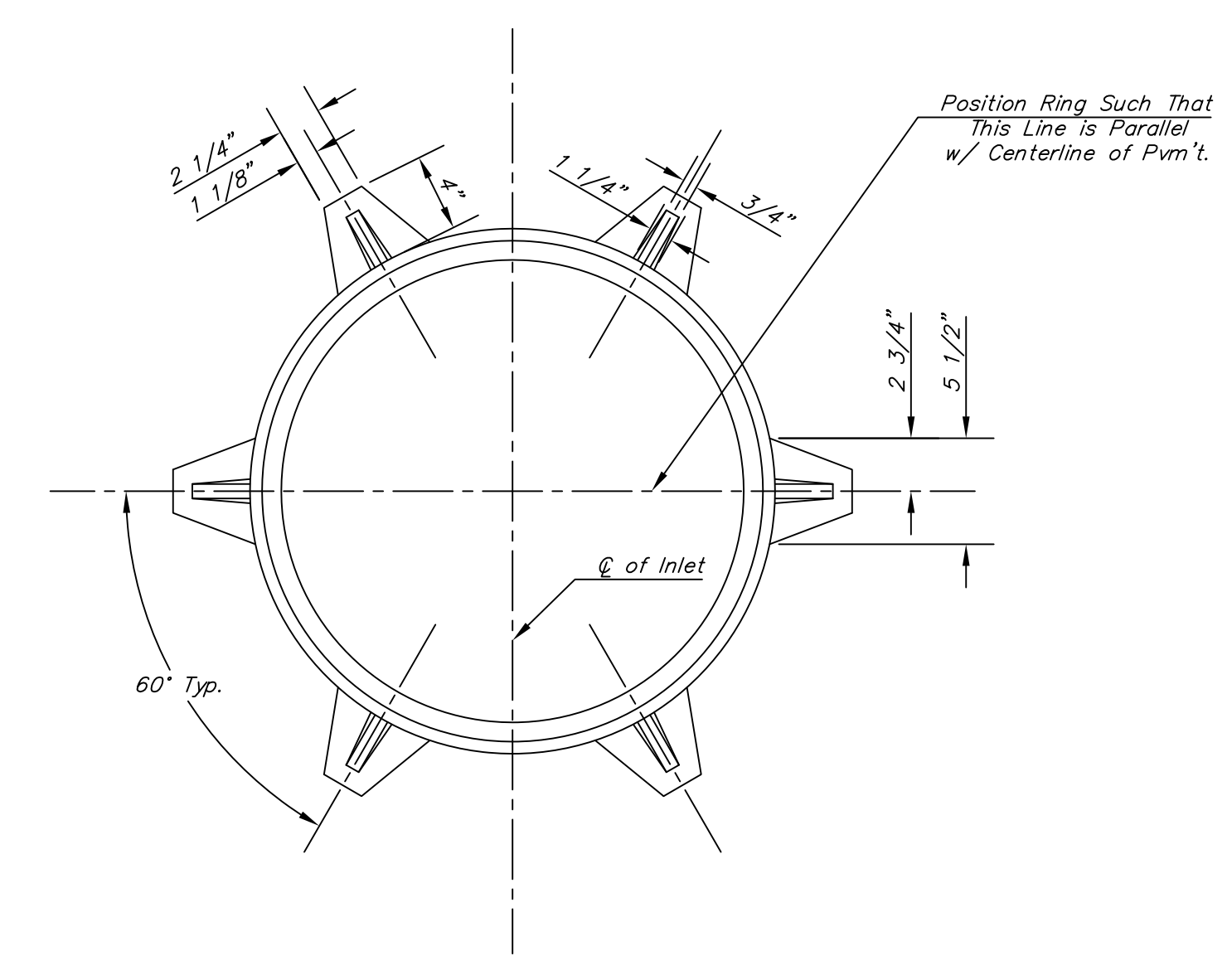
1300 E. Lewis  
Wichita KS 67211  
316.267.8233  
316.267.8566 fax  
krehbielarchitect  
ure.com

BETHEL HOUSE  
RESIDENT ACTIVITY CENTER  
553 S. HOLLAND LANE  
WICHITA, KANSAS

C4.8

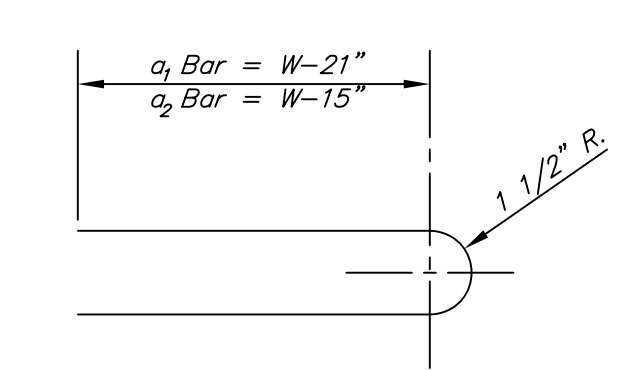


SECTION A-A

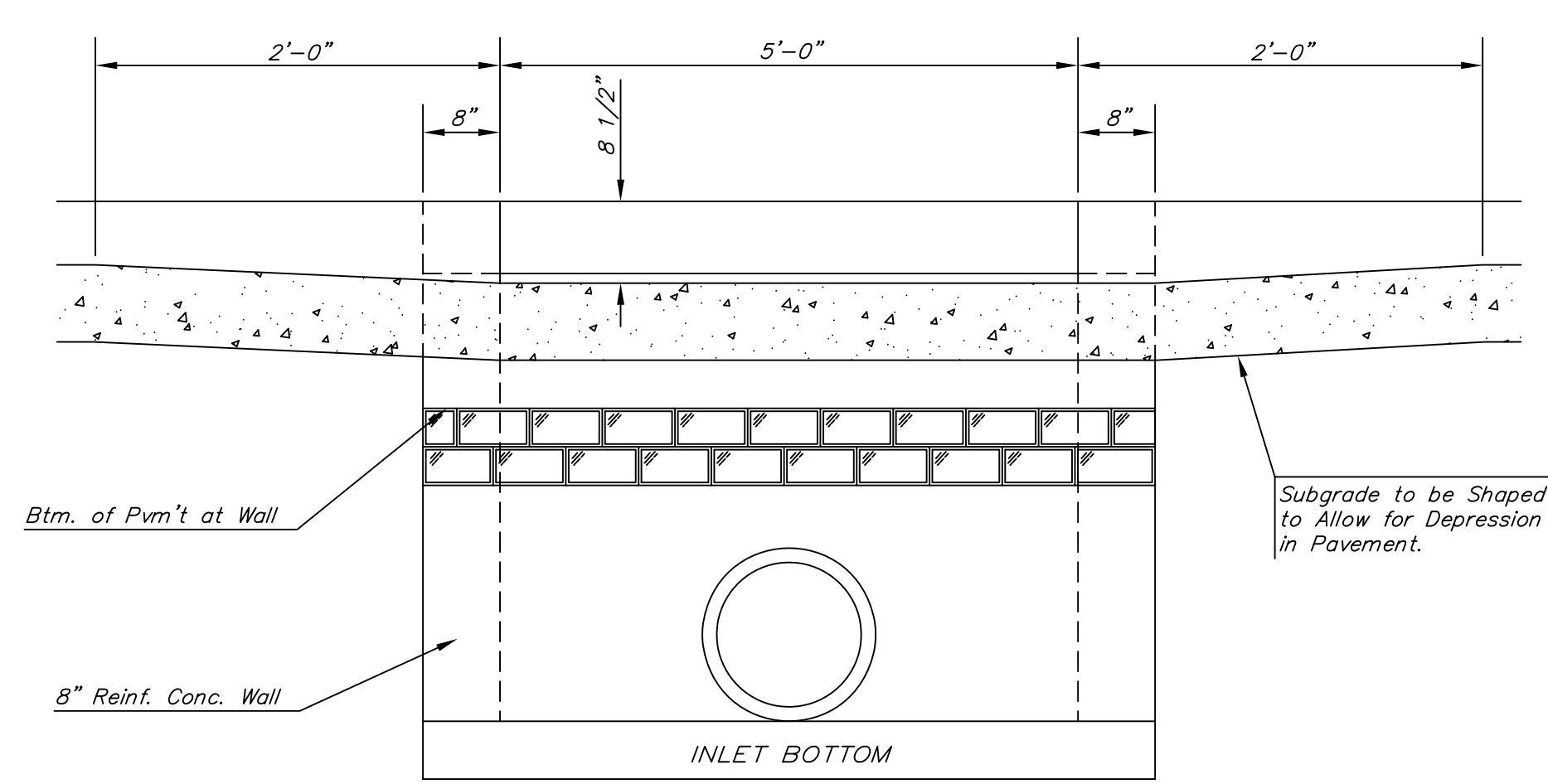


MANHOLE RING AND COVER

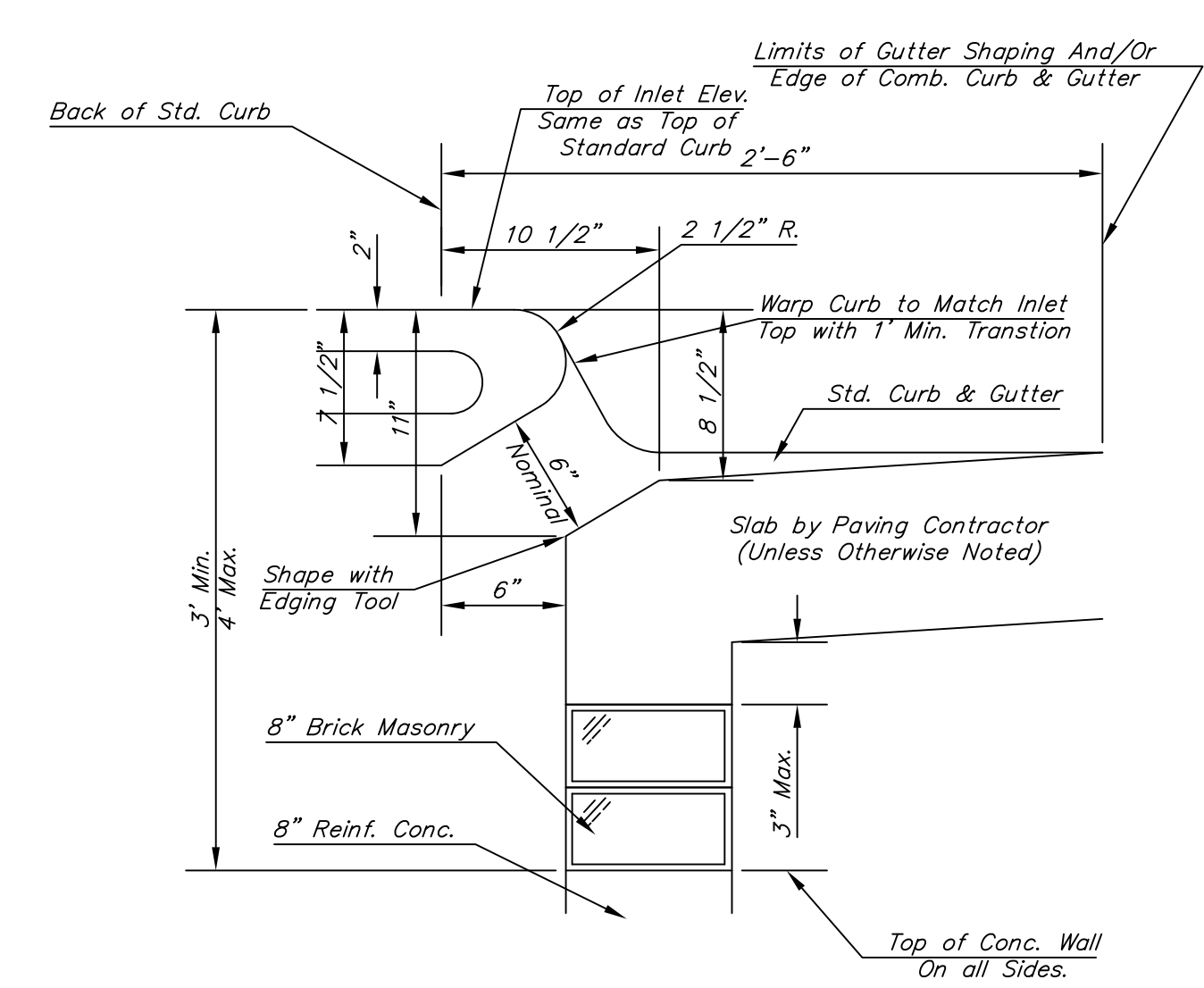
\*See City of Wichita Standard Manhole Ring and Cover Detail Sheet for Cover Details to Be Used With Inlet Frame.



BENDING DIAGRAM



SECTION C-C



SECTION B-B

STEEL SCHEDULE

BAR NUMBER	a <sub>1</sub>			b <sub>1</sub>				b <sub>2</sub>	b <sub>3</sub>	b <sub>4</sub>	Wt. Lbs.	
	a <sub>1</sub>	a <sub>2</sub>	a <sub>3</sub>	W=4'-4"	W=5'-4"	W=6'-4"	W=7'-4"					W=8'-4"
4	4	2	1	3	5	7	9	6	1	1		
SIZE	#4	#4	#4	#4	#4	#4	#4	#4	#4	#6		
LENGTH	W=4'-4"	5'-7"	6'-7"	4'-0"	6'-1"	-	-	-	1'-9"	6'-2"	4'-8"	60±
	W=5'-4"	7'-7"	8'-7"	5'-0"	6'-1"	-	-	-	1'-9"	6'-2"	4'-8"	81±
	W=6'-4"	9'-7"	10'-7"	6'-0"	-	6'-1"	-	-	1'-9"	6'-2"	4'-8"	101±
	W=7'-4"	11'-7"	12'-7"	7'-0"	-	-	6'-1"	-	1'-9"	6'-2"	4'-8"	121±
	W=8'-4"	13'-7"	14'-7"	8'-0"	-	-	-	6'-1"	1'-9"	6'-2"	4'-8"	141±

Note: a<sub>3</sub> Bars to be Placed Approx. 2" Below Top of Inlet Cover.

W	PRE-CAST TOP SIZE	PIPE SIZE	CU. YD. CONC.
4'-4"	3'-8" 6'-4" 7 1/2"	21" & SMALLER	0.38±
5'-4"	4'-8" 6'-4" 7 1/2"	24" & 30"	0.51±
6'-4"	5'-8" 6'-4" 7 1/2"	36" & 42"	0.64±
7'-4"	6'-8" 6'-4" 7 1/2"	48" & 54"	0.77±
8'-4"	7'-8" 6'-4" 7 1/2"	60" & 66"	0.90±

GENERAL NOTES

- Concrete tops to be installed on thin mortar cushion to insure full support along brick walls. Concrete tops may be cast in place or precast. Concrete used for inlet construction shall be concrete pavement mix.
- Contractor shall have the option of constructing 8" brick masonry walls between the concrete inlet base and top on this inlet when W=6'-4" and H=7'-0" or less.
- Inlet invert shall be shaped with 8 sack sand mix concrete to create flow channels and to increase hydraulic efficiency such that the inlet will be self cleaning between all inlet and/or outlet pipes.
- The ends of all pipes installed in inlets shall be cut off flush with the inside face of the inlet wall.

THE CITY OF WICHITA  
CITY ENGINEER'S OFFICE  
CITY HALL - SEVENTH FLOOR  
455 NORTH MAIN STREET  
WICHITA, KANSAS 67202  
(316) 268-4800  
(316) 268-4114 FAX

STANDARD TYPE 1  
CURB INLET  
OPENING = 6" x 5'-0"