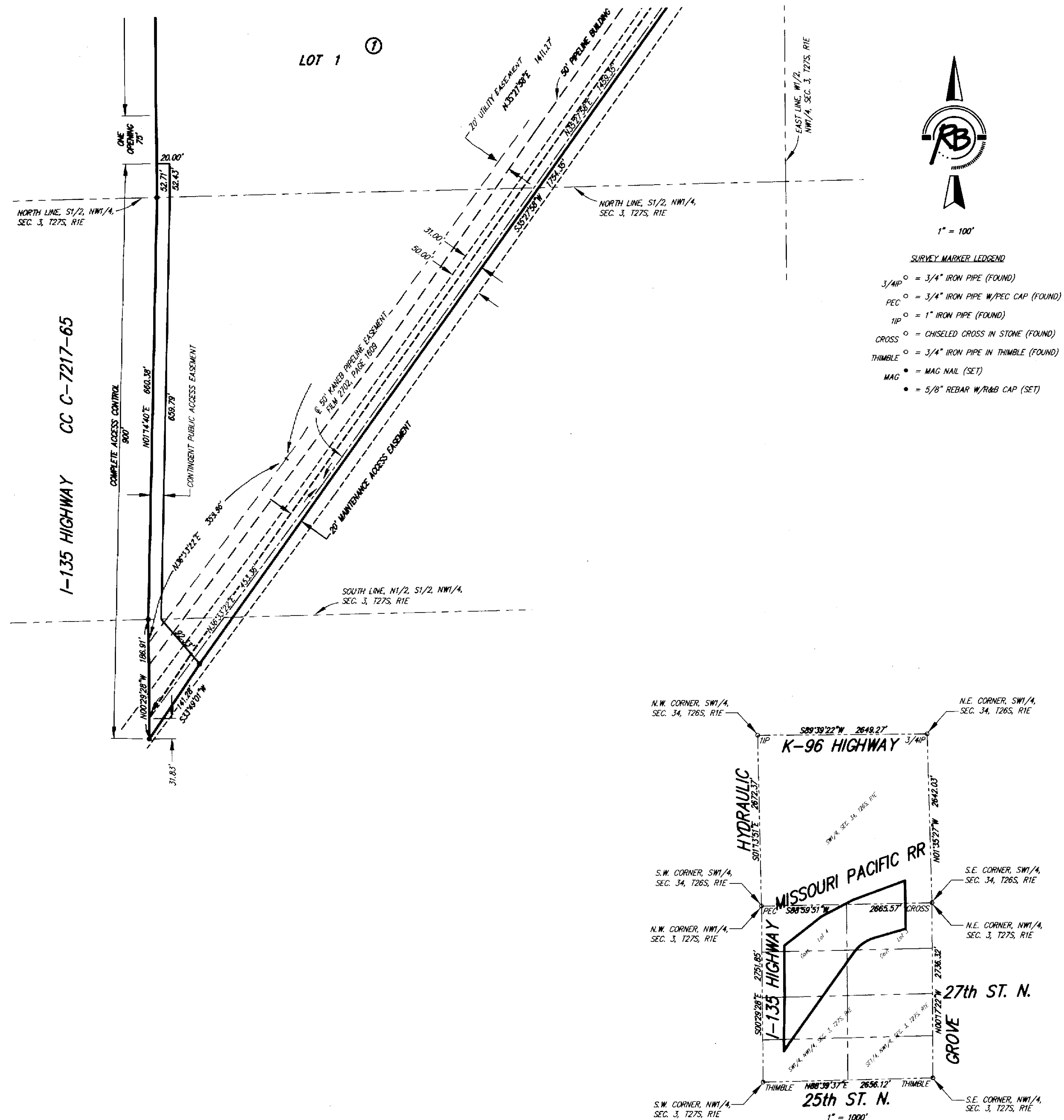


HEARTLAND PREPAREDNESS CENTER

An Addition to Wichita, Sedgwick County, Kansas



Saved: 03-22-2010 10:38:29 AM by JLM
 Plot Scale: 1:100 07-01-2010 10:25:00 AM by JLM
 G:\2009\09307\000\SS\09307-C-HeartlandPreparednessCenter\Plot1.dwg

No.	Revision	By	Date
HEARTLAND PREPAREDNESS CENTER LATERAL 127, SS #23 PLAT JAMES L. ARMOUR, P.E. - CITY ENGINEER CITY OF WICHITA PROJECT NO. 468-84675 Professional Engineering Consultants, P.A. 303 S. TOPEKA • WICHITA, KANSAS 67202 316-262-2691 • FAX 316-262-3003			
Designed by Ruggles & Bohm, P.A.		Job No. 35-09307-259	
Drawn by		Date	Sht. 4 of 12
		January 2010	