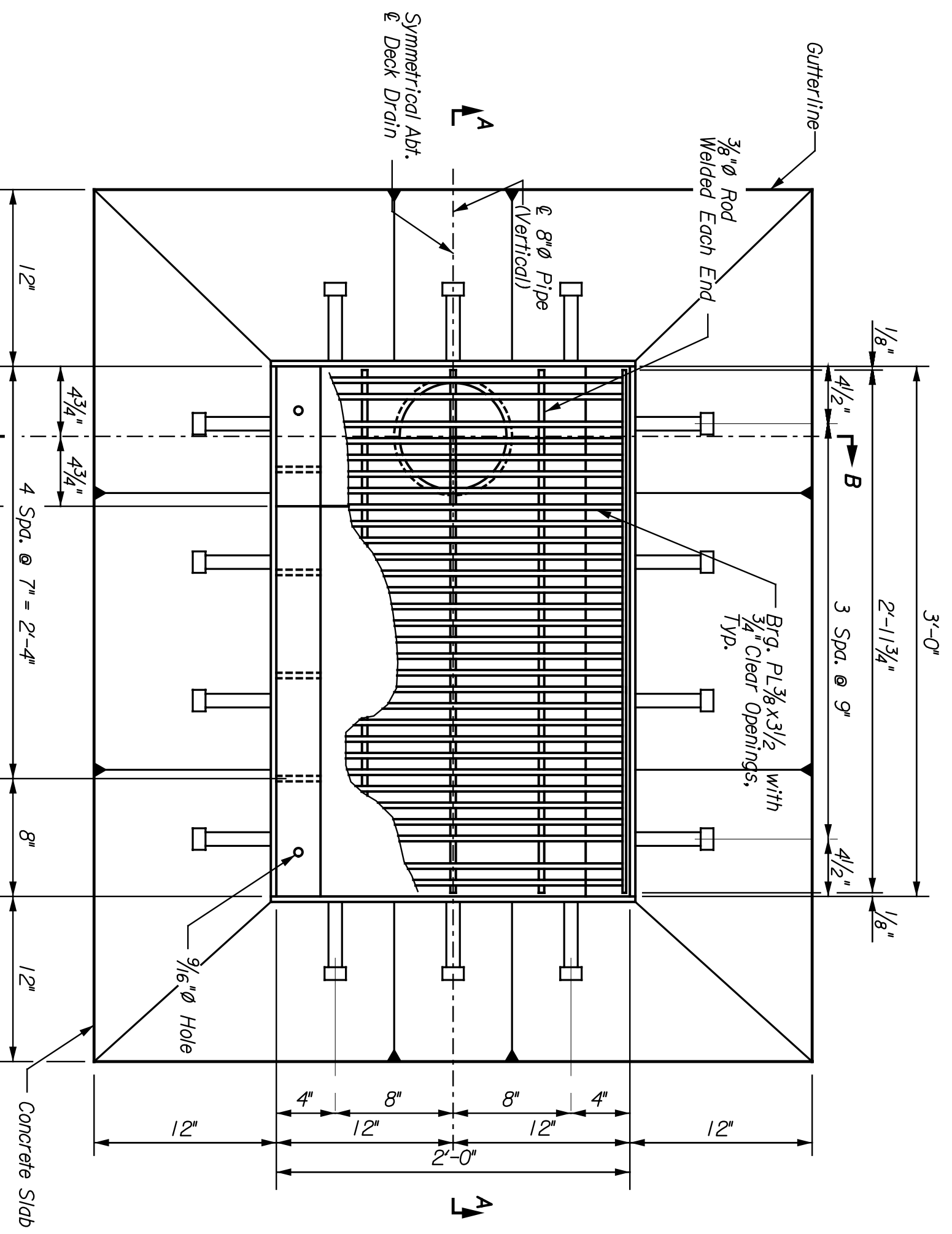


	BY	DATE

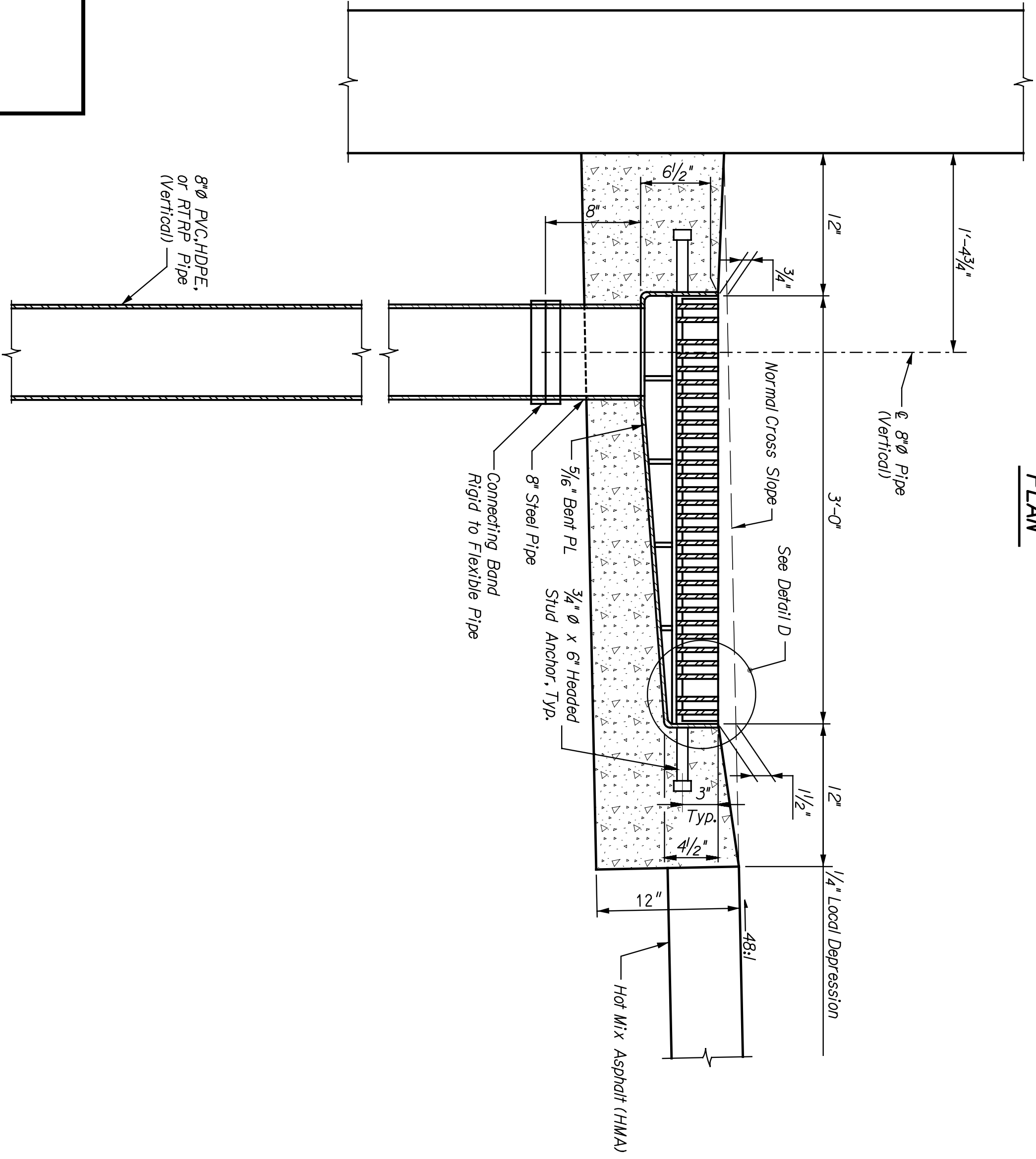
Plotted on: Tuesday, January 04, 2005 8:23:34 AM
 J0raham Plot Queue: \\cbswi00\KC029049-PS
 Plot Scale: 16,000000h,000000 Pen Table: m:\Jobs\29049\TechProd\Railroad\plots\fullsize.pen
 Design Filename: M:\Jobs\29049\TechProd\Railroad\Drawings\Plan_B\Details\wc_deck_drains.dgn

HNTEB
 ARCHITECTS ENGINEERS PLANNERS

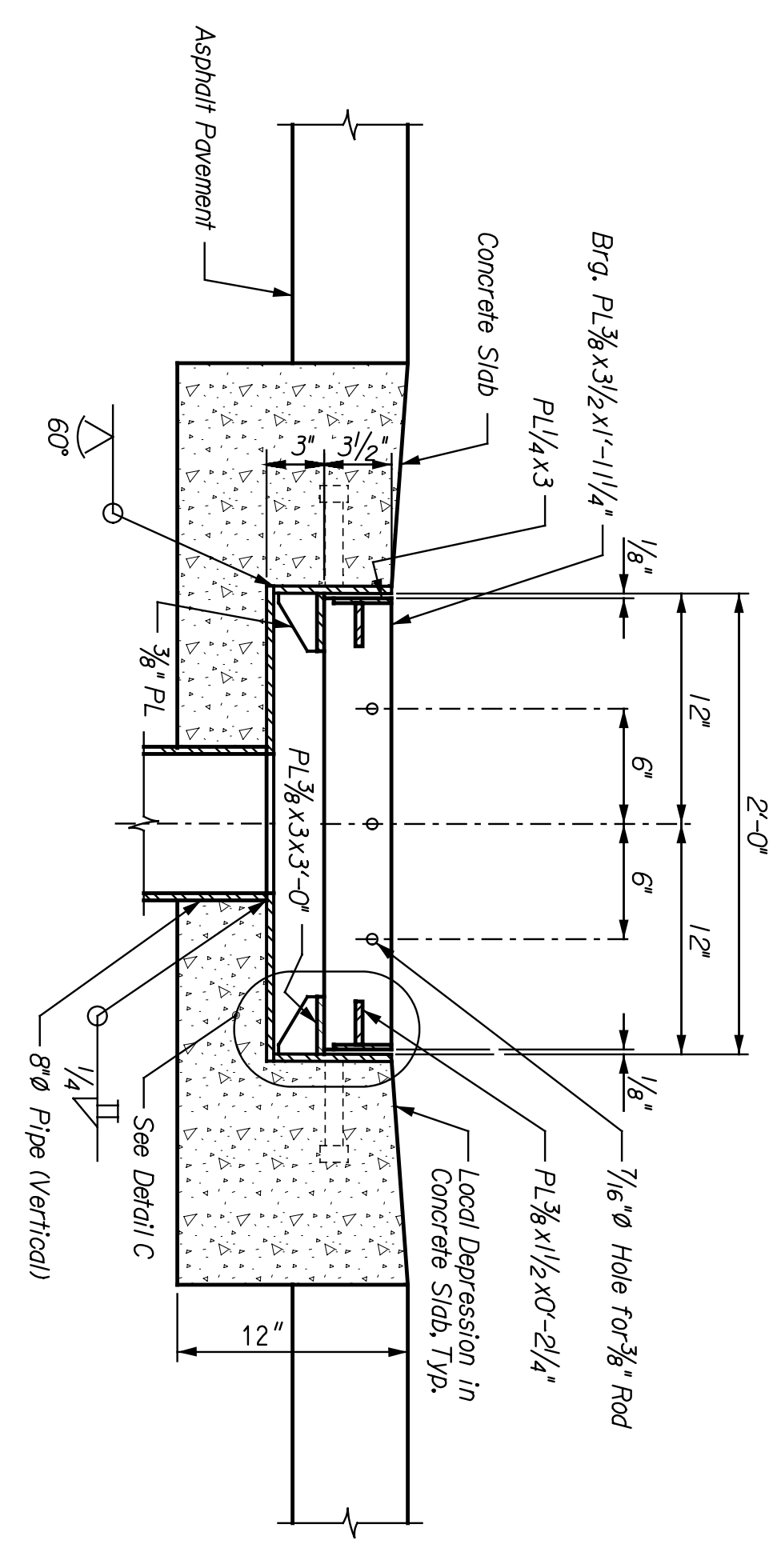
This sheet designed by:



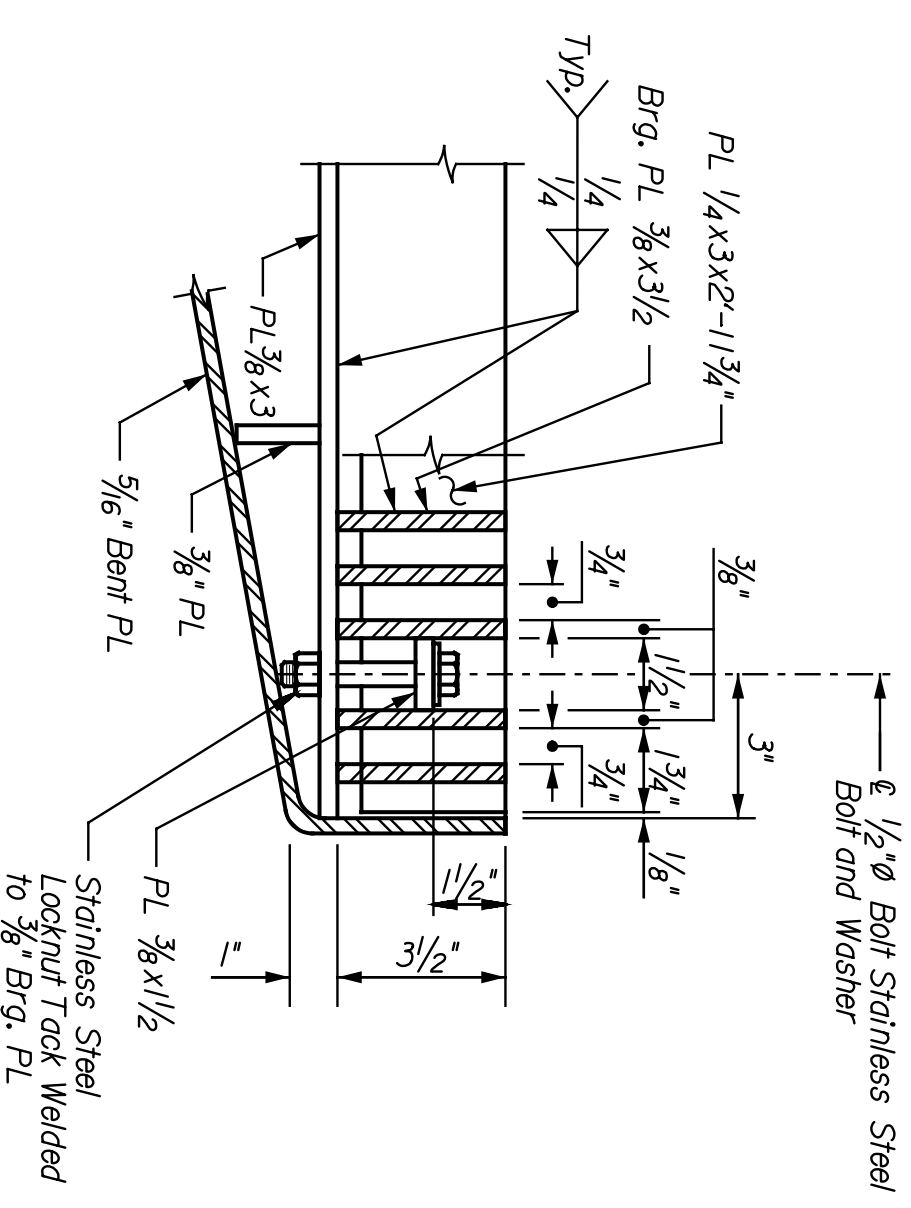
PLAN



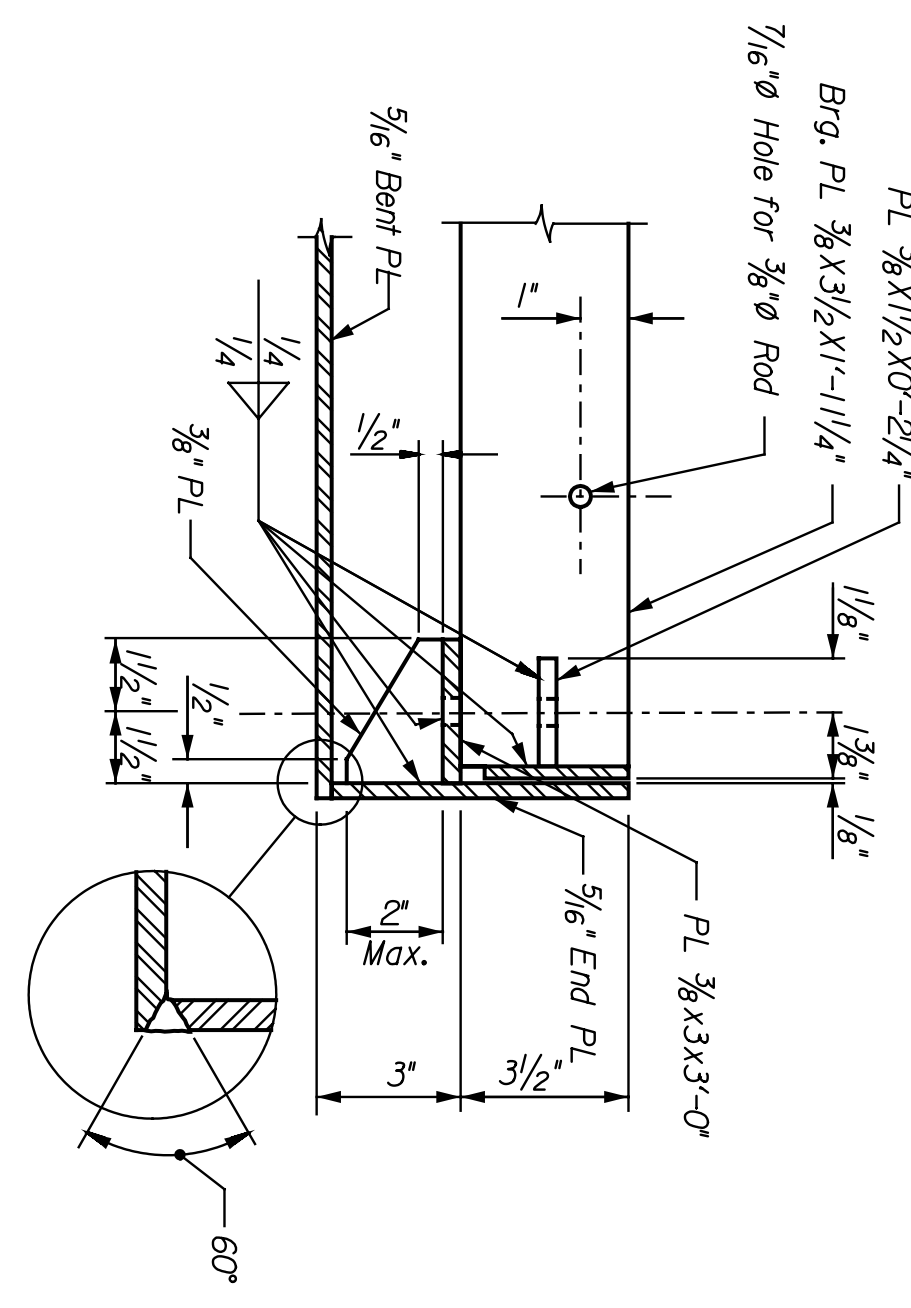
SECTION A-A



SECTION B-B



DETAIL D



DETAIL C

NOTES:
 ALL STRUCTURAL STEEL FOR DECK DRAINS SHALL BE ASTM A709, GRADE 36, EXCEPT AS NOTED.
 ALL NUTS, WASHERS AND BOLTS SHALL BE STAINLESS STEEL, EXCEPT AS NOTED.
 STEEL PIPE SHALL BE ASTM A53, SCHEDULE 40, GALVANIZED IN ACCORDANCE WITH ASTM A123.
 DECK DRAINS SHALL BE GALVANIZED AFTER FABRICATION IN ACCORDANCE WITH ASTM A123.
 DECK DRAINS ARE DIMENSIONED ALONG GUTTERLINE.
 SHOP DRAWINGS WILL BE REQUIRED FOR THE DECK DRAINS AND PIPING.
 DECK DRAIN LOCATIONS SHALL BE SHIFTED SLIGHTLY AS REQUIRED TO MISS MODULE SIDE WALLS OR WALL STEMS. WALL SUPPLEY SHALL INDICATE LOCATIONS OF PAN DRAINS AND OUTLET PIPE HOLES ON THEIR DRAWINGS.

STATE	PROJECT NO.	YEAR	SHEET NO.	TOTAL SHEETS
KANSAS	472-84071	2005	RS.2	

SHEET NO. OF		SCALE		APPD.	
DESIGNED	ASB	DETAILED	JDS	QUANTITIES	TRACED
DESIGN CR.	RSB	DETAIL CR.	REP	QUAN/CHK.	TRACED CR.
CITY OF WICHITA					
WICHITA CENTRAL CORRIDOR					
DECK DRAIN DETAILS					
REVISIONS					
NO.	DATE	BY	APPD.		
1					
2					
3					