

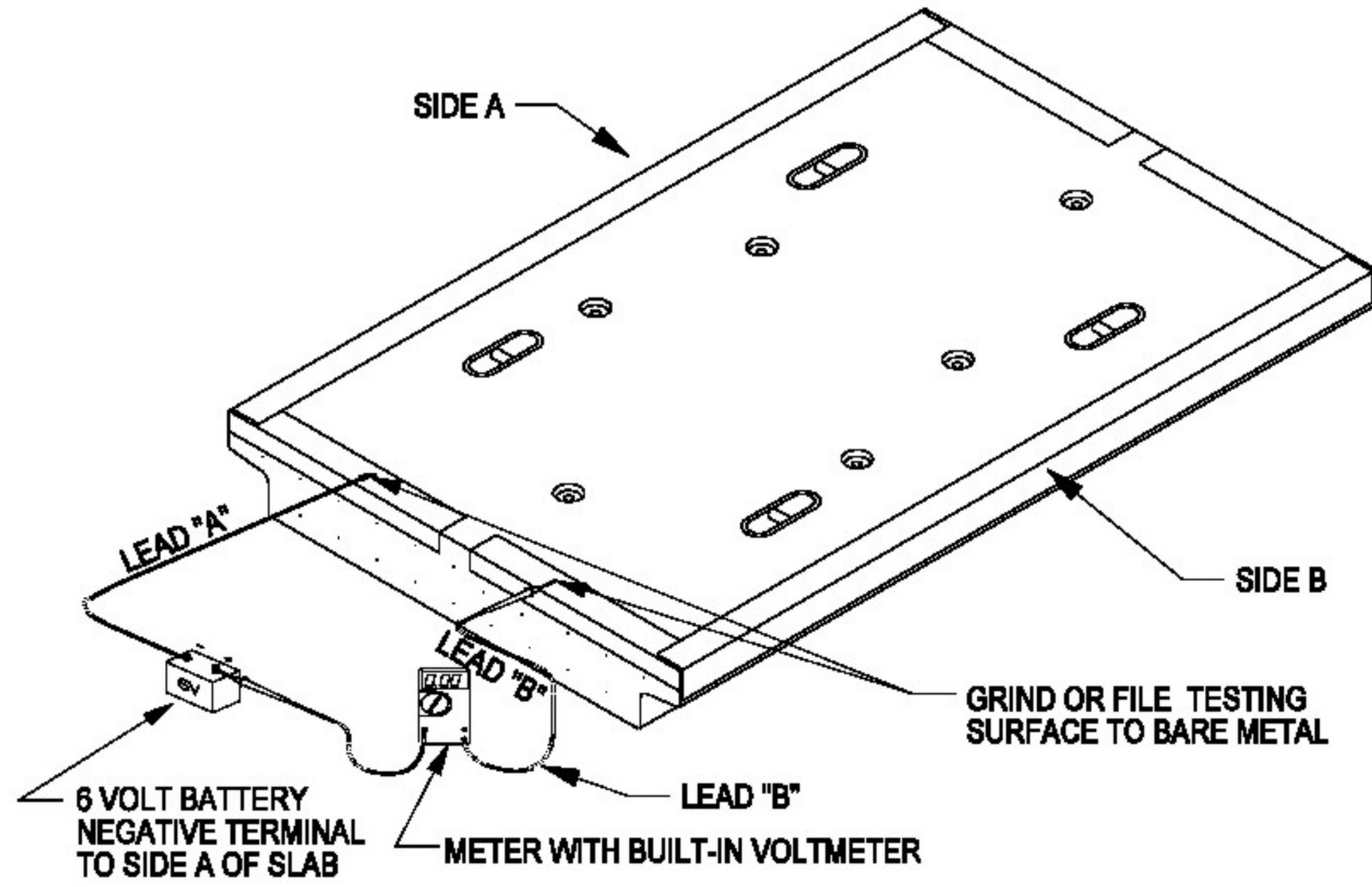
	BY	DATE



ARCHITECTS ENGINEERS PLANNERS

This sheet designed by:

200903



STANDARD ELECTRICAL TEST

ELECTRICAL TEST STEPS:

1. BATTERY SHALL BE 5.0 (FIVE) AMPS OR GREATER.
2. SLABS ARE READY FOR TESTING WHEN 72 HOURS HAVE ELAPSED FROM CASTING OF CONCRETE.
3. MUST BE LESS THAN 2.0 (TWO) AMPS TO PASS THE TEST. RE-TEST AFTER TWO (2) DAYS IF GREATER THAN 2.0 (TWO) AMPS. REJECT IF AMPERAGE REMAINS ABOVE 2.0 (TWO) AMPS.
4. 0.3-0.4 AMPS IS A NORMAL READING. 2.0 (TWO) AMPS OR LESS PASS THE TEST.



COMMON STANDARDS



SHUNT RESISTANCE TEST FOR CONCRETE PANELS

FILE OWNER: UPRR	DATE: APRIL 24, 2001
REV. NO.: 0	DWG NO: 200903

SHEET NO.	OF	SCALE	APP'D.	QUANTITIES	TRACED
DESIGNED BY	DETAILED BY	DATE	DESIGN OK.	DRAWN OK.	TRACE OK.
CITY OF WICHITA WICHITA CENTRAL CORRIDOR PRECAST CONCRETE CROSSING BNSF / UPRR COMMON STANDARDS					
NO.	DATE	REVISIONS	BY	APP'D.	
1					
2					
3					

STATE	PROJECT NO.	YEAR	SHEET NO.	TOTAL SHEETS
KANSAS	472-84071	2005	RS/10	