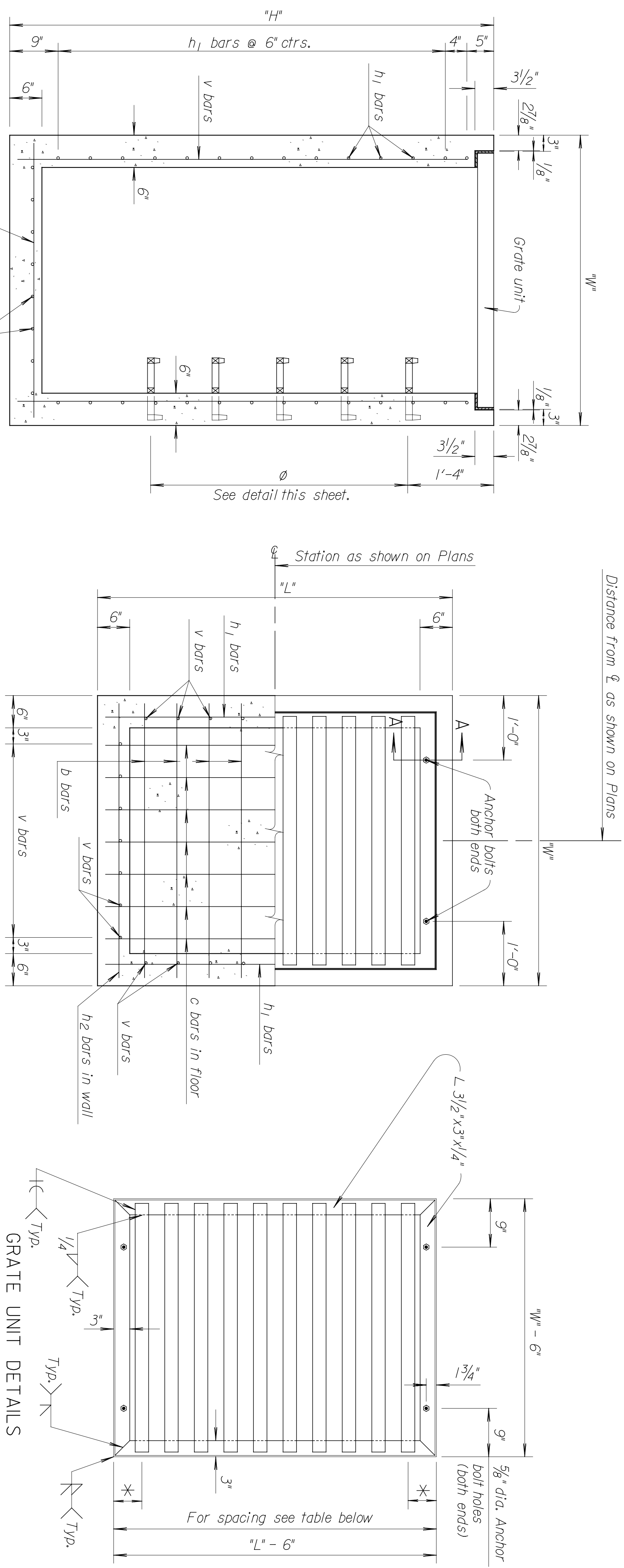


FORMA REGION NO.	STATE	PROJECT NO.	YEAR	SHEET NO.	TOTAL SHEETS
7	KANSAS	472-94011	2005	RS.16	

GENERAL NOTE

Use Grade 3.6 Concrete throughout. All exposed edges shall be finished with an edging tool.
 At the contractor's option, Grade 3.6 Concrete (A/E) or mix used in concrete pavement may be used throughout.
 In general, pipes will enter and leave the manhole at various positions. Where possible bend bars around pipes.
 Floor of inlet shall be shaped as shown in various "Examples" on Reinforced Concrete Manhole Standard Drawing. See Sheet S6.7 in Volume 3. Concrete used for shaping shall be unreinforced Grade 3.6 Concrete or concrete pavement mix. No addition in concrete quantities shall be made for shaping floor of inlets.
 Manhole steps, where used, shall be placed to afford easy access to top of shaped invert.
 No deductions in concrete quantities shall be made for pipe openings.
 All bars are #4 @ 6" spacing and shall have a minimum clearance of 1 1/2" unless otherwise noted on the plans.
 The top of the manhole shall be sloped slightly to approximately fit the ground line or other conditions as directed by the Engineer.
 Steps shall be installed on all storm sewer inlets when specified in the plans or when "H" is equal to or greater than six feet. Steps shall comply with the KDOT Standard Specification.
 The grate shall be fabricated from standard or commercial grade structural steel and black steel pipe. The unit shall be hot dipped, galvanized after fabrication, in accordance with ASTM A123 except the weight of coating shall average not less than 2.0 ounces per square foot of actual surface and no individual test shall show less than 1.8 ounces of coating per square foot of actual surface area.



SECTION PLAN AND SECTION

BILL OF MATERIALS FOR INLET-MANHOLE (SPECIAL)

Bar No.	Size	Length	Bar No.	Size	Length	Bar No.	Size	Length	Bar No.	Size	Length	Bar No.	Size	Length
V	#4		V	#4		V	#4		V	#4		V	#4	
C	#4		C	#4		C	#4		C	#4		C	#4	
D	#4		D	#4		D	#4		D	#4		D	#4	
h1	#4		h1	#4		h1	#4		h1	#4		h1	#4	
h2	#4		h2	#4		h2	#4		h2	#4		h2	#4	

BILL OF MATERIALS FOR INLET-MANHOLE (SPECIAL)

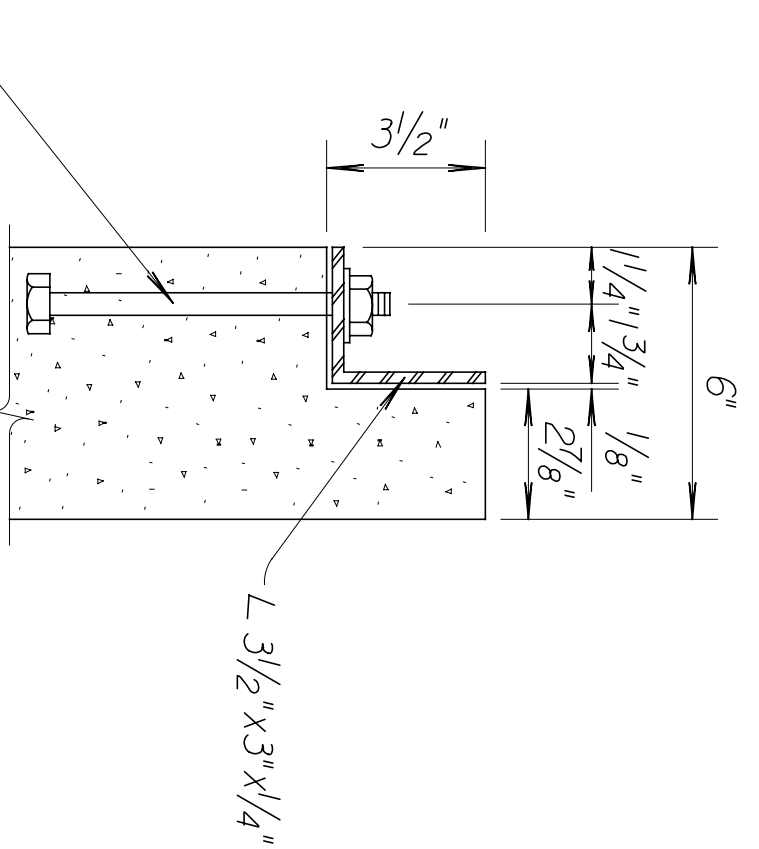
Grade	Conc.	Cu.Yd.	Grade	Conc.	Cu.Yd.	Grade	Conc.	Cu.Yd.	Grade	Conc.	Cu.Yd.	Grade	Conc.	Cu.Yd.
Grade 3.6	Conc.	1.04	Grade 3.6	Conc.	2.11	Grade 3.6	Conc.	1.55	Grade 3.6	Conc.	1.37	Grade 3.6	Conc.	
Reinf. steel		174	Reinf. steel		415	Reinf. steel		291	Reinf. steel		185	Reinf. steel		
Struct. steel		206	Struct. steel		206	Struct. steel		260	Struct. steel		260	Struct. steel		
Class III Excov.		5	Class III Excov.		10	Class III Excov.		7	Class III Excov.		6	Class III Excov.		

PIPE DIMENSIONS AND SPACING

L x W	No. of Bars	Dia. x Length x Spacing
4'-0" x 4'-0"	7	21/8" x 3'-4 1/4" pipes @ 5 1/2" ctrs. 4 1/2"

SECTION A-A

Note: Anchor bolts are subsidiary to the div item "Inlet-Manhole, Special".



STEP DETAILS

