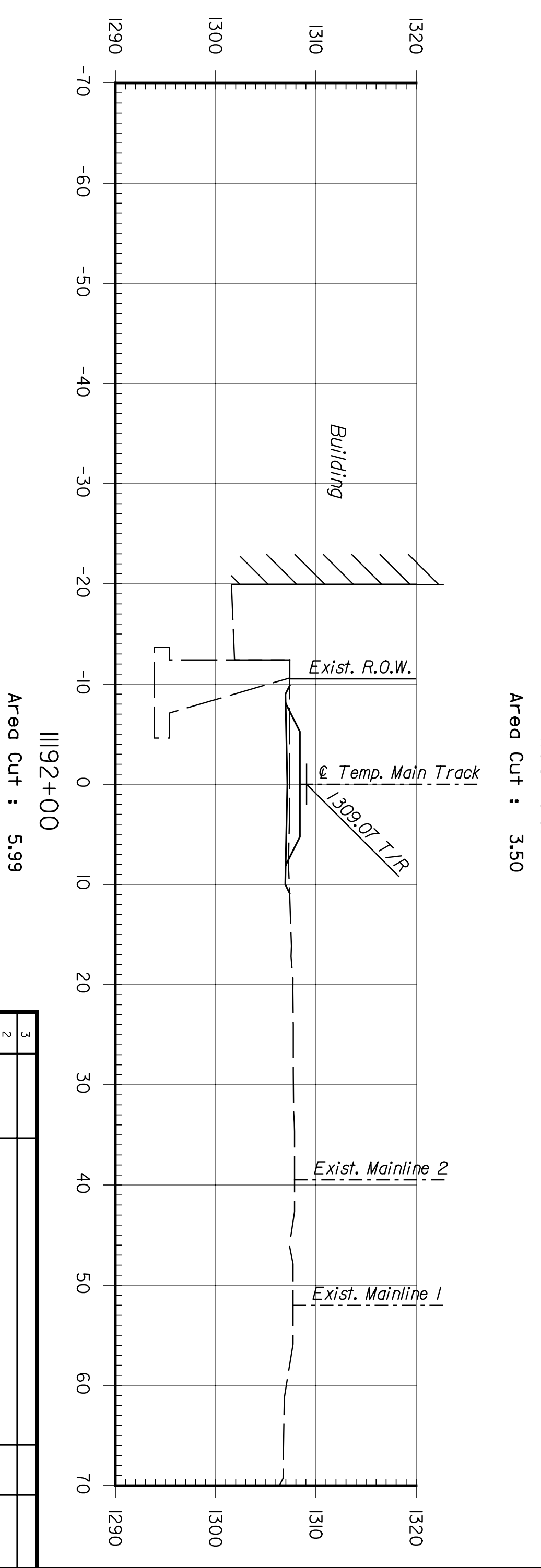
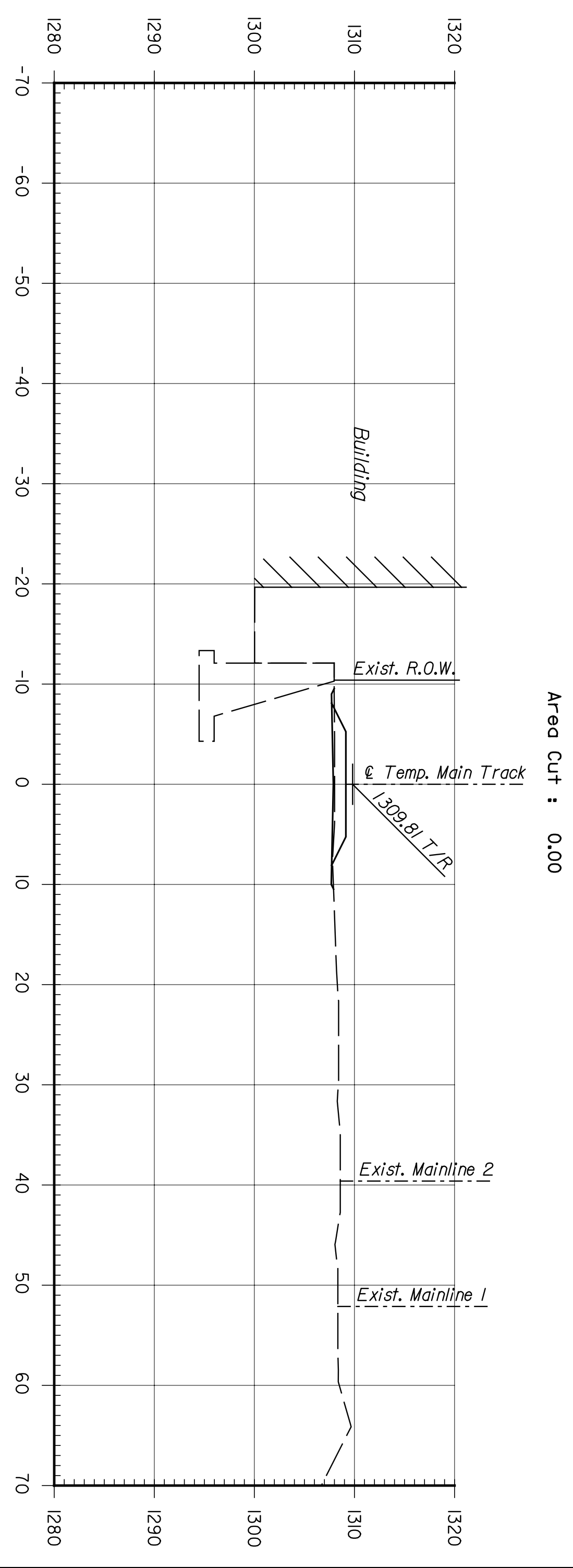
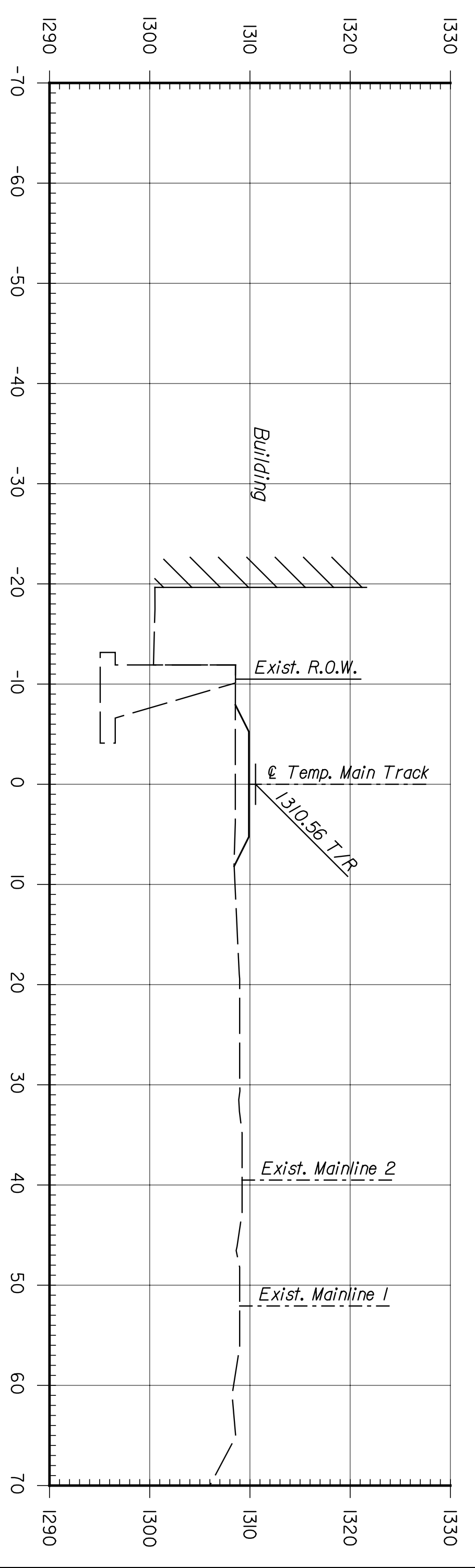
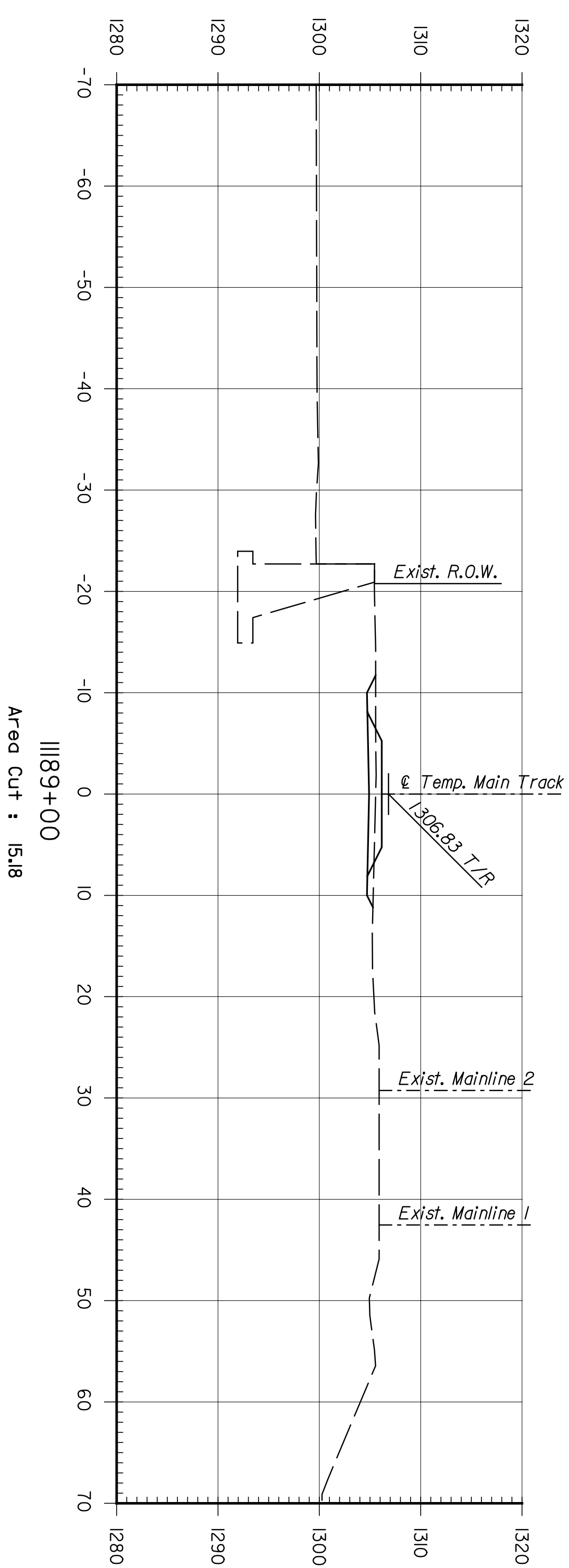
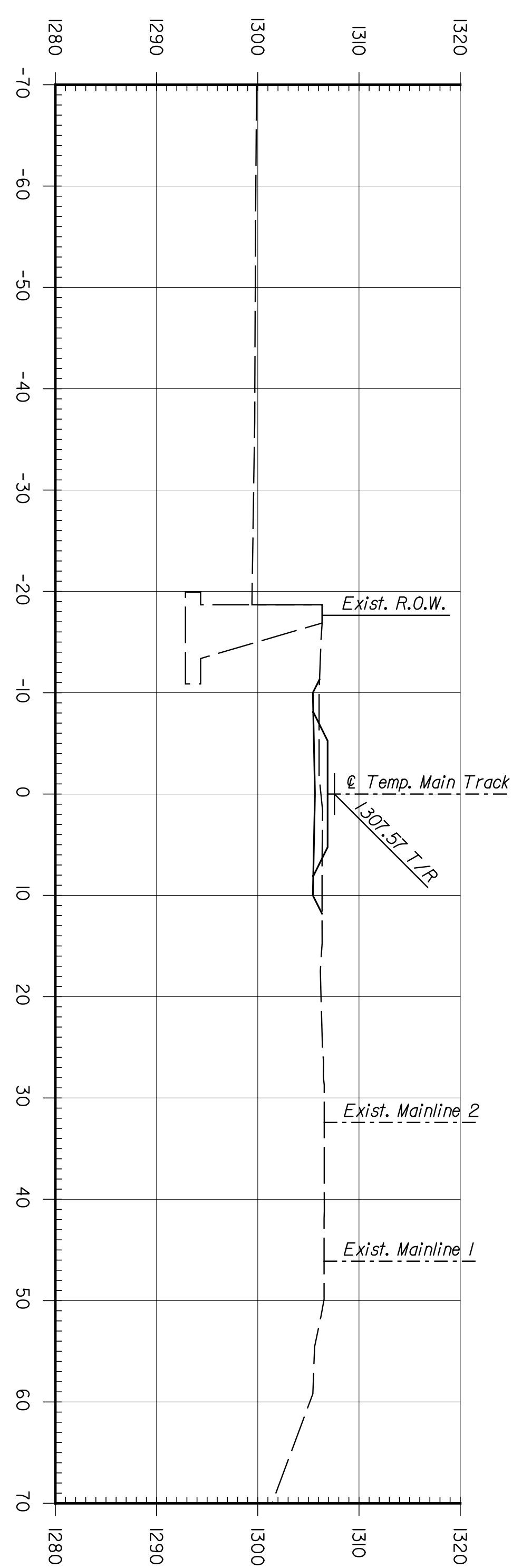
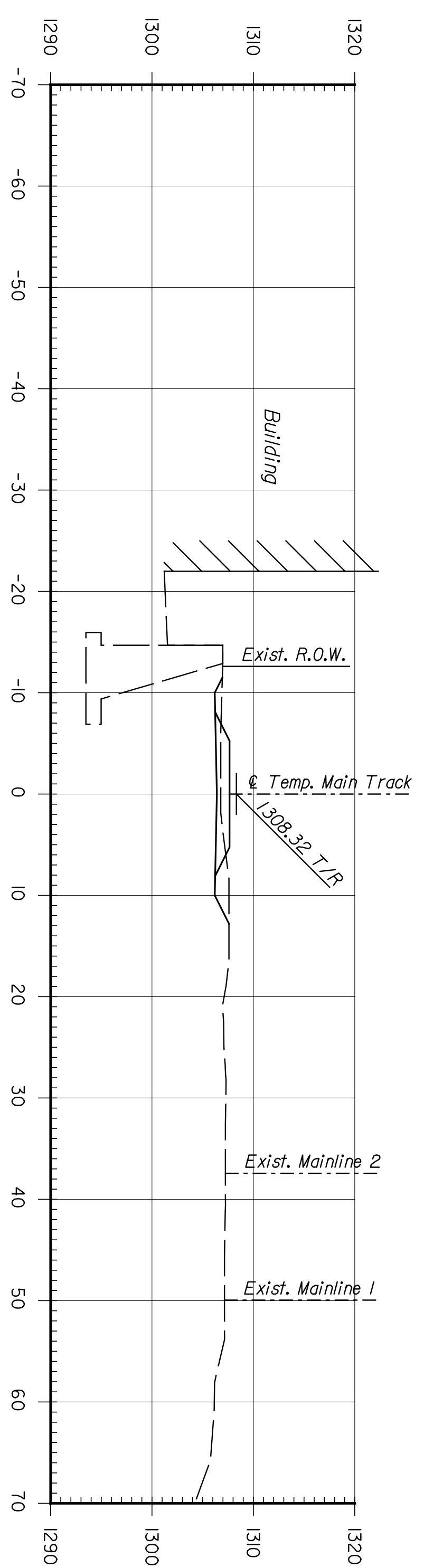


BY	DATE



STATE	PROJECT NO.	YEAR	SHEET NO.	TOTAL SHEETS
KANSAS	472-84071	2005	RL16	

CNTB
 ARCHITECTS ENGINEERS PLANNERS

This sheet designed by:

SHEET NO.	OF	SCALE	APP'D.	QUANTITIES	TRACED
1					
2					
3					

NO.	DATE	REVISIONS	BY	APP'D.

DESIGNED	REP	DETAILED	JDS	QUANTITIES	TRACED

DESIGN CR.	NSB	DETAIL CR.	REP	QUANTITIES	TRACED CR.

CITY OF WICHITA
WICHITA CENTRAL CORRIDOR
 PHASE I - TRACK WORK
 TEMPORARY MAIN TRACK
 CROSS SECTIONS