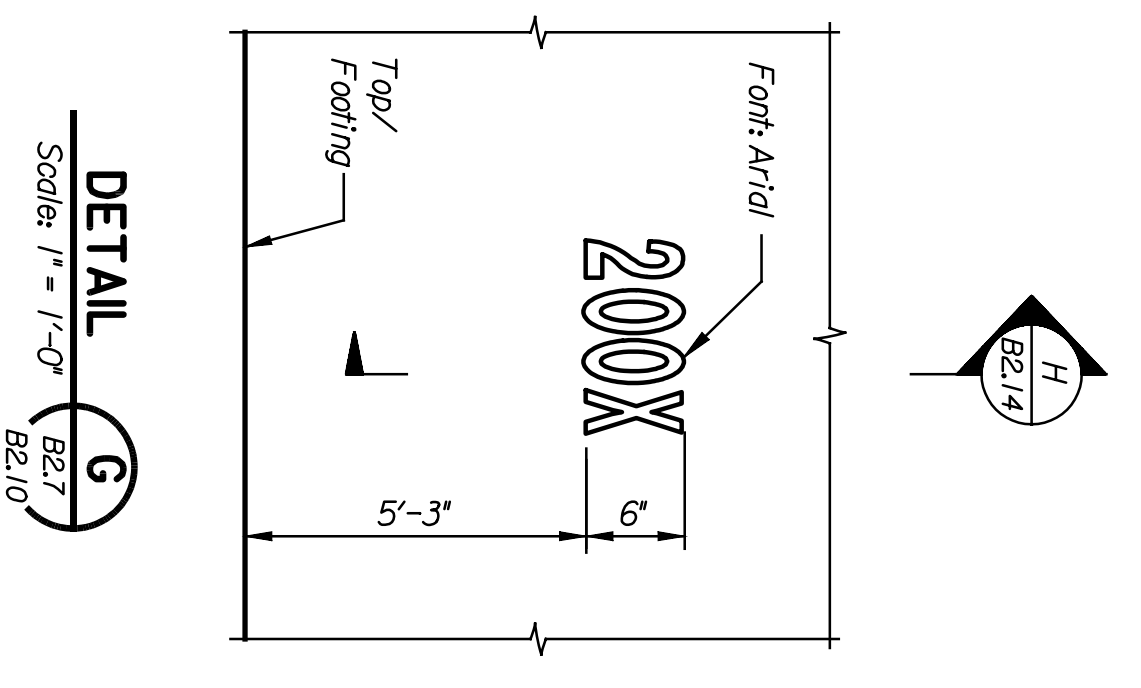
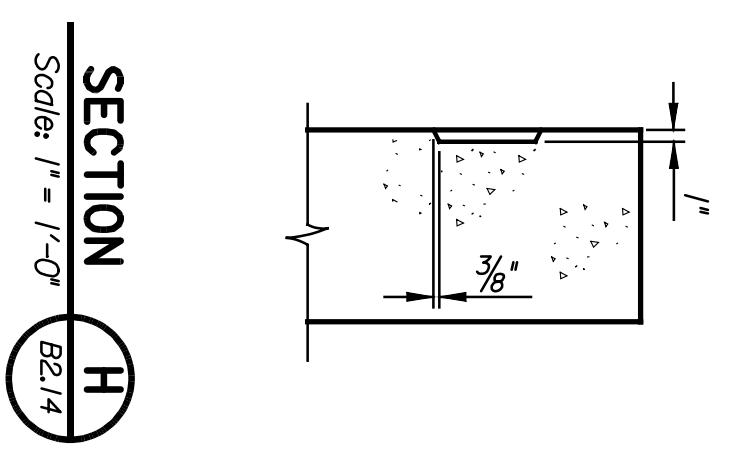
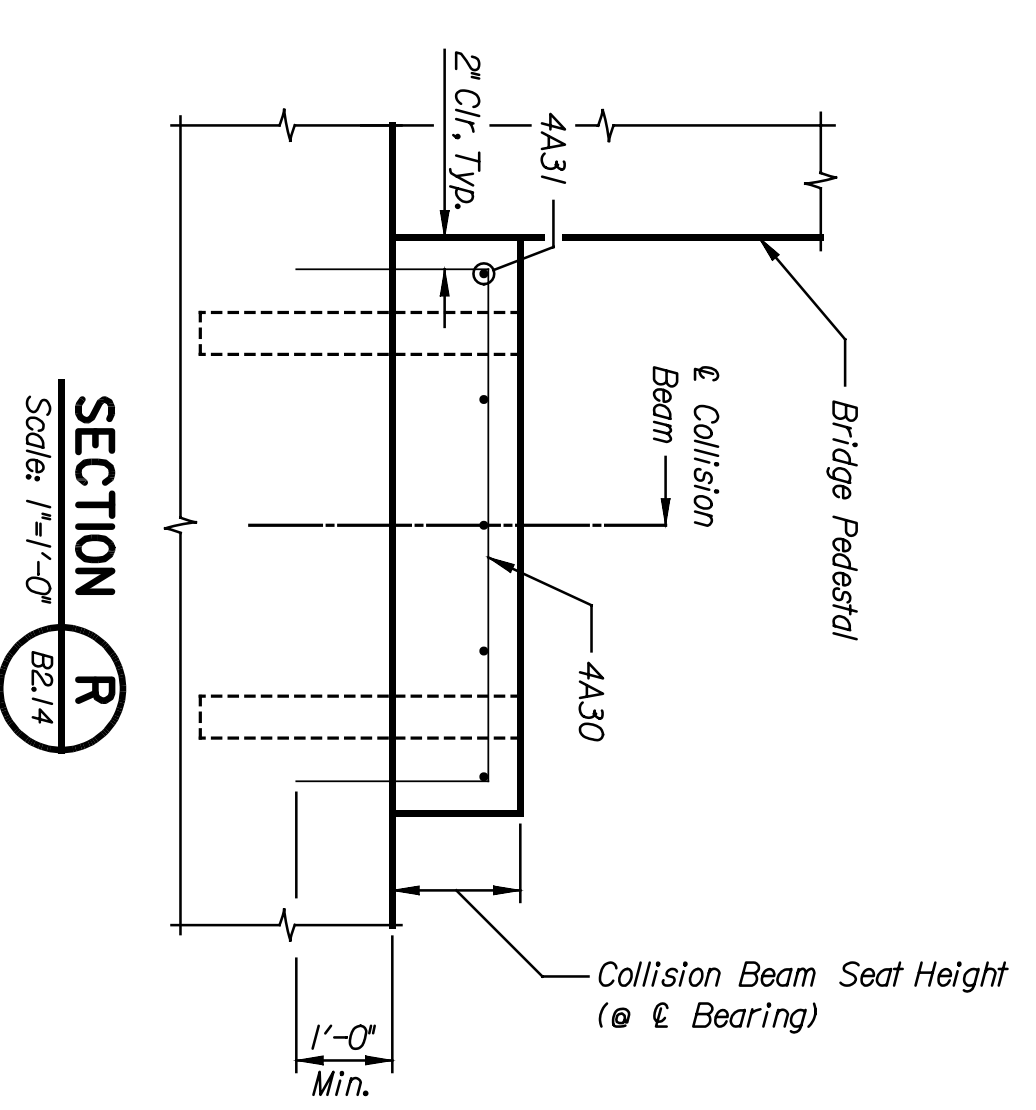
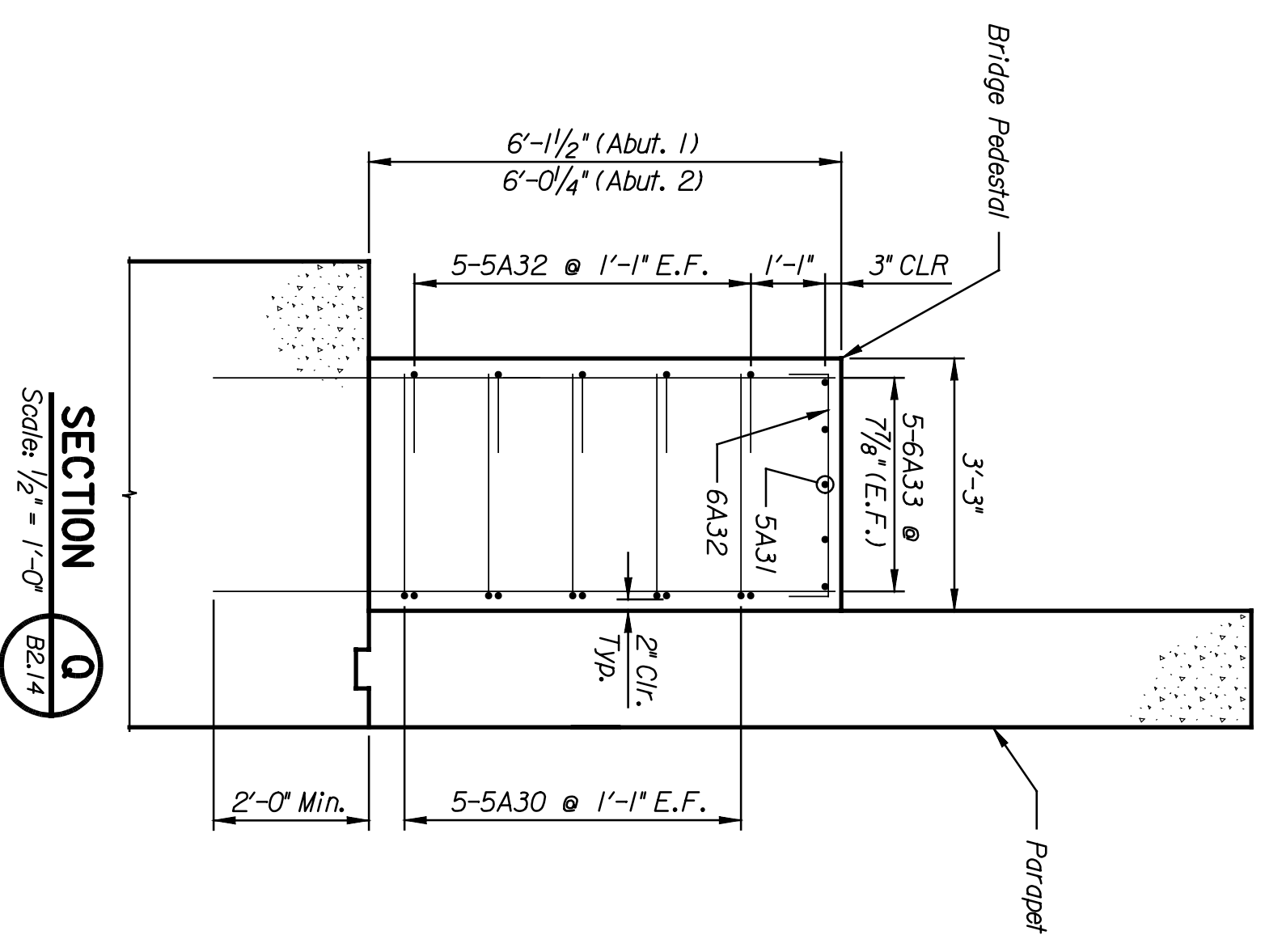
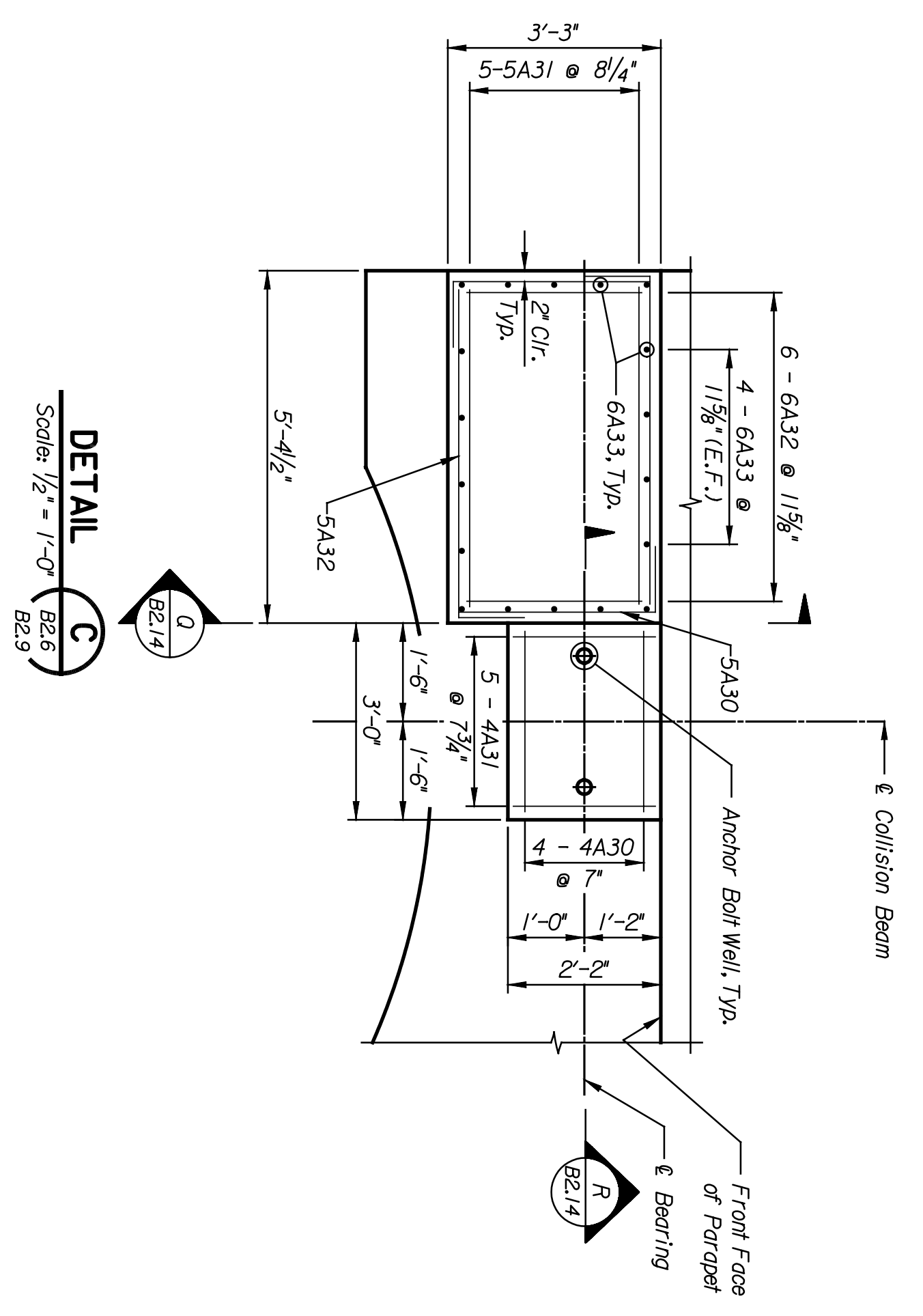


BY	DATE



NOTE:
 Adjust reinforcing to maintain clear cover to concrete surfaces.
 The year of construction shall be as directed by the Engineer.

STATE	PROJECT NO.	YEAR	SHEET NO.	TOTAL SHEETS
KANSAS	472-84071	2005	B2.14	

NOTES:
 Refer to Abutment No. 1 for Abutment Notes.

COLLISION BEAM SEAT HEIGHTS			
ABUTMENT	CORNER	EAST	WEST
1		9 7/8"	7 1/4"
2		8 1/8"	6"

LOCATION: RWSF BR. 201A	WICHITA, KS	LINE SEGMENT 7400		
SHEET NO. 3	OF 3	SCALE AS NOTED		
DESIGNED: CWS	DETAILED: CWS	QUANTITIES: DJL		
DESIGN CK: CWS	DETAIL CK: JWH	DRAWN: DJL		
		TRACED: DJL		
		FRAME CK: DJL		
		DNH		
CITY OF WICHITA				
WICHITA CENTRAL CORRIDOR				
13TH STREET				
ABUTMENT DETAILS				
NO.	DATE	REVISIONS	BY	APP'D.
1				
2				
3				

This sheet designed by:
PNTB
 ARCHITECTS ENGINEERS PLANNERS