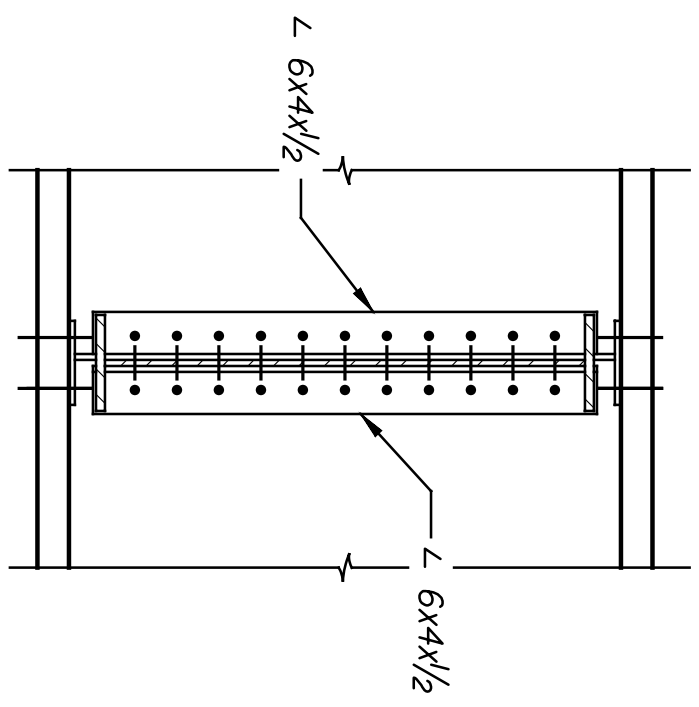
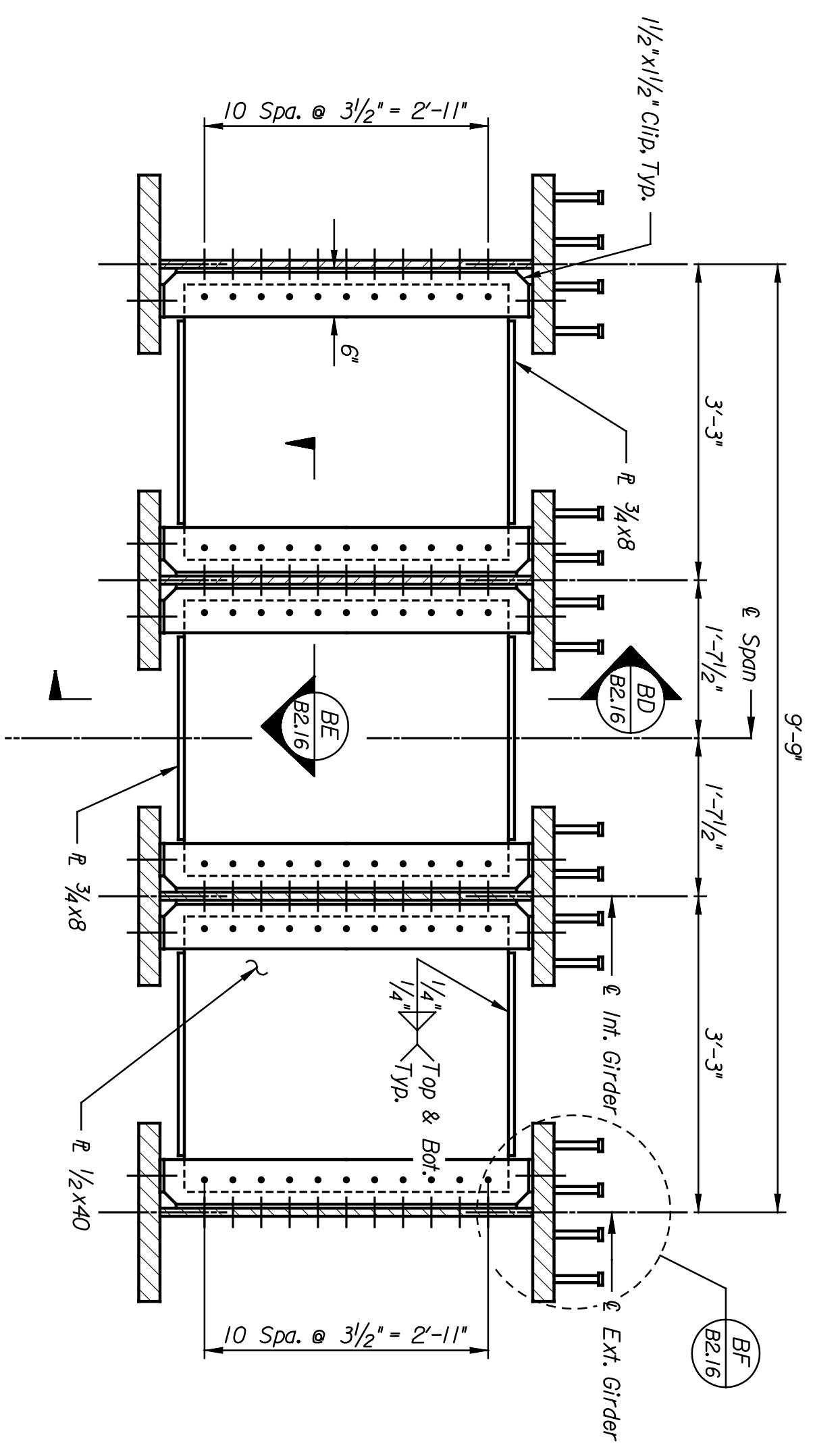


BY	DATE

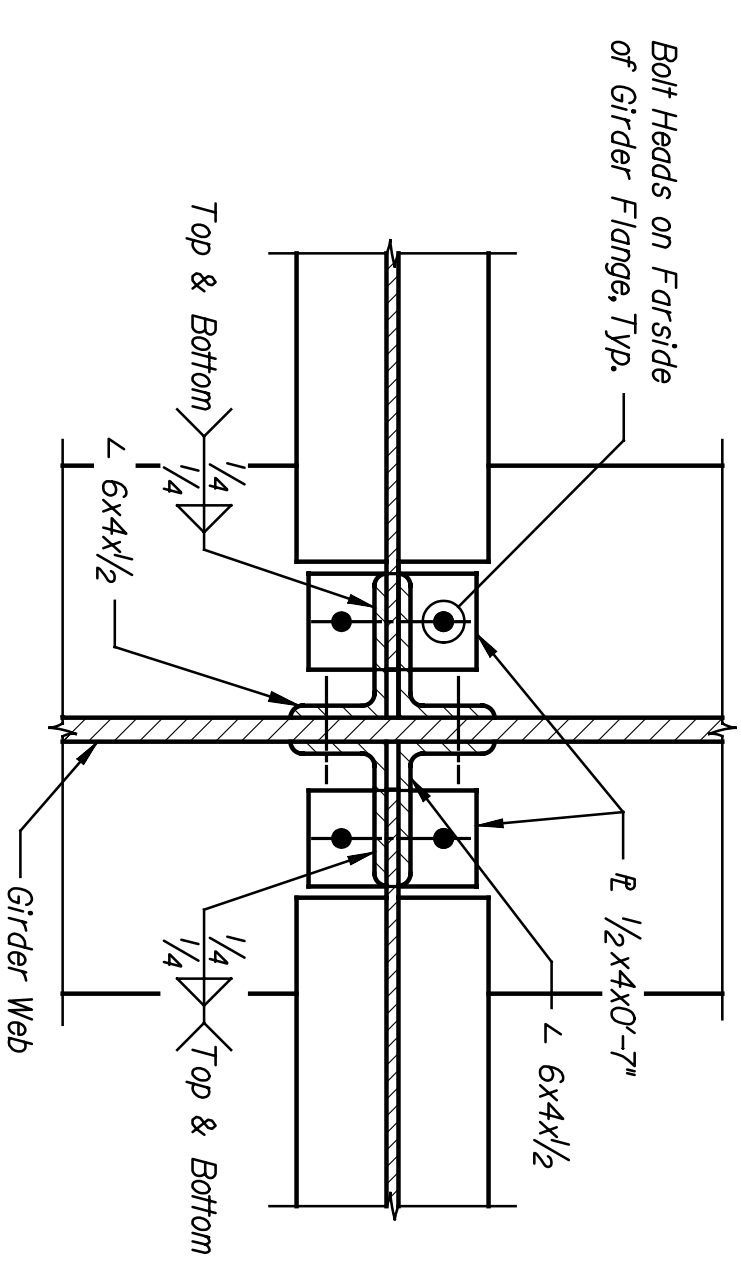
Plotted on: 04-JAN-2005 13:02 \*time\*  
 dJamison Plot Queue: #queue\*  
 Plot Scale: #scale\* Pen Table: #pentables\*  
 Design Filename: k:\b29049\BridgesDec2004\Base Bld\13thStreet\drawings\t14.dgn.



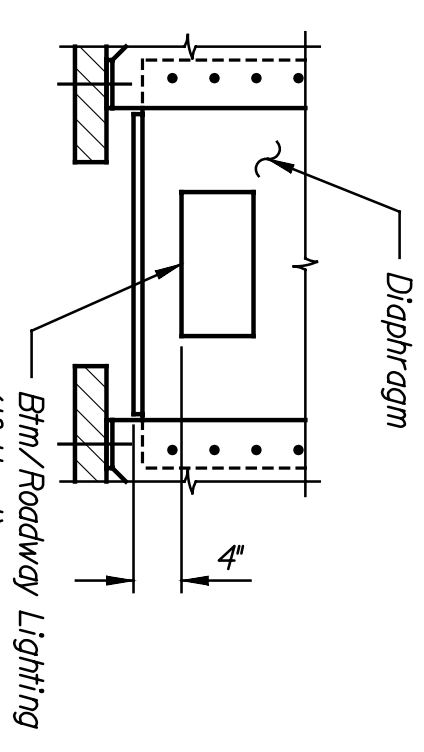
**SECTION BD**  
 Scale: 3/4" = 1'-0" B2.16



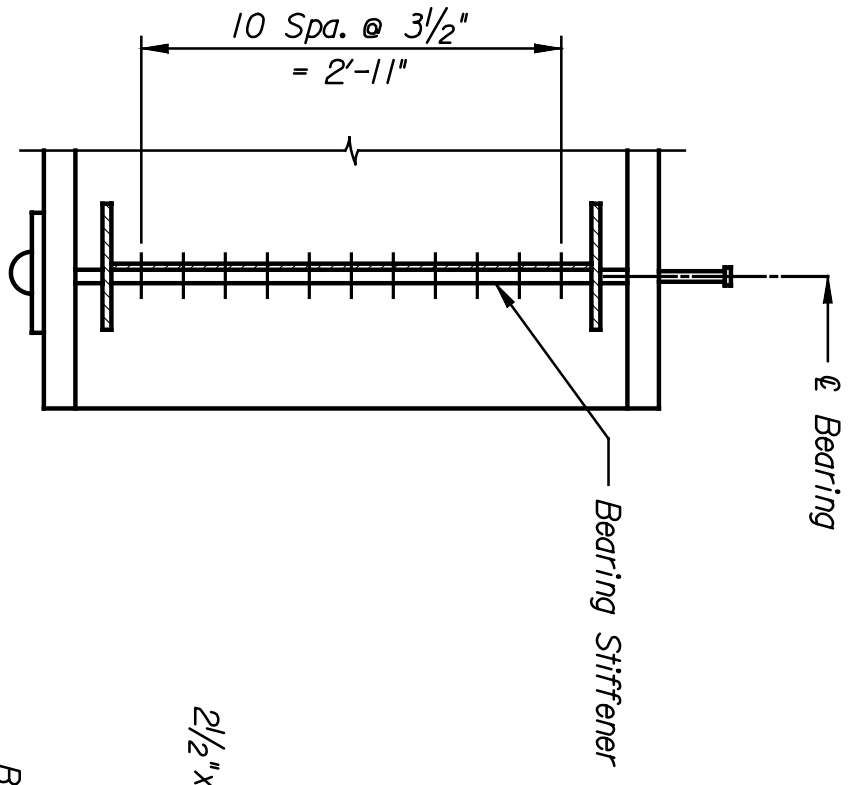
**SECTION BA**  
 Scale: 3/4" = 1'-0" B2.15



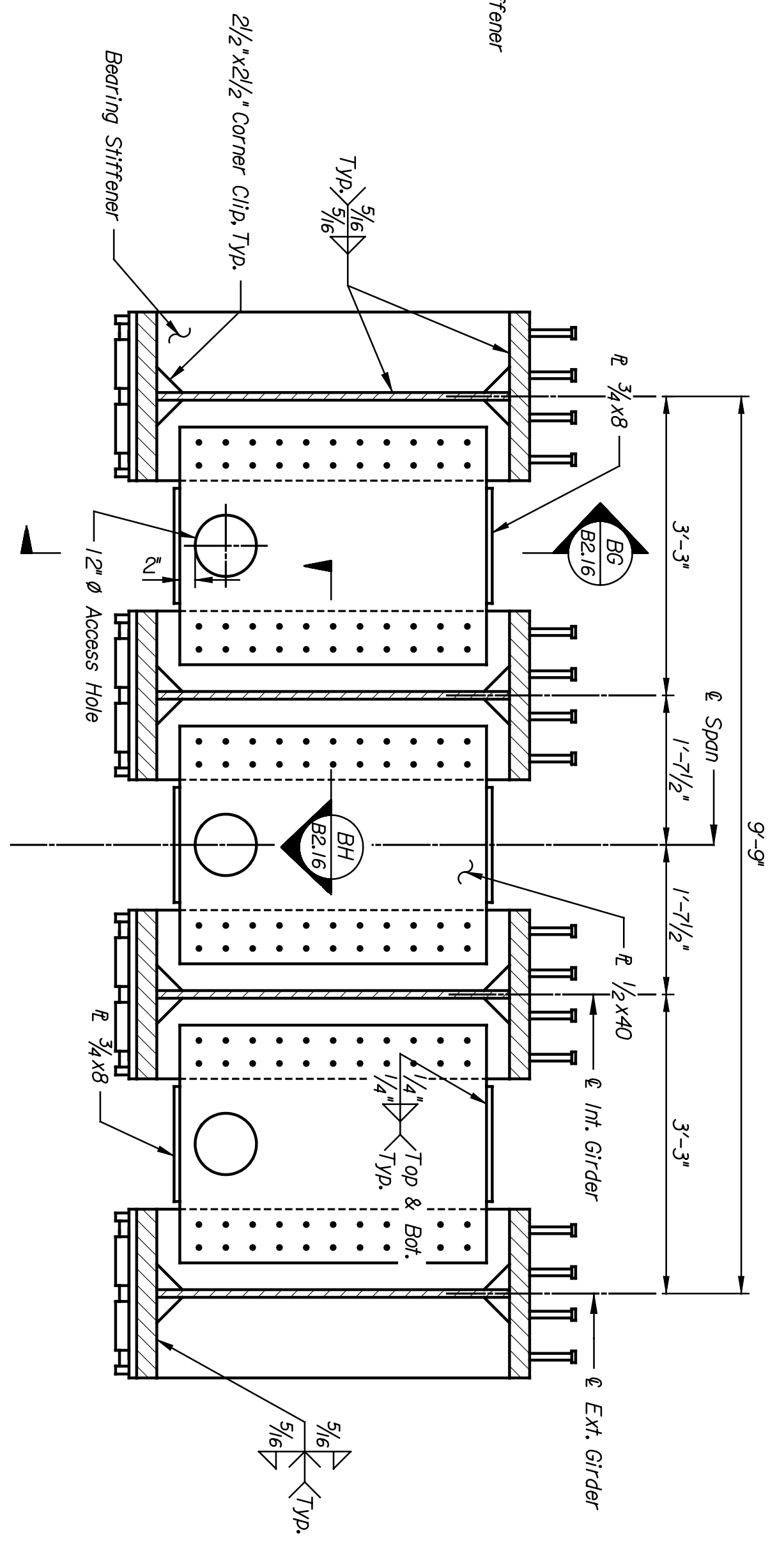
**SECTION BF**  
 Scale: 1/2" = 1'-0" B2.16



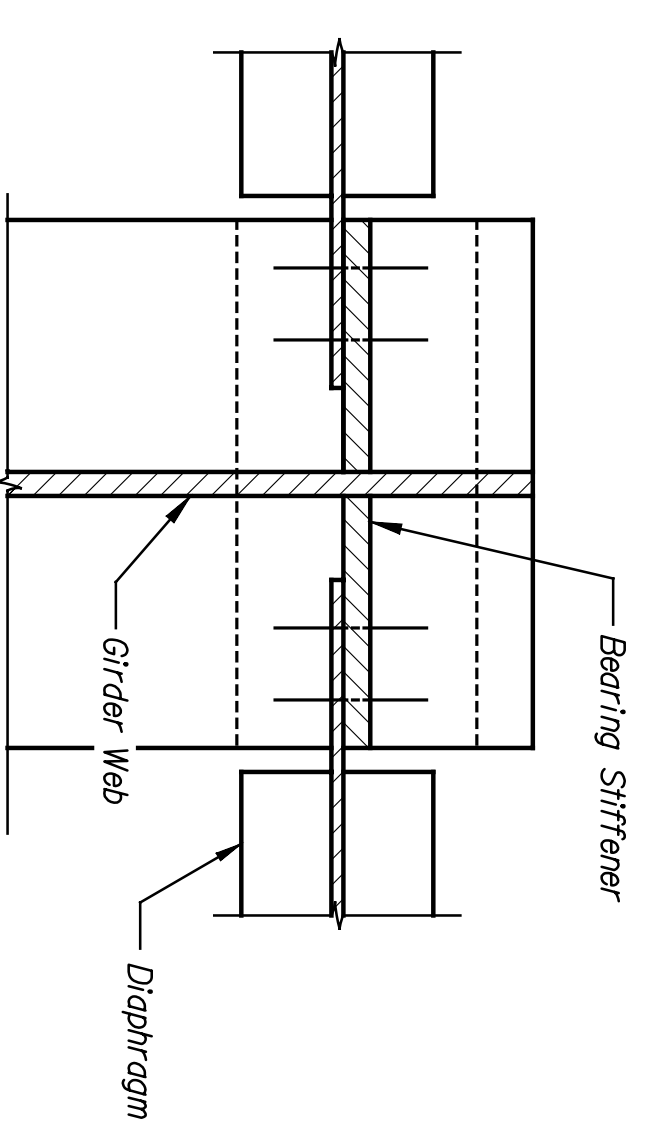
**SECTION BT**  
 Scale: 3/4" = 1'-0" B2.15



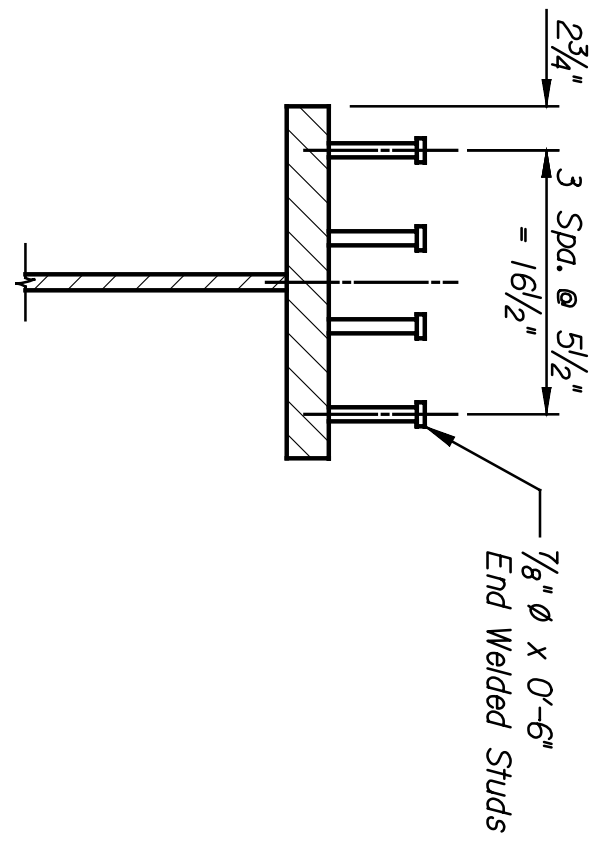
**SECTION BG**  
 Scale: 3/4" = 1'-0" B2.16



**SECTION BH**  
 Scale: 3/4" = 1'-0" B2.15



**SECTION BH**  
 Scale: 1/2" = 1'-0" B2.16



**DETAIL BF**  
 Scale: 1" = 1'-0" B2.16

This sheet designed by:



ARCHITECTS ENGINEERS PLANNERS

STATE	PROJECT NO.	YEAR	SHEET NO.	TOTAL SHEETS
KANSAS	472-84071	2005	B2.16	

LOCATION: PMSF BR. 201A	WICHITA, KS	LINE SEGMENT 7400	
<b>CITY OF WICHITA</b> <b>13TH STREET</b> <b>TYPICAL SUPERSTRUCTURE DETAILS</b>			
SHEET NO.	OF	SCALE: AS NOTED	APP'D.
DESIGNED: GAB	DETAILED: ELY	QUANTITIES: DJL	TRACED: DJL
DRAWN: GAB	CHECKED: DJL	DATE: 01/04/05	DATE: 01/04/05
REVISIONS NO. DATE BY APP'D.			
1			
2			
3			